

HINKLEY

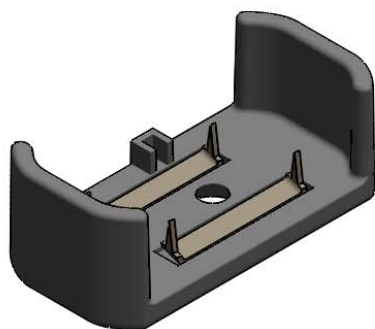
LANDSCAPE LIGHTING

1507QC Quick Connect

The 1507QC is for use with SPT type wire only.

Maximum wire size from the transformer is 12AWG.

- 1). Remove screw with Philips Head screw driver.
- 2). Separate the two parts of the connector body.
- 3). Place pass through wire from transformer into large area labeled **"Two Wire"**.
- 4). Place wire from fixture into the smaller area.
- 5). Place top over bottom and press downward. The internal barbs will pierce both wires insulation making electrical contact.
- 6). Replace screw to secure quick connector assembly.



Top of Connector has internal barbs that cut into wire insulation

