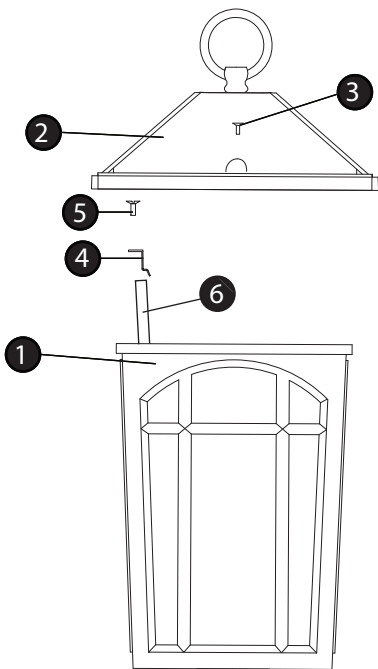


Item No. 1982

Drawing 1 - Glass Replacement



▼ start here

1

1. Find a clear area in which you can work.
2. Unpack fixture and glass from carton.
3. Carefully review instructions prior to assembly.

*** The construction of this fixture will be accomplished by first making all necessary electrical connections, and then hanging the fixture from the ceiling.

SAFETY WARNING: READ WIRING AND GROUNDING INSTRUCTIONS (I.S. 18) AND ANY ADDITIONAL DIRECTIONS. TURN POWER SUPPLY OFF DURING INSTALLATION. IF NEW WIRING IS REQUIRED, CONSULT A QUALIFIED ELECTRICIAN OR LOCAL AUTHORITIES FOR CODE REQUIREMENTS.

Make electrical connections from supply wire to fixture lead wires. Refer to instruction sheet (I.S. 18) and follow all instructions to make all necessary wiring connections. Then refer to the hanging instruction sheet (I.S.) provided to complete installation of this fixture.

2

Glass Replacement Instructions - see Drawing 1.

1. Remove roof (2) from cage (1) by unscrewing the phillips heads screws (3) on top edge of roof.
2. Remove the glass clips (4) by removing the screws (5) that hold them in place.
3. Pull up on glass panel (6) and remove.
4. To replace the glass follow steps 1-3 in reverse order.

6.1.12