

SPECTRA

FR37554

Bulbs: 100W MED.

ASSEMBLY INSTRUCTIONS

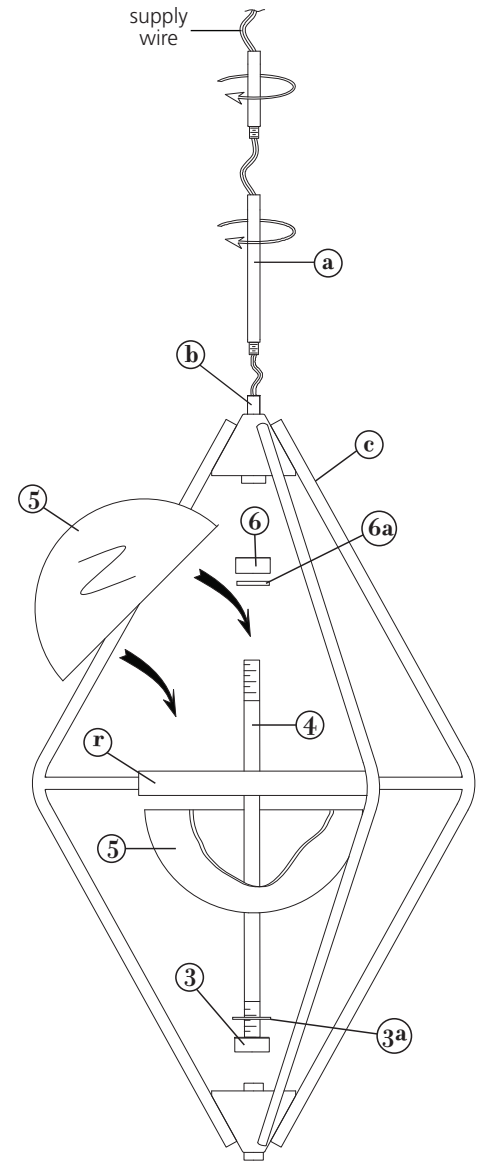
Assembly of this fixture will be accomplished by first determining the length of stem required, attaching the mounting strap to the junction box, making all necessary electrical connections, and hanging the fixture from the ceiling.

SAFETY WARNING: Read wiring and grounding instructions [FRIS 18] and any additional directions. Turn power supply off during installation. If new wiring is required, consult a qualified electrician or local authorities for code requirements.

STEP 1

- 1 Determine the overall length you will need the assembled fixture to be.
- 2 Determine what stems will be needed to achieve the overall length you require. (Additional stems are available and can be ordered. Ask your local Fredrick Ramond representative or visit www.fredrickramond.com for information.
- 3 Install first stem (a) by slipping it along the supply wire of the fixture, and threading it into decorative coupler (b) of cage assembly (c) - see **Drawing 1**.
- 4 Continue adding stems (a) until determined length is achieved.
- 5 Fixture is ready for installation. Follow instruction sheet [FRIS19-91] provided.
- 6 After installation fixture can be lamped accordingly and glass installed.
- 7 To install glass, thread one of the decorative knobs (3) onto one end of center tube (4) and slip plastic washer (3a) onto center tube (4).
- 8 Slip bottom piece of glass (5) into bottom of cage (c), slip center tube (4) through center hole of bottom glass (5), lift glass into center ring (r), making sure glass seats inside ring, and hold parts in position. Note: both pieces of glass are the same.
- 9 Slip top glass (5) into top of cage assembly (c), and slip center hole of glass onto center tube (4) and down onto center ring (r) making sure seats inside ring.
- 10 Slip second plastic washer (6a) onto center tube (4) and thread decorative knob (6) onto end of center tube to secure glass pieces (5).
- 11 Fixture is complete and power can be restored.

[DRAWING 1]



FREDRICK RAMOND
ESTABLISHED 1965

A Division of Hinkley Lighting, Inc.
33000 PIN OAK PARKWAY | AVON LAKE, OHIO 44012
toll free 800.446.5539 | phone 440.653.5500

WIRING AND GROUNDING INSTRUCTIONS

SAFETY WARNING: Read wiring and grounding instructions [FRIS 18] and any additional directions. Turn power supply off during installation. If new wiring is required, consult a qualified electrician or local authorities for code requirements.

STEP 1 WIRING INSTRUCTIONS

Indoor Fixtures

- 1 Connect positive supply wire (a) (typically black or the smooth, unmarked side of the two-conductor cord) to positive fixture lead (b) with appropriately sized twist on connector - See Drawings 1 or 2.
- 2 Connect negative supply wire (c) (typically white or the ribbed, marked side of the two-conductor cord) to negative fixture lead (d).
- 3 Please refer to the grounding instructions below to complete all electrical connections.

Outdoor Fixtures

- 1 Connect positive supply wire (a) (typically black or the smooth unmarked side of the two-conductor cord) to positive fixture lead (b) with appropriately sized twist on connector - See Drawings 2 or 3.
- 2 Connect negative supply wire (c) (typically white or the ribbed, marked side of the two-conductor cord) to negative fixture lead (d).
- 3 Cover open end of connectors with silicone sealant to form a watertight seal.
 - If installing a wall mount fixture, use caulk to seal gaps between the fixture mounting plate (backplate) and the wall. This will help prevent water from entering the outlet box. If the wall surface is lap siding, use caulk and a fixture mounting platform specially.
- 4 Please refer to the grounding instructions below to complete all electrical connections.

STEP 2 GROUNDING INSTRUCTIONS

Flush Mount Fixtures

For positive grounding in a 3-wire electrical system, fasten the fixture ground wire (e) (typically copper or green plastic coated) to the fixture mounting strap (1) with the ground screw (2) - See Drawing 1.

Note: On straps for screw supported fixtures, first install the two mounting screws in strap.

Any remaining tapped hole may be used for the ground screw.

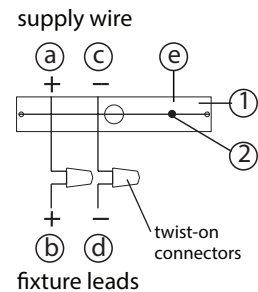
Chain Hung Fixtures

Loop fixture ground wire (e) (typically copper or green plastic coated) under the head of the ground screw (2) on fixture mounting strap (1) and connect to the loose end of the fixture ground wire directly to the ground wire of the building system with appropriately sized twist-on connectors - See Drawing 2.

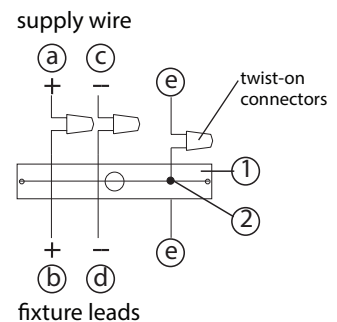
Post-Mount Fixtures

Connect fixture ground wire (e) (typically copper or green plastic coated) to power supply ground with appropriately sized twist-on connector inside post. Cover open end of connector with silicone sealant to form a watertight seal - See Drawing 3.

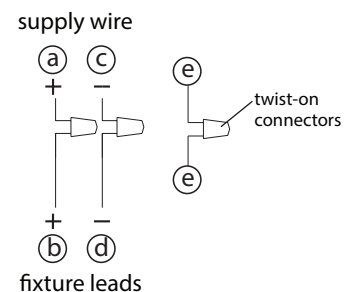
[drawing 1]



[drawing 2]



[drawing 3]



FREDRICK RAMOND
ESTABLISHED 1965

A Division of Hinkley Lighting, Inc.
33000 PIN OAK PARKWAY | AVON LAKE, OHIO 44012
toll free 800.446.5539 | phone 440.653.5500

FRIS19-91

SAFETY WARNING: Read wiring and grounding instructions [FRIS 18] and any additional directions. Turn power supply off during installation. If new wiring is required, consult a qualified electrician or local authorities for code requirements.

STEP 1

- 1 Shut off electrical current before starting. If the fixture you are replacing is turned on and off by a wall switch, simply turn the switch off. If not, remove the appropriate fuse (or open the circuit breakers) until the fixture is dead.
 - DO NOT restore current - either by fuse, breaker or switch - until the new fixture is completely wired and in place.

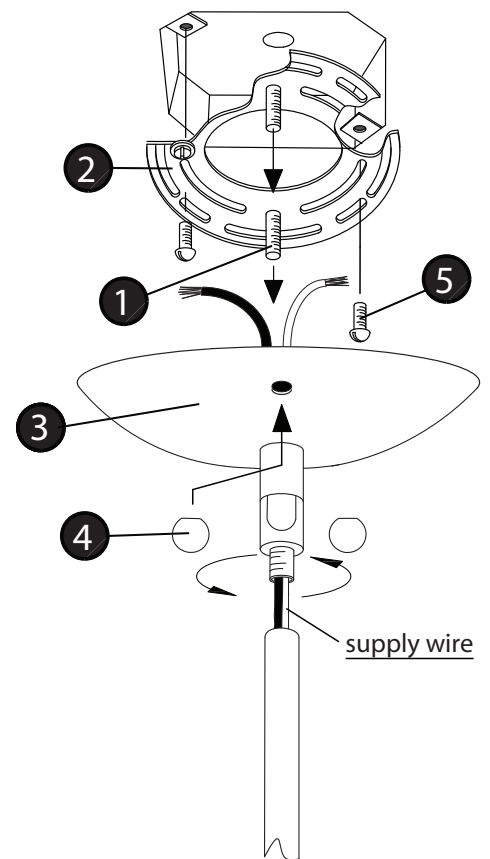
STEP 2

Slip canopy assembly with swivel (3) along wire and thread onto top of rods that are attached to fixture.

STEP 3

Thread two long 8-32 (1) screws provided into the mounting strap (2).
Note: the two screws should be threaded into holes that line up with the holes in the canopy (3) - see Drawing 1.
Attach mount strap (2) to junction box with two short 8-32 screws (5).
Make wire connections following the instructions on (I.S.18) instruction sheet provided.
Slip canopy/fixture over screws (1) and secure fixture with ball knobs (4).

Drawing 1 - Mounting instructions



FREDRICK RAMOND
ESTABLISHED 1965

800.421.3517 WWW.FREDRICKRAMOND.COM
01.01.12