

BROADWAY

FR41436PAL

Bulbs: 60W G-9.

Replacement Parts: GLASS: R41430GL

ASSEMBLY INSTRUCTIONS

Assembly of this fixture will be accomplished by first determining the length of stem required, attaching the mounting strap to the junction box, making all necessary electrical connections, hanging the fixture from the ceiling and then installing the fixture glass.

SAFETY WARNING: Read wiring and grounding instructions [FRIS 18] and any additional directions. Turn power supply off during installation. If new wiring is required, consult a qualified electrician or local authorities for code requirements.

STEP 1

- 1 Determine the overall length you will need the assembled fixture to be.
- 2 Determine what stems will be needed to achieve the overall length you require. (Additional stems are available and can be ordered. Ask your local Fredrick Ramond representative or visit www.fredrickramond.com for information.
- 3 Install stems by slipping them onto the supply wire of the fixture, threaded end up, and threading them together.
- 4 After all stem lengths required are assembled, slip wire through center of canopy swivel, slip canopy assembly along wire and thread into top of last stem. Fixture is ready for installation.

STEP 2

- 1 Attach mounting plate (a) to junction box (j) with screws not provided - See Drawing 1
- 2 Make all wiring connections following instruction sheet (FRIS 18) provided. Please follow all necessary precautions.
- 3 After all connections are made, slip canopy (c) over mounting plate (a) and hold in position while tightening screws (d). NOTE: As screws (d) are tighten canopy will move upward and be flush against the ceiling.
- 4 Installation is complete and fixture can now be lamped.

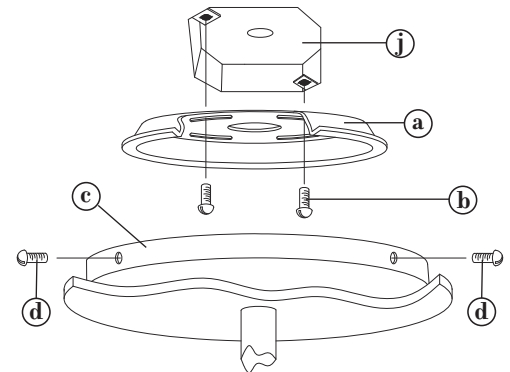
STEP 3

- 1 To lamp fixture remove glass retainer ring (2) from main body (1). NOTE: the glass retainer ring is held in position by spring tension and can be easily removed by pulling firmly on the edge at the split line. Retainer ring is attached to the fixture by a wire cable and will not fall when released - See Drawing 2.
- 2 Lamp fixture with bulbs provided and replace retainer ring by snapping in back in place.

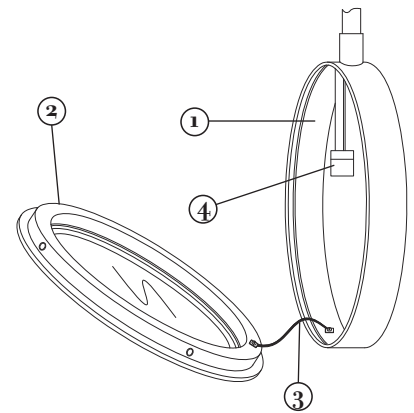
STEP 4

- 1 Glass is held in glass retainer ring by a "C" shape spring ring (r). To remove, replace, or install glass it is necessary to pinch the two short tabs (t) of the ring together, after glass is installed ring can be replaced in same manner - see Drawing 3.

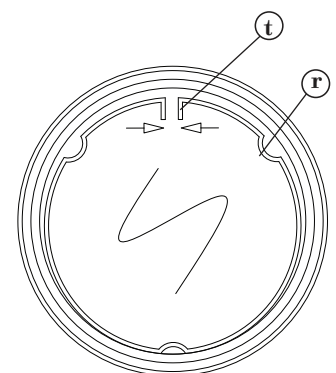
[DRAWING 1]



[DRAWING 2]



[DRAWING 3]



FREDRICK RAMOND

ESTABLISHED 1965

A Division of Hinkley Lighting, Inc.

33000 PIN OAK PARKWAY | AVON LAKE, OHIO 44012

toll free 800.446.5539 | phone 440.653.5500