

NEST

FR41614ORB/SLF

Bulbs: 100W MED. Replacement Parts: GLASS: R41614GL



ASSEMBLY INSTRUCTIONS

Assembly of this fixture will be accomplished by first assembling the main body, installing the mounting hardware to the junction box, making all necessary electrical connections, hanging the fixture from the ceiling and then installing the fixture glass.

SAFETY WARNING: Read wiring and grounding instructions [FRIS 18] and any additional directions. Turn power supply off during installation. If new wiring is required, consult a qualified electrician or local authorities for code requirements.

STEP 1

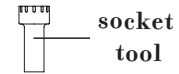
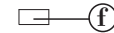
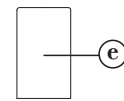
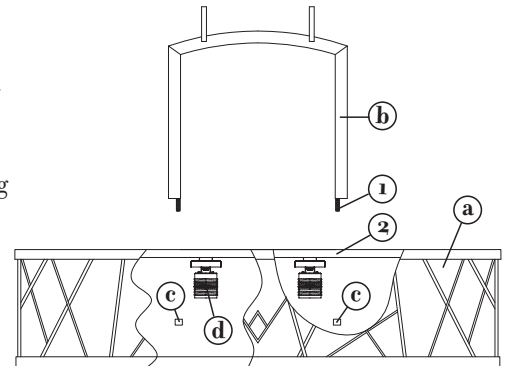
- 1 Slide yoke (b) along wire and slip studs (1) through holes in top of cross bar (2), making sure not to pinch any wires during the process.
- 2 Thread barrel nuts (c) onto end of studs (1) and tighten.

STEP 2 Refer to Hanging Instruction Sheet [FRIS19-75] to hang fixture.

STEP 3

- 1 To install glass, slip glass (e) over fixture socket (d) and hold in position.
- 2 Slip spacer (f) over socket (d).
- 3 Using socket tool provided, thread socket ring (g) onto socket (d) and tighten to secure glass (e).
- 4 Fixture can now be lamped accordingly.

[DRAWING 1]




FREDRICK RAMOND
ESTABLISHED 1965

A Division of Hinkley Lighting, Inc.
33000 PIN OAK PARKWAY | AVON LAKE, OHIO 44012
toll free 800.446.5539 | phone 440.653.5500

6.18.09

FRIS19-75

SAFETY WARNING: Read wiring and grounding instructions [FRIS 18] and any additional directions. Turn power supply off during installation. If new wiring is required, consult a qualified electrician or local authorities for code requirements.

STEP 1

- 1 Shut off electrical current before starting. If the fixture you are replacing is turned on and off by a wall switch, simply turn the switch off. If not, remove the appropriate fuse (or open the circuit breakers) until the fixture is dead.
 - DO NOT restore current - either by fuse, breaker or switch - until the new fixture is completely wired and in place.

STEP 2

- 1 Fasten mounting strap (1) to outlet box (a) with the original outlet box screws (2) - see Drawing 1.
- 2 Thread nipple (3) into mounting strap (1) approximately 3/8".

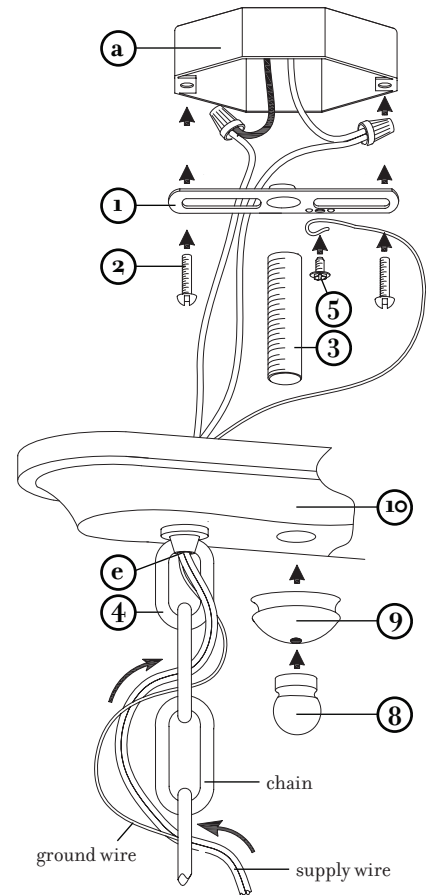
STEP 3

- 1 Take the chain, determine the length you require to hang the fixture.
- 2 Attach one end of the chain to the top loop of the fixture.
- 3 Attach other end of chain to loop (4) on canopy.

STEP 4

- 1 Unwrap supply wire and ground wire and weave them up through the chain.
- 2 Slip supply wire and ground wire through center hole (e) of loop (4).
Note: Get assistance for this step since fixture may be heavy and difficult to hold while attaching the chain.
- 3 Connect ground wire to mounting strap (1) using green ground screw (5).
- 4 Make electrical connections from supply wire to fixture lead wires. Refer to instruction sheet (FRIS 18) and follow all instructions to make all necessary wiring connections.
- 5 Slip canopy (10) over nipple (3) and up against ceiling.
- 6 Thread decorative finial (8) onto end of nipple (3) or on some fixtures slip decorative cap (9) onto nipple (3) then thread decorative finial (8) onto nipple (3).

[DRAWING 1]



FREDRICK RAMOND

ESTABLISHED 1965

A Division of Hinkley Lighting, Inc.

33000 PIN OAK PARKWAY | AVON LAKE, OHIO 44012

toll free 800.446.5539 | phone 440.653.5500

WIRING AND GROUNDING INSTRUCTIONS

SAFETY WARNING: Read wiring and grounding instructions [FRIS 18] and any additional directions. Turn power supply off during installation. If new wiring is required, consult a qualified electrician or local authorities for code requirements.

STEP 1 WIRING INSTRUCTIONS

Indoor Fixtures

- 1 Connect positive supply wire (a) (typically black or the smooth, unmarked side of the two-conductor cord) to positive fixture lead (b) with appropriately sized twist on connector - See Drawings 1 or 2.
- 2 Connect negative supply wire (c) (typically white or the ribbed, marked side of the two-conductor cord) to negative fixture lead (d).
- 3 Please refer to the grounding instructions below to complete all electrical connections.

Outdoor Fixtures

- 1 Connect positive supply wire (a) (typically black or the smooth unmarked side of the two-conductor cord) to positive fixture lead (b) with appropriately sized twist on connector - See Drawings 2 or 3.
- 2 Connect negative supply wire (c) (typically white or the ribbed, marked side of the two-conductor cord) to negative fixture lead (d).
- 3 Cover open end of connectors with silicone sealant to form a watertight seal.
 - If installing a wall mount fixture, use caulk to seal gaps between the fixture mounting plate (backplate) and the wall. This will help prevent water from entering the outlet box. If the wall surface is lap siding, use caulk and a fixture mounting platform specially.
- 4 Please refer to the grounding instructions below to complete all electrical connections.

STEP 2 GROUNDING INSTRUCTIONS

Flush Mount Fixtures

For positive grounding in a 3-wire electrical system, fasten the fixture ground wire (e) (typically copper or green plastic coated) to the fixture mounting strap (1) with the ground screw (2) - See Drawing 1.

Note: On straps for screw supported fixtures, first install the two mounting screws in strap.

Any remaining tapped hole may be used for the ground screw.

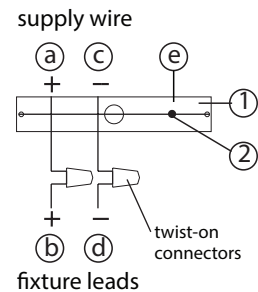
Chain Hung Fixtures

Loop fixture ground wire (e) (typically copper or green plastic coated) under the head of the ground screw (2) on fixture mounting strap (1) and connect to the loose end of the fixture ground wire directly to the ground wire of the building system with appropriately sized twist-on connectors - See Drawing 2.

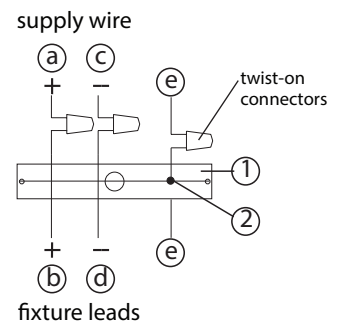
Post-Mount Fixtures

Connect fixture ground wire (e) (typically copper or green plastic coated) to power supply ground with appropriately sized twist-on connector inside post. Cover open end of connector with silicone sealant to form a watertight seal - See Drawing 3.

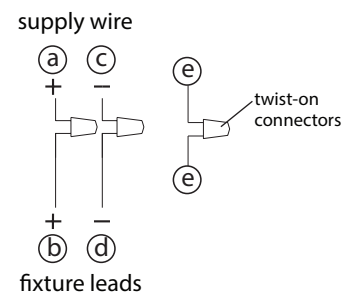
[drawing 1]



[drawing 2]



[drawing 3]



FREDRICK RAMOND
ESTABLISHED 1965

A Division of Hinkley Lighting, Inc.
33000 PIN OAK PARKWAY | AVON LAKE, OHIO 44012
toll free 800.446.5539 | phone 440.653.5500