

MILAN

FR52124PCM, FR52124BNI

Bulbs: 60W G9

Replacement Parts: GLASS: FR52120GL



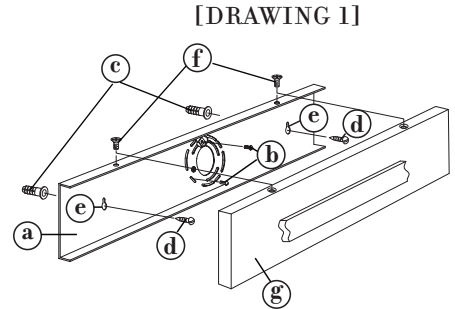
ASSEMBLY INSTRUCTIONS

Assembly of this fixture will be accomplished by first installing the mounting strap to the junction box, making all necessary electrical connections, mounting the fixture to the wall and then installing the fixture glass.

SAFETY WARNING: Read wiring and grounding instructions [FRIS 18] and any additional directions. Turn power supply off during installation. If new wiring is required, consult a qualified electrician or local authorities for code requirements.

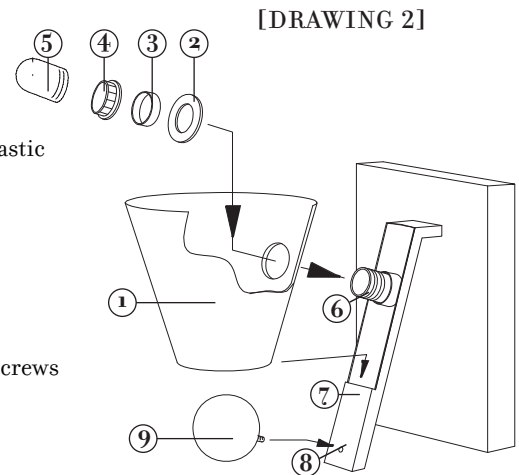
STEP 1

- 1 Remove mounting screws (f) from backplate (g) - See Drawing 1.
- 2 Remove retainer plate (a) from insied of backplate (g).
- 3 Attach retainer plate (a) to junction box using 2 screws (b).
- 4 Additional support can be provided for retainer plate (a) by installing the plastic wall anchors (c) and wood screws (d) in the keyhole slots (e).
- 5 Make electrical connections from supply wire to fixture lead wires. Refer to instruction sheet [FRIS18] and follow all instructions to make all necessary wiring connections. Then refer back to this sheet to continue installation of this fixture.
- 6 To mount fixture, slip the back plate (g) over retainer plate (a) and thread in screws (f) to secure fixture to wall - See Drawing 1.



STEP 2

- 1 Remove threaded socket ring (4), spacer (3) and washer (2) from socket (6) - See Drawing 2.
- 2 Slip hole in glass (1) over socket (6) making sure bottom edge of glass rests on ledge (7).
- 3 Slip washer (2) followed by spacer (3) onto socket (6).
- 4 Thread socket ring (4) onto socket and tighten to secure glass.
- 5 Fixture can now be lamped accordingly.
- 6 Bulb shield (5) can now be threaded onto socket.
- 7 Thread decorative sphere (9) into hole (8) to complete fixture



FREDRICK RAMOND
ESTABLISHED 1965

800.421.3517 WWW.FREDRICKRAMOND.COM

11.4.09