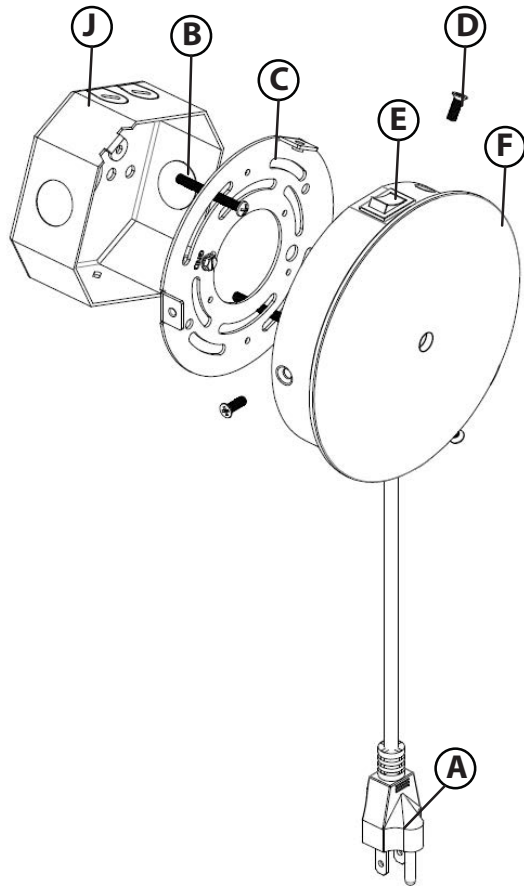
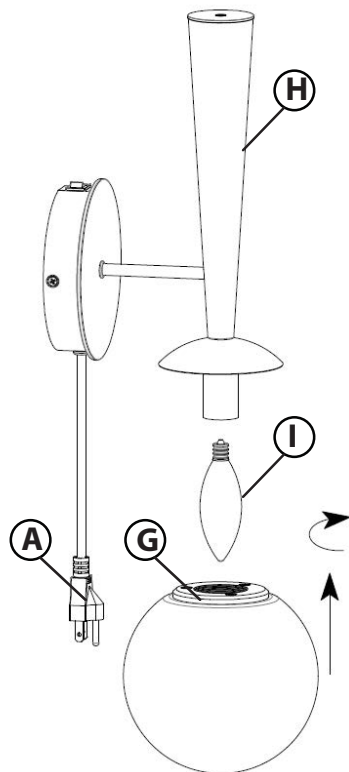


LARK

DRAWING 1 - MOUNTING



DRAWING 2- GLASS INSTALLATION



Assembly Instructions

Item No: 83500

English

▼ start here

1. Find a clear area in which you can work.
2. Unpack fixture and glass from carton.
3. Carefully review instructions prior to assembly.

1. Release mounting bracket (C) from backplate (F) by removing screws (D)
2. Secure mounting bracket (C) to junction box (J) using screws (B) -Drawing (1)
3. Secure backplate (F) to mounting bracket (C) using screws (D)
4. Lamp fixture using appropriate candle bulb (I)
5. Lift glass (G) towards main body of fixture (H) and turn to lock into place -Drawing 2
6. Use plug (A) to power fixture

Instrucciones De Montaje

Numéro d'article: 83500

Spanish

▼ empezar aquí

1. Encontrar un área clara en la que se puede trabajar.
2. Desembale luminaria y el vidrio de la caja.
3. Revise cuidadosamente las instrucciones antes del montaje.

Les Instructions D'assemblage

Número del artículo: 83500

French

▼ commencez ici

1. Trouvez un endroit clair dans lequel vous pouvez travailler.
2. Déballez luminaire et de verre du carton.
3. Examinez attentivement les instructions avant l'assemblage.