

HINKLEY

52" METRO ILLUMINATED™

INDOOR LED FAN



CEILING FAN INSTRUCTION MANUAL

WE WANT YOU TO LOVE YOUR NEW FAN

SO WE'RE HERE IF YOU HAVE A QUESTION, NEED SOME HELP OR WANT TO CHAT ABOUT OUR PRODUCTS. SEND SUGGESTIONS OUR WAY TOO—WE'RE ALWAYS LOOKING TO MAKE YOUR EXPERIENCE WITH HINKLEY A POSITIVE ONE.

> SERVICE@HINKLEY.COM

> [800.HINKLEY](tel:800.HINKLEY)

> [LET'S SEE THAT HINKLEY STYLE @HINKLEY](#)
[#HINKLEYSSTYLE](#)

This manual contains complete instructions for the installation and operation of this fan. It has been designed to make the installation process as easy as possible. If you are unfamiliar or uncomfortable with wiring, please contact a qualified electrician. If you need additional assistance or have any questions, please reach out to us.

For warranty information, visit hinkley.com.

TABLE OF CONTENTS

02	GENERAL INSTALLATION & OPERATING INSTRUCTIONS	10	ELECTRICAL CONNECTIONS
03	IMPORTANT SAFETY PRECAUTIONS	11	BLADE ATTACHMENT
03	TOOLS & MATERIALS REQUIRED	12	INSTALLATION THE SWITCH HOUSING AND LIGHT KIT
04	UNPACKING YOUR FAN	13	OPERATION
05	PREPARATION	14	CARE AND CLEANING
05	INSTALLING THE HANGING BRACKET	14	TROUBLESHOOTING
06	INSTALLING THE FAN	15	ENERGY GUIDE
07	INSTALLING THE FAN - HUGGER CONFIGURATION	15	SPECIFICATIONS
09	INSTALLING THE FAN WITH A DOWNROD	15	SMART BY BOND

WARNING:

Read and follow these instructions carefully and be mindful of all warnings shown throughout.

GENERAL INSTALLATION & OPERATION INSTRUCTIONS

- 1 To ensure the success of the installation, be sure to read the instructions and review the diagrams thoroughly before beginning.
- 2 To avoid possible electric shock, be sure electricity is turned off at the main power box before wiring. All electrical connections must be made in accordance with local codes, ordinances and/or the National Electric Code. If you are unfamiliar with the methods of installing electrical wiring and products, secure the services of a qualified and licensed electrician as well as someone who can check the strength of the supportive ceiling members and make the proper installation(s) and connections.
- 3 **WARNING:** To reduce the risk of fire, electric shock, or other personal injury, mount fan only on an outlet box or supporting system marked acceptable for fan support of 35 lbs (15.9 kg) or less and use mounting screws provided with the outlet box. Most outlet boxes commonly used for the support of lighting fixtures are not acceptable for fan support and may need to be replaced. Consult a qualified electrician if in doubt.
- 4 Make sure that your installation site will not allow rotating fan blades to come in contact with any object. Blades should be at least 7 feet from floor.
- 5 Blades should be attached after motor housing is hung and in place. Fan motor housing should be kept in the carton until ready to be installed to protect its finish. If you are installing more than one ceiling fan, make sure that you do not mix fan blade sets, as each blade is part of a weighted set.
- 6 After making electrical connections, spliced conductors should be turned upward and pushed carefully up into outlet box. The wires should be spread apart with the common conductor and the grounding conductor on one side of the outlet box, and the "HOT" wires on the other side.
- 7 Electrical diagrams are for reference only. Light kits that are not packed with the fan must be UL listed and should be installed per the light kit's installation instructions.
- 8 After fan is completely installed, check to make sure that all connections are secure to prevent fan from falling and/or causing damage or injury.
- 9 The fan can be made to work immediately after installation - the bearings are adequately charged with grease so that, under normal conditions, further lubrication should not be necessary for the life of the fan.
- 10 Do not operate the reverse switch while the fan blades are in motion. The fan must be turned off and the blades stopped before reversing the blades direction.

IMPORTANT SAFETY PRECAUTIONS

WARNINGS:

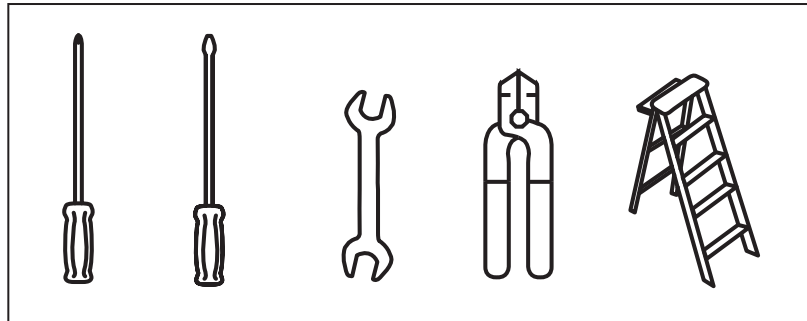
- Disconnect power by removing fuse or turning off circuit breaker before installing the fan and/or optional lighting.
- Support directly from building structure.
- To reduce the risk of fire, electric shock, or personal injury, mount to outlet box marked "acceptable for fan support" and use mounting screws provided with the outlet box. Most outlet boxes commonly used for the support of lighting fixtures are not acceptable for fan support and may need to be replaced. Consult a qualified electrician if in doubt.
- Do not use an incandescent light dimmer. Do not use this fan with any transformer type fan speed control device.
- To reduce the risk of personal injury, do not bend the blade arms when installing them, balancing the blades or cleaning the fan. Do not insert any objects(s) between rotating fan blades.

NOTE:

The important precautions, safeguards and instructions appearing in this manual are not meant to cover all possible conditions and situations that may occur. It must be understood that common sense, caution and carefulness are factors which cannot be built into this product. These factors must be supplied by the person(s) installing, caring for and operating the unit.

TOOLS & MATERIALS REQUIRED

- PHILLIPS SCREWDRIVER
- FLAT SCREWDRIVER
- WRENCH OR PLIERS
- WIRE CUTTER
- STEPLADDER
- WIRING SUPPLIES AS REQUIRED BY ELECTRICAL CODE



UNPACKING YOUR FAN

UNPACK YOUR FAN AND CHECK THE CONTENTS.

- Do not discard the carton. If warranty replacement or repair is ever necessary, the fan should be returned in original packing. Remove all parts and hardware. Do not lay motor housing on its side, or the decorative housing may shift, be bent or damaged.
- Examine all parts. You should have the following:

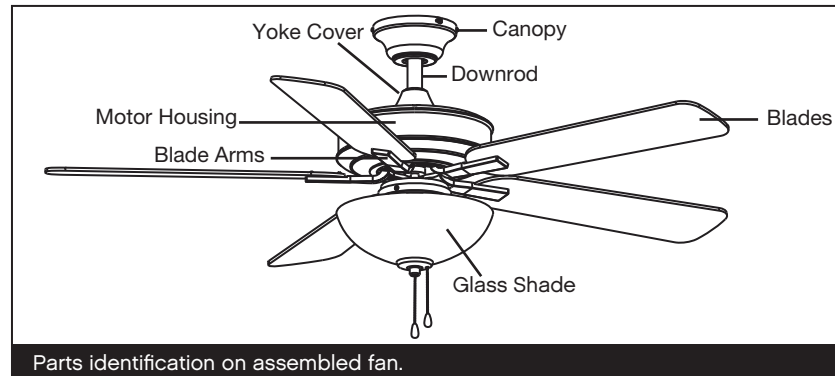
		MARQUIS ILLUMINATED PACKAGE CONTENT	
1	Blade Set of 5	BL903352Fxx	
2	Hanging Bracket	CA901552Fxx	
3	Canopy with Trim Ring		
4	Downrod Asm.	DR94014Fxx	
5	Yoke Cover	YC900460Fxx	
6	Fan Housing with Motor *Remove rubber shipping supports around motor, if applicable. Save the screws.	x	
7	Blade Arm Set of 5	BLI903352Fxx	
8	Adapter Plate	x	
9	Detachable Switch Housing w/Wiring Harness	SWH903352Fxx	
10	Light kit	LK903352Fxx	
11	Glass shade	GL903352WETCH	
12	9 Watt LED Bulbs (2)	E901752LEDLMP	
13	Hardware Bag		
	Pull Chain with Fob, Bracket Mounting Hardware (wood screws, screws, lock washers, star washers, flat washers, wire nuts), Blade to Blade Arm Screws and Fiber Washers, "S" Hook (support fan for wiring), Screws w/lock Washers - Flush Mount (3), Rubber Gasket - Flush Mount, Balance Kit, Safety cable hardware (wood screw, flat washer)	MH903352Fxx	
XX=FAN FINISH			
<p>NOTE: Design of parts shown above may look slightly different for your specific model of fan.</p>			

PREPARATION

PREPARATION:

Verify you have all parts before beginning the installation. Check foam insert closely for missing parts. Remove motor from packing. To avoid damage to finish, assemble motor on soft padded surface or use the original foam insert in motor box.

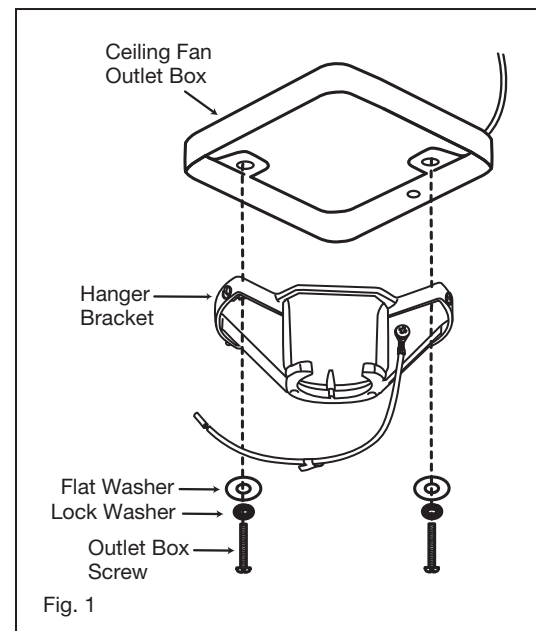
DO NOT LAY MOTOR HOUSING ON ITS SIDE AS THIS COULD RESULT IN SHIFTING OF MOTOR IN DECORATIVE ENCLOSURE.



INSTALLING THE HANGING BRACKET

CAUTION: To avoid possible electrical shock, be sure electricity is turned off at the main power box before wiring. All wiring must be in accordance with National and Local Electrical Codes and the ceiling fan must be grounded as a precaution against possible electric shock.

- 1 Locate ceiling joist where fan is to be mounted, being sure location agrees with the requirements in the minimum clearance section of this guide. Wood joists must be sound and of adequate size to support 35 pounds (See page 2, items 3 and 4).
- 2 If not already present, mount a UL listed outlet box marked "suitable for fan support" following the instructions provided with the outlet box. The outlet box must be able to support a minimum of 35 pounds.
- 3 Remove canopy from hanger bracket. Remove twist-lock trim ring by rotating counter-clockwise. Remove canopy screw that does not have key slot in canopy. Loosen screw with key slot and remove canopy.
- 4 Attach hanging bracket to outlet box using screws provided with the outlet box.

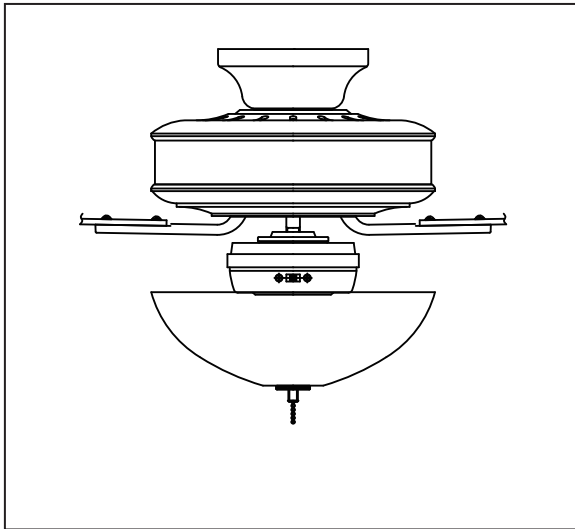


INSTALLING THE FAN

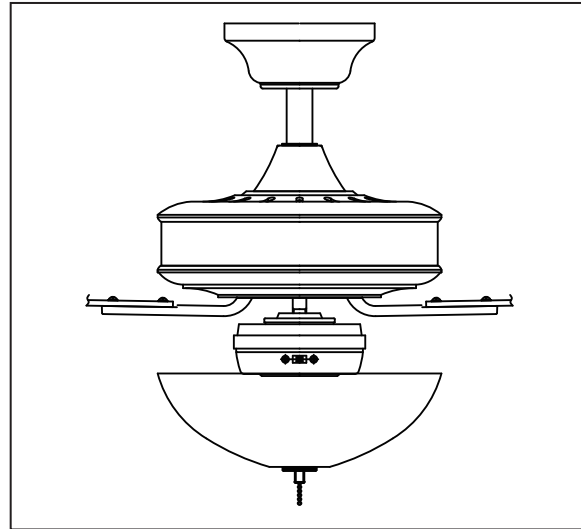
This fan has two installation options:

Both the 4.5" downrod and hugger configurations are available with your fan. Hugger configuration may be desired in a low ceiling situation. Blades will be approximately 8-10" from the ceiling.

HUGGER CONFIGURATION



DOWNROD CONFIGURATION



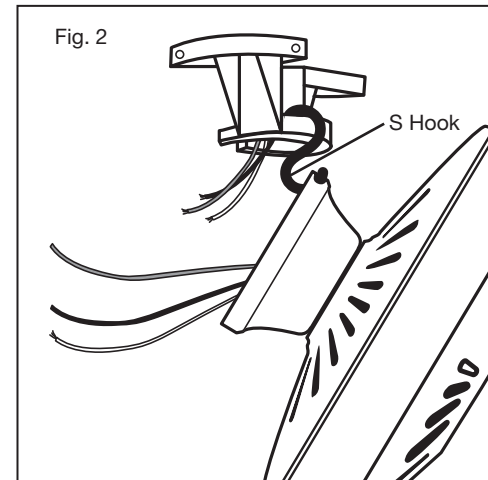
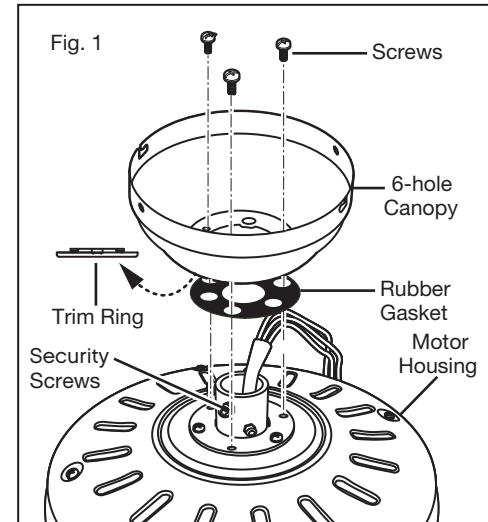
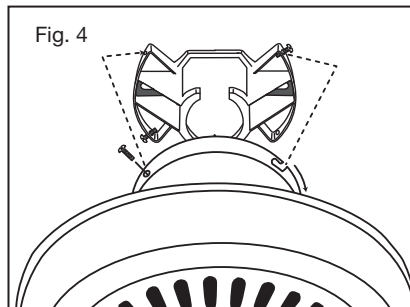
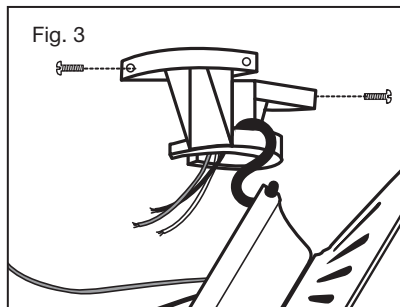
INSTALLING THE FAN - HUGGER CONFIGURATION

NOTE: The S hook is to be used for hugger style mounting.

- 1 Remove the trim ring from the canopy to expose the 6 mounting holes. The downrod, ball and cotter pin will not be used for this mounting (Fig. 1).
- 2 Feed fan wires through the rubber gasket and canopy and position the canopy over the mounting collar on top of the fan. The collar's 2 security screws will not be used and can be turned all the way into the collar to make attaching the canopy easier. (Fig. 1)
- 3 Align the canopy on top of the fan so the 3 large holes are over the 3 screws holding the collar to the fan. The 3 small holes will then be aligned with the 3 open holes in the top of the fan. (Fig. 1)
- 4 Securely attach the canopy to the top of the fan using the 3 hugger mounting screws provided.

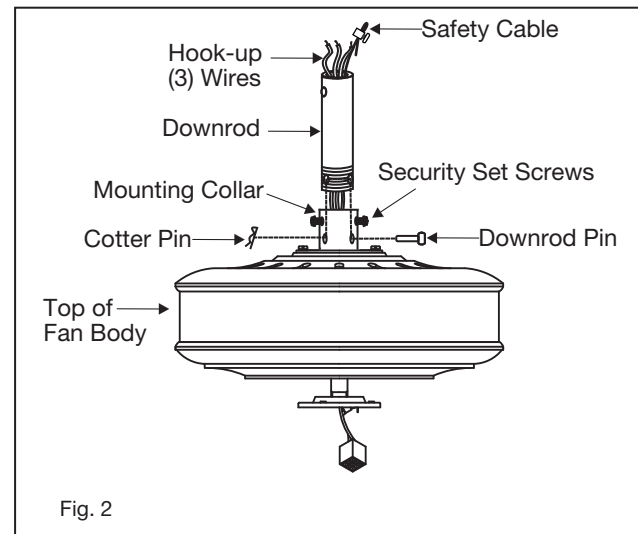
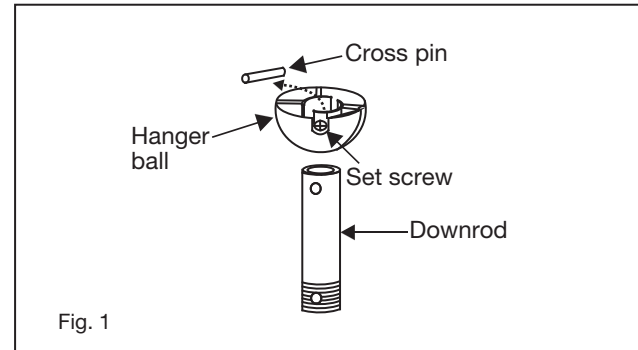
WARNING: To avoid damaging the blade arms and blades, do not install them onto fan until fan is fastened to ceiling.

- 5 Place the S hook onto the hanger bracket. Hang the canopy (with the fan motor housing attached) from the S hook on the hanger bracket using one of the holes in the edge of the canopy (Fig. 2). This will permit you to make the electrical connections without having to hold the fan up as well.
- 6 Make the wire connections as described in "Electrical Connections" (page 9).
- 7 Insert 2 screws into the hanger bracket, leaving them partially out (Fig. 3).
- 8 Attach the canopy to the hanger bracket by inserting the keyslot openings of the canopy on the hanger bracket screws (Fig. 4), and turn the fan to the right to engage the screws in the keyslot.
- 9 Insert the 2 remaining screws through the remaining canopy holes and tighten all 4 screws.



INSTALLING THE FAN WITH A DOWNROD CONFIGURATION

- 1 Remove ball from downrod by loosening set screw in the side of the ball. Slide ball down and remove ball pin; remove ball. (Fig. 1)
- 2 Carefully support fan body (motor) in its styrofoam packing with the mounting collar (where the wires come out) facing upward.
- 3 Loosen the two security set screws and remove the downrod pin and retaining clip from the coupler on top of the motor assembly. (Fig. 2)
- 4 Carefully feed the electrical lead wires and safety cable from the fan through the downrod. Thread downrod into coupler until holes align. Insert downrod pin through holes in mounting collar and downrod; clip cotter pin through small hole in end of downrod pin to hold downrod in place.
- 5 Tighten security set screws against downrod using a large flat blade screwdriver to ensure a tight fit against downrod. Tighten nuts against mounting collar.

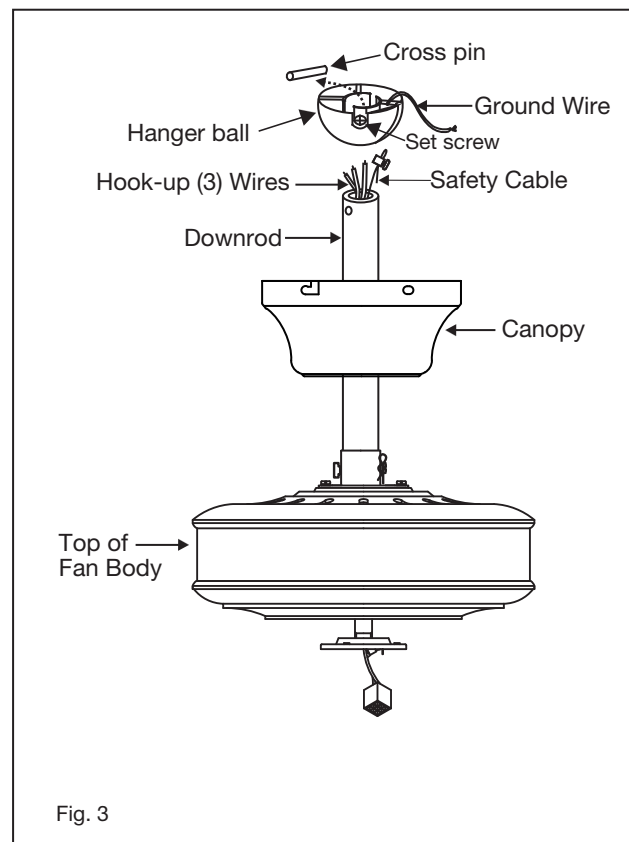


- 1 Slip canopy onto the downrod. (Fig. 3)
- 2 Slide the hanger ball onto the downrod, insert the cross pin through the downrod and tighten. Tighten the set screw.

NOTE:

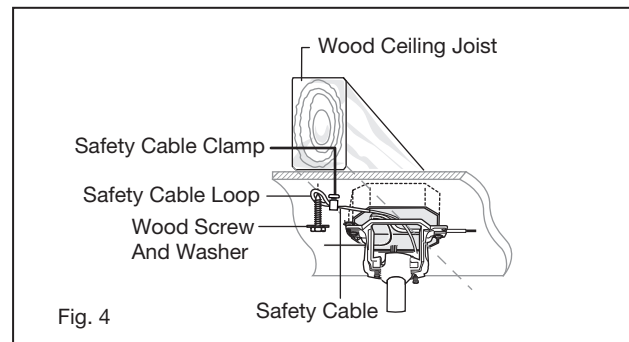
6 feet of lead wire is supplied on the fan for use with longer downrods.

- 3 Lift ball/downrod/fan into hanger bracket opening.
NOTE: The tab opposite hanger bracket opening should fit in slot on ball. (Fig. 4)
- 4 Make wire connections, (refer to section titled "Electrical Connections").
- 5 Slide canopy up and fasten to hanger bracket with 4 screws provided.



INSTALLATION OF SAFETY CABLE SUPPORT

Attach the wood screw and the flat washer to the ceiling joist as shown (do not fully tighten). Slide the cable clamp onto the safety cable from the fan. Loop the safety cable around the wood screw that was just attached to ceiling joist. Feed the end of the cable into the clamp and pull as much cable through as possible. Firmly tighten screw in the clamp. Cut off excess cable.



ELECTRICAL CONNECTIONS

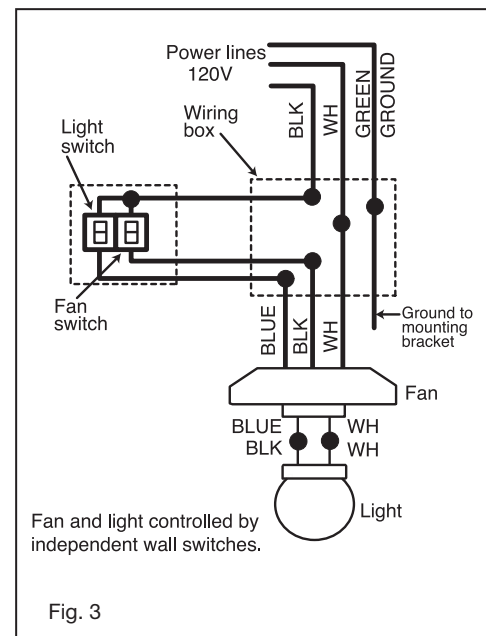
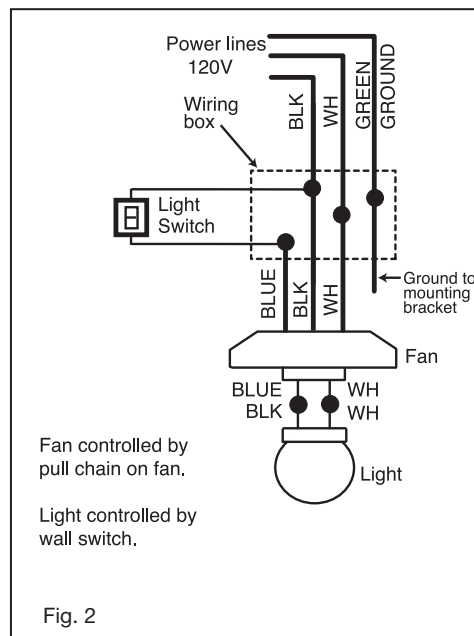
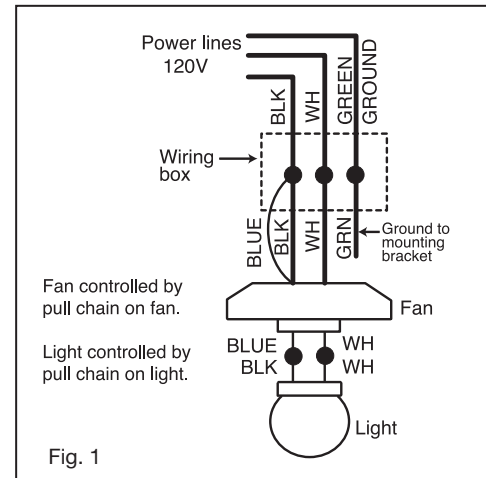
WARNING: Be sure electricity is turned off at the main power box before wiring.

- 1 Four wires are connected to the fan.
 - * Black - this is the "hot" power to run fan.
 - * White - this is the "common" power to run fan and light.
 - * Blue - this is the "hot" power for light kit.
 - * Green - ground wire (on bracket or downrod).

- 2 If fan and light are to be connected to the same circuit, black and blue wires can both be connected to house circuit black wire.

NOTE: The other end of the blue wire, (light circuit) is in the switch housing with a wire nut and label for light kit attachment. The white wire (common for light kit) is also there.

WARNING: If light kit is not used, DO NOT connect blue wire at the ceiling.



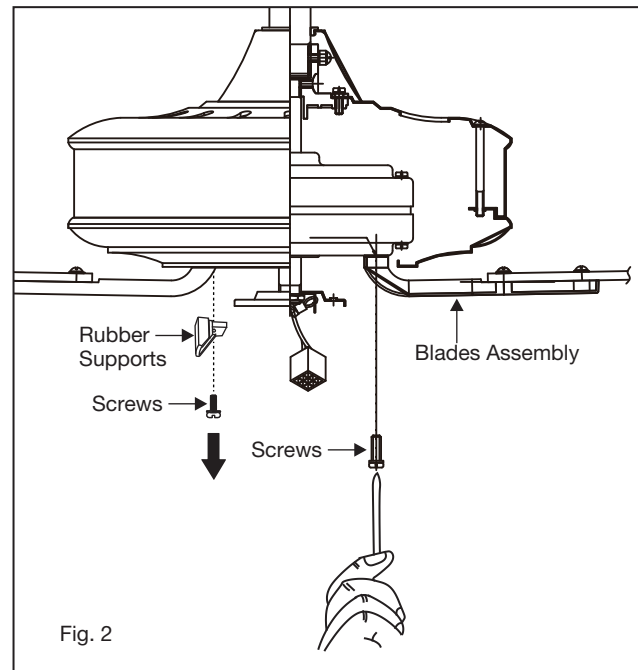
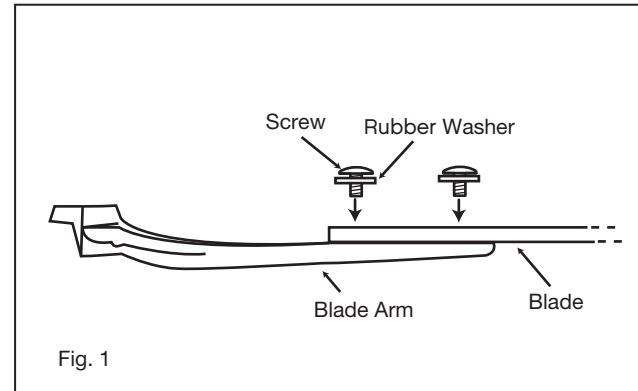
BLADE ATTACHMENT

NOTE: The fan motor assembly is shipped with rubber supports to prevent movement during transportation. Remove the rubber supports from the fan motor assembly and discard prior to attaching the blade arms.

- 1 Place Rubber washer on screw. Insert this assembly through the blade and start the screw into the blade arm. Repeat this procedure without tightening the screw until all 3 screws have been started into the blade arm (Fig. 1).
- 2 Tighten each screw starting with center screw.
- 3 Fasten blade assembly to motor with provided screws and lock lockwashers. Repeat procedure for remaining blades (Fig. 2). Make sure screws are **TIGHT!** Loose motor screws can contribute to unnecessary hum during operation.

NOTE:

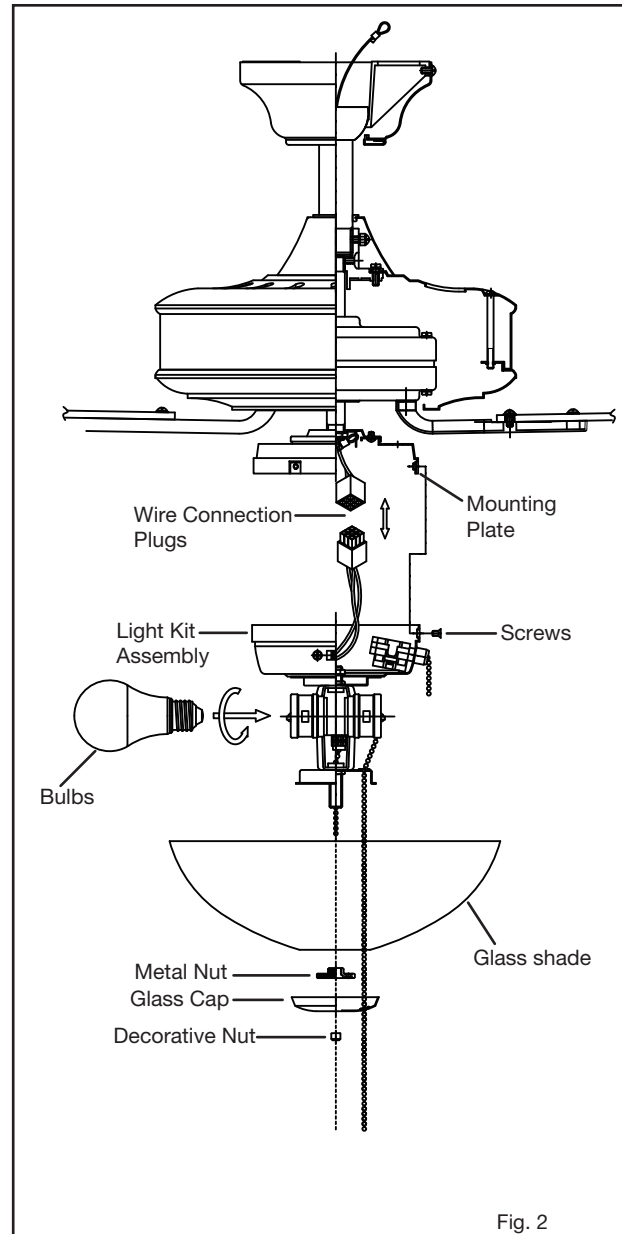
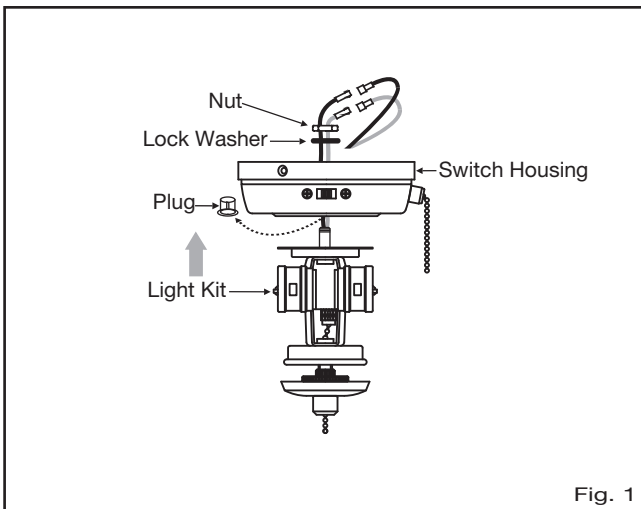
Cordless power screwdrivers are **NOT** recommended, as they usually strip the heads of the screws and usually will not fully compress the lock washers on the motor screws. Use a large flat blade screwdriver for final tightening to fully compress the washers. This will help ensure proper alignment of the blades and noise-free, wobble-free running.



INSTALLATION THE SWITCH HOUSING AND LIGHT KIT

NOTE: Be sure the power is off before installing.

- 1 Remove and discard the plug from the switch housing, attach the light kit to the switch housing by feeding the light kit wires (black and white) through the hole of switch housing and then screw it onto the switch housing by nut & lock washer. Be sure it is tight enough to prevent light kit from vibrating loose. (Fig. 1)
- 2 While holding the light kit assembly under your fan, snap together the wire connection plugs. (Fig. 2)
- 3 Carefully push all wires back into the switch housing, then install the light kit assembly onto the mounting plate with 3 screws provided. Be sure to tighten all screws.
- 4 Install 9 Watt LED Bulbs (included). (Fig. 2)
- 5 Remove the decorative nut, glass cap, metal nut from the light kit. Place glass shade over the light kit stem, secure with the metal nut, glass cap and decorative nut. Do not overtighten. Insert the fan pull chain through the eyelet in the light kit, shade and glass cap. Also insert the light kit pull chain through the shade and nut. (Fig. 2)
- 6 Turn the power on. Your Regency Ceiling Fan is now ready to enjoy!

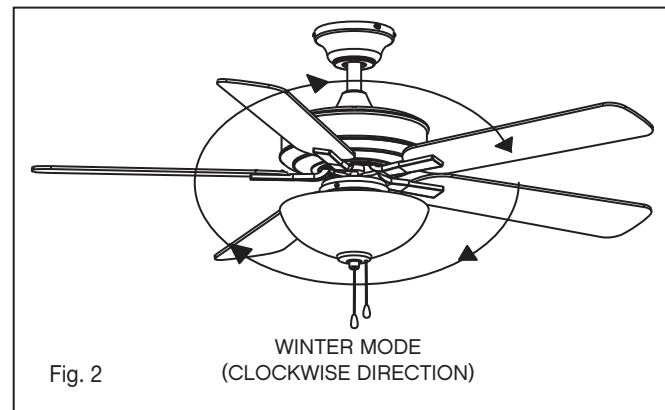
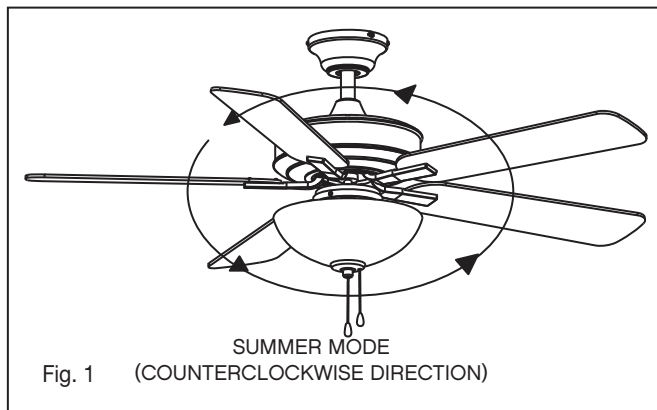


OPERATION

- 1 Turn on the power and check operation of the fan. The fan is controlled by the use of the pull chain as follows:
 - one pull = high speed
 - two pulls = medium speed
 - three pulls = low speed
 - four pulls = off
- 2 For proper functions, ensure that the chain is pulled down fully and released each time.
NOTE: Leave pull chain switch in "high speed" position when using optional controls.
- 3 The slide switch on the side of the switch housing controls forward or reverse rotation. **Make sure switch is not stuck between forward and reverse positions.**
- 4 **IMPORTANT:** To prevent damage or cause injury, be sure that fan is switched to off and blades have stopped moving completely before attempting to change direction of rotation.

Summer Mode and Winter Mode Operation:

- 5 The reverse switch is located on the surface of the switch housing. Slide the switch to the right for summer mode operation. Slide the switch to the left for winter mode operation.
- 6 Summer Mode (forward):
A DOWNWARD airflow creates a cooling effect as shown in Figure 1. This allows you to set your air conditioner on a warmer setting without affecting your comfort.
- 7 Winter Mode (Reverse):
An UPWARD airflow moves warmer air off the ceiling area as shown in Figure 2. This allows you to set your heating unit on a cooler setting without affecting your comfort.



CARE AND CLEANING

Periodically it may be necessary to re-tighten blade to blade arm screws or blade arm to motor screws to prevent clicking or humming sound during operation. This is especially true in climates with broad temperature and humidity ranges.

When dusting the blades, you must support the blade to prevent bending - no pressure should be applied to the blades. If you experience any flaws in the operation of your fan, please check the following points.

TROUBLESHOOTING

CAUTION:

Switch off power supply before carrying out any of these checks.

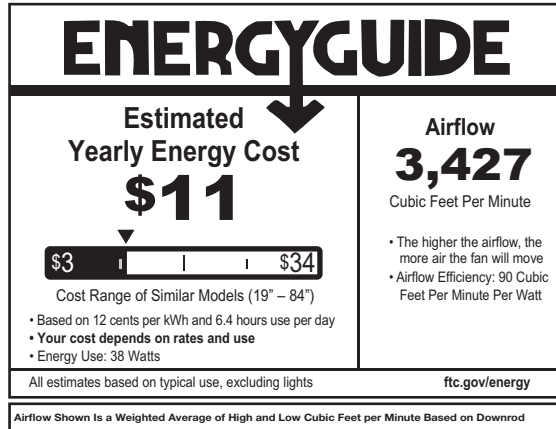
PROBLEM	SOLUTION
FAN WILL NOT START	<ol style="list-style-type: none">1. Check main and branch circuit breakers and/or fuses.2. Check line wire connections to fan housing wiring. Make sure forward/reverse switch is set to one or the other position, not stuck in between.
FAN SOUNDS NOISY	<ol style="list-style-type: none">1. Check and make sure that all screws in motor housing are snug (but not over tight).2. Check that the screws securing blade arms to the motor are tight.3. Check that wire connectors in switch housing are not rattling against each other or the interior wall of the switch housing.4. Check that all glassware is finger tight and that bulb(s) are well held in the sockets, if a light kit is used.5. Check that the canopy is firmly attached to hanging bracket and not vibrating against ceiling.
FAN WOBBLER	<ol style="list-style-type: none">1. Check that all blades are firmly screwed into blade arms. Check that all blade arms are firmly secure to the motor.2. Check to make sure that light kit (if present) is firmly attached to switch housing and that all glassware and shades are fastened properly. Wobble can also result from even the smallest deviations in distance from blade tip to blade tip.3. If measurements from blade tip to blade tip are not equal, loosen screws connecting blade to blade arm one at a time and adjust blade(s) so that distances are equal.4. Interchanging adjacent blades may redistribute mass and result in smoother operation. Blade arms can be bent slightly to restore same pitch to all blades if a blade is different than the other blades when viewed edge on.5. Most wobble can be traced to a loose electrical box or mounting bracket. Make sure these are tight and the ball is completely seated in the bracket.6. Use the enclosed Blade Balancing Kit if the blade wobble is still noticeable.

WARNING: TO REDUCE THE RISK OF PERSONAL INJURY, DO NOT BEND THE BLADE ARM WHILE INSTALLING, BALANCING THE BLADES, OR CLEANING THE FAN. DO NOT INSERT FOREIGN OBJECTS BETWEEN ROTATING FAN BLADES.

ENERGY GUIDE

SPECIFICATIONS

AVERAGE PERFORMANCE AND ENERGY INFORMATION



PERFORMANCE SPECIFICATIONS	STANDARD	
	HIGH SPEED	LOW SPEED
Airflow (CFM)	4823	1845
Energy Use (Watts)	61.9	11.1
Airflow Efficiency (CFM/W)	78	167
Energy Costs (Yearly)	\$11	\$1
Amps	0.53	0.22
RPMs	165	66

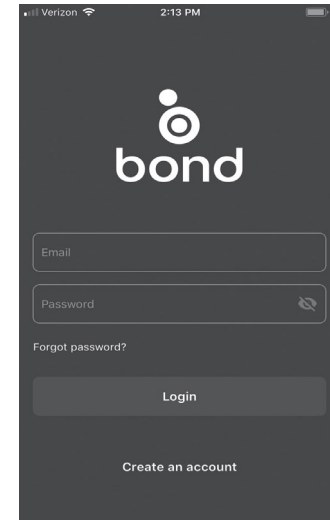
SMART BY BOND

HINKLEY SMART FAN OPTIONS (SOLD SEPARATELY):

In addition to the included wall control, you can control your Hinkley fan through the Bond app using the smart technology accessory controls SOLD SEPARATELY.

- To use the app, download it for free from the App Store or Google Play.
- Open the app to create your account. You can also login with your Facebook or Google account.
- Next, set up a WiFi connection. You will need the SSID and WiFi password for the network you want to connect to.
- You will receive a prompt to choose the finish of your fan and name your fan device.
- The app will walk you through the main screen and show you how to change fan speeds, dim the light, set timers or utilize breeze mode.

NOTE: Maximum of 2 fans can operate on a circuit through the wall control. Maximum of 12 fans can operate on a circuit through an on/off switch or breaker when utilizing the app for the fan control (without the wall control in the circuit).



<https://bondhome.io/app>

HINKLEY IS PROUD TO PROVIDE YOU WITH CEILING FAN PRODUCTS THAT ENHANCE YOUR SPACE WITH COMFORT, PURPOSE AND STYLE. AS A FAMILY COMPANY, WE ARE COMMITTED TO DESIGN, PERFORMANCE AND QUALITY, AND WHAT'S IMPORTANT TO YOU IS PARAMOUNT TO US.

FOR A COMPLETE ASSORTMENT OF OUR PRODUCTS AND SOURCE BOOKS, VISIT HINKLEY.COM.

HINKLEY

GLOBAL HEADQUARTERS

33000 Pin Oak Parkway | Avon Lake, Ohio 44012

T (440) 653 5500 | F (440) 653 5555 | hinkley.com

HINKLEY

52" METRO ILLUMINATED™

INDOOR LED FAN



MANUAL DE INSTRUCCIONES
PARA VENTILADORES DE
TECHO

QUEREMOS QUE AMES A TU NUEVO VENTILADOR

ASÍ QUE ESTAMOS AQUÍ SI TIENE UNA PREGUNTA,
NECESITA AYUDA O QUIERE HABLAR SOBRE NUESTROS
PRODUCTOS. ENVÍE SUGERENCIAS NUESTRO CAMINO
TAMBIÉN: SIEMPRE ESTAMOS BUSCANDO HACER QUE
SU EXPERIENCIA CON HINKLEY SEA POSITIVA.

> **SERVICE@HINKLEY.COM**

> **800.HINKLEY**

> **VAMOS A ESE ESTILO**
HINKLEY@HINKLEY #HINKLEYSTYLE

Este manual contiene instrucciones completas para la
instalación y operación de este ventilador. Ha sido
diseñado para hacer que el proceso de instalación sea
lo más fácil posible. Si no está familiarizado o no se
siente cómodo con el cableado, comuníquese con un
electricista calificado. Si necesita asistencia adicional o
tiene alguna pregunta, comuníquese con nosotros.

Para obtener información sobre la garantía, visite hinkley.com.

TABLE OF CONTENTS

02	INSTRUCCIONES GENERALES DE INSTALACIÓN Y FUNCIONAMIENTO	10	CONEXIONES ELÉCTRICAS
03	PRECAUCIONES IMPORTANTES DE SEGURIDAD	11	ACCESORIO DE HOJA
03	HERRAMIENTAS Y MATERIALES REQUERIDOS	12	INSTALACIÓN DEL KIT DE LUZ Y CARCASA DEL INTERRUPTOR
04	DESEMBALAJE SU VENTILADOR	13	OPERACIÓN
05	PREPARACIÓN	14	CUIDADO Y LIMPIEZA
05	INSTALACIÓN DEL SOPORTE COLGANTE	14	SOLUCIÓN DE PROBLEMAS
06	INSTALACIÓN DEL VENTILADOR	15	GUÍA ENERGÉTICA
07	INSTALACIÓN DEL VENTILADOR - CONFIGURACIÓN HUGGER	15	ESPECIFICACIONES
09	INSTALACIÓN DEL VENTILADOR CON VARILLA ABAJO	15	INTELIGENTE POR BOND

ADVERTENCIA:

Lea y siga estas instrucciones cuidadosamente y tenga en cuenta todas las advertencias que se muestran a lo largo.

INSTRUCCIONES GENERALES DE INSTALACIÓN Y OPERACIÓN

- 1 Para garantizar el éxito de la instalación, asegúrese de leer las instrucciones y revisar los diagramas a fondo antes de comenzar.
- 2 Para evitar posibles descargas eléctricas, asegúrese de que la electricidad esté apagada en la caja de alimentación principal antes de realizar el cableado. Todas las conexiones eléctricas deben realizarse de acuerdo con los códigos, ordenanzas locales y / o el Código Eléctrico Nacional. Si no está familiarizado con los métodos de instalación de cableado y productos eléctricos, asegure los servicios de un electricista calificado y con licencia, así como de alguien que pueda verificar la resistencia de los miembros del techo de apoyo y realizar las instalaciones y conexiones adecuadas.
- 3 **ADVERTENCIA:** Para reducir el riesgo de incendio, descarga eléctrica u otras lesiones personales, monte el ventilador solo en una caja de salida o en un sistema de soporte marcado como aceptable para un soporte de ventilador de 35 lb (15.9 kg) o menos y use los tornillos de montaje provistos con la caja de salida. La mayoría de las cajas de salida comúnmente utilizadas para el soporte de accesorios de iluminación no son aceptables para el soporte del ventilador y pueden necesitar ser reemplazadas. Consulte a un electricista calificado si tiene dudas.
- 4 Asegúrese de que su sitio de instalación no permita que las aspas del ventilador giratorio entren en contacto con ningún objeto. Las cuchillas deben estar a un mínimo de 7 pies del piso.
- 5 Las cuchillas deben colocarse después de que la carcasa del motor esté colgada y colocada. La carcasa del motor del ventilador debe mantenerse en la caja hasta que esté lista para ser instalada para proteger su acabado. Si está instalando más de un ventilador de techo, asegúrese de no mezclar los conjuntos de aspas del ventilador, ya que cada aspa forma parte de un conjunto ponderado.
- 6 Después de hacer las conexiones eléctricas, los conductores empalmados deben girarse hacia arriba y empujarse con cuidado hacia la caja de salida. Los cables deben separarse con el conductor común y el conductor de tierra en un lado de la caja de salida, y el Cables "CALIENTES" en el otro lado.
- 7 Los diagramas eléctricos son solo de referencia. Los kits de luces que no están empacados con el ventilador deben estar en la lista UL y deben instalarse según las instrucciones de instalación del kit de luces.
- 8 Una vez que el ventilador esté completamente instalado, verifique que todas las conexiones estén seguras para evitar que el ventilador se caiga y / o cause daños o lesiones.
- 9 Se puede hacer que el ventilador funcione inmediatamente después de la instalación: los cojinetes están adecuadamente cargados de grasa para que, en condiciones normales, no sea necesaria una mayor lubricación durante la vida útil del ventilador.
- 10 Para operar la función de retroceso en este ventilador, presione el botón de retroceso mientras el ventilador está funcionando.

PRECAUCIONES IMPORTANTES DE SEGURIDAD

ADVERTENCIAS:

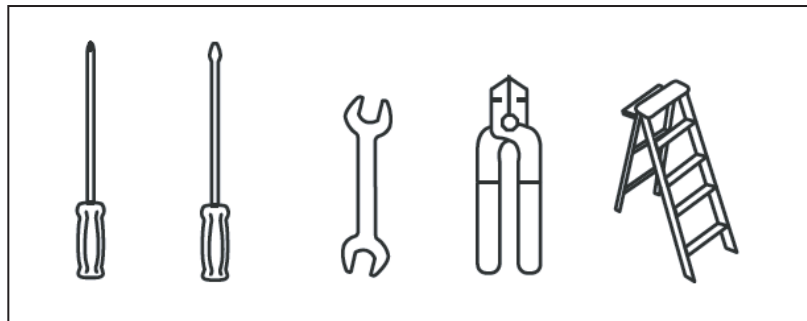
- Desconecte la energía quitando el fusible o apagando el interruptor de circuito antes de instalar el ventilador y / o la iluminación opcional.
- Apoyo directo desde la estructura del edificio.
- Para reducir el riesgo de incendio, descarga eléctrica o lesiones personales, monte en la caja de salida marcada como "aceptable para soporte del ventilador" y use los tornillos de montaje provistos con la caja de salida. La mayoría de las cajas de salida comúnmente utilizadas para el soporte de accesorios de iluminación no son aceptables para el soporte del ventilador y pueden necesitar ser reemplazadas. Consulte a un electricista calificado si tiene dudas.
- No utilice un atenuador de luz incandescente. No utilice este ventilador con ningún dispositivo de control de velocidad del ventilador de tipo transformador. To reduce the risk of personal injury, do not bend the blade arms when installing them, balancing the blades or cleaning the fan.
- No inserte ningún objeto (s) entre las aspas giratorias del ventilador.

NOTA:

Las precauciones, salvaguardas e instrucciones importantes que aparecen en este manual no están destinadas a cubrir todas las condiciones y situaciones posibles que puedan ocurrir. Debe entenderse que el sentido común, la precaución y el cuidado son factores que no se pueden incorporar a este producto. Estos factores deben ser proporcionados por la (s) persona (s) que instalan, cuidan y operan la unidad.

HERRAMIENTAS Y MATERIALES REQUERIDOS

- DESTORNILLADOR PHILLIPS
- DESTORNILLADOR PLANO
- LLAVE O ALICATES
- CORTADOR DE CABLES
- ESCALERA DE TIJERA
- SUMINISTROS DE CABLEADO SEGÚN REQUERIDO POR CÓDIGO ELÉCTRICO



DESEMBALAJE SU VENTILADOR

DESEMBALA TU VENTILADOR Y CONSULTA EL CONTENIDO

• No deseche la caja. Si alguna vez es necesario reemplazar o reparar la garantía, el ventilador debe devolverse en su embalaje original. Retire todas las piezas y hardware. No coloque la carcasa del motor de lado, ya que la carcasa decorativa podría moverse, doblarse o dañarse.

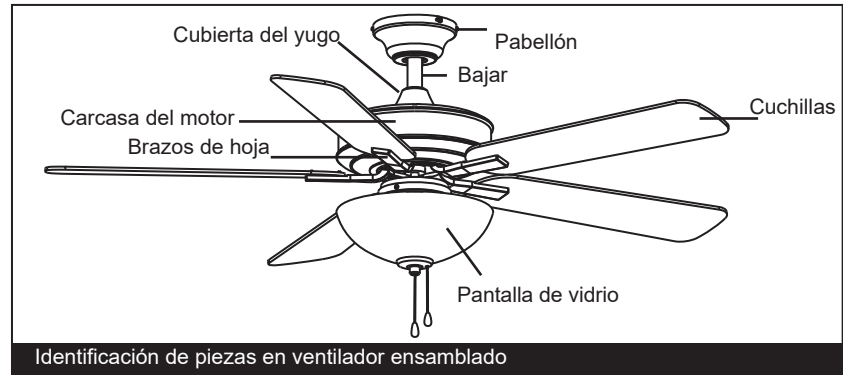
• Examine todas las partes. Deberías tener lo siguiente:

	MARQUIS ILLUMINATED PACKAGE CONTENT		
	1	Juego de 5 cuchillas	BL903352Fxx
	2	Soporte colgante	CA901552Fxx
	3	Marquesina con anillo embellecedor	
	4	Montaje de varilla	DR94014Fxx
	5	Cubierta del yugor	YC900460Fxx
	6	Carcasa del ventilador con motor * Retire los soportes de goma para transporte alrededor del motor, si corresponde. Guarde los tornillos.	x
	7	Juego de 5 brazos de hoja	BLI903352Fxx
	8	Placa adaptadora	x
	9	Carcasa de interruptor desmontable con arnés de cableado	SWH903352Fxx
	10	Kit de luz	LK903352Fxx
	11	Pantalla de vidrio	GL903352WETCH
	12	Bombillas LED de 9 Watt (2)	E901752LEDLMP
13	Bolsa de hardware		
	Tire de la cadena con llavero, Hardware de montaje del soporte (tornillos para madera, tornillos, arandelas de seguridad, arandelas de estrella, arandelas planas, tuercas de alambre), Tornillos de brazo de hoja a hoja y arandelas de fibra, Gancho "S" (ventilador de soporte para cableado), tornillos con arandelas de seguridad - Montaje empotrado (3), Junta de goma - Montaje empotrado, kit de equilibrio, Hardware del cable de seguridad (tornillo para madera, arandela plana)	MH903352Fxx	
XX=ACABADO VENTILADOR			
<p>NOTA: El diseño de las piezas que se muestran arriba puede verse ligeramente diferente para su modelo específico de ventilador..</p>			

PREPARACIÓN

PREPARACIÓN:

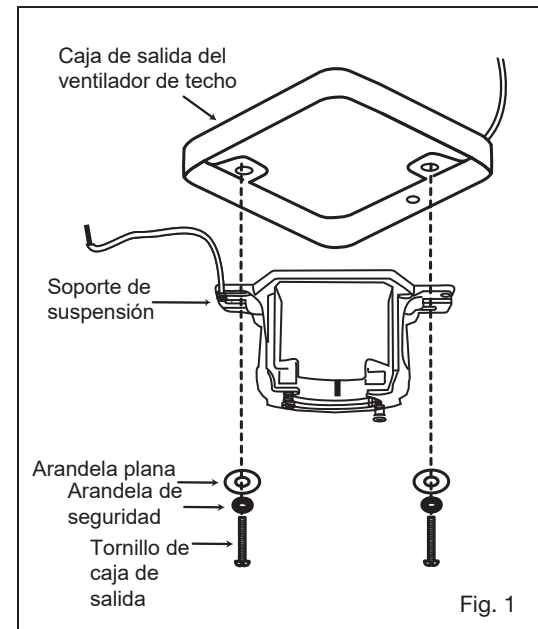
Verifique que tenga todas las piezas antes de comenzar la instalación. Compruebe de cerca el inserto de espuma para ver si faltan piezas. Saque el motor del embalaje. Para evitar daños en el acabado, monte el motor sobre una superficie suave y acolchada o utilice el inserto de espuma original en la caja del motor. **NO COLOQUE LA CARCASA DEL MOTOR SOBRE SU LADO YA QUE ESTO PODRÍA RESULTAR EN EL DESPLAZAMIENTO DEL MOTOR EN EL CUBIERTO DECORATIVO.**



INSTALACIÓN DEL SOPORTE COLGANTE

PRECAUCIÓN: Para evitar posibles descargas eléctricas, asegúrese de que la electricidad esté apagada en la caja de energía principal antes de realizar el cableado. Todo el cableado debe estar de acuerdo con los códigos eléctricos nacionales y locales y el ventilador de techo debe estar conectado a tierra como medida de precaución contra posibles descargas eléctricas.

- 1 Ubique la viga del techo donde se instalará el ventilador, asegurándose de que la ubicación coincida con los requisitos de la sección de espacio libre mínimo de esta guía. Las vigas de madera deben ser sólidas y de tamaño adecuado para soportar 35 libras (vea la página 2, elementos 3 y 4).
- 2 Si aún no está presente, monte una caja de salida listada por UL marcada como "adecuada para soporte de ventilador" siguiendo las instrucciones proporcionadas con la caja de salida. La caja de salida debe poder soportar un mínimo de 35 libras.
- 3 Retire la capota del soporte de suspensión. Quite el anillo de ajuste de bloqueo giratorio girándolo en sentido antihorario. Quite el tornillo de la cubierta que no tiene una ranura para llave en la cubierta. Afloje el tornillo con la ranura de la llave y retire la cubierta.
- 4 Fije el soporte para colgar a la caja de salida con los tornillos que se proporcionan con la caja de salida.

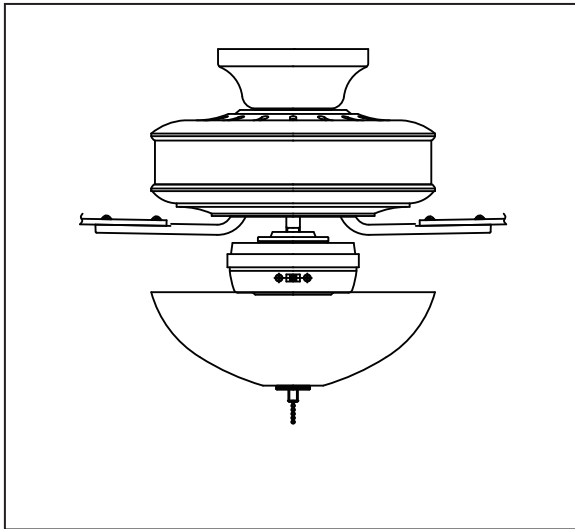


INSTALACIÓN DEL VENTILADOR

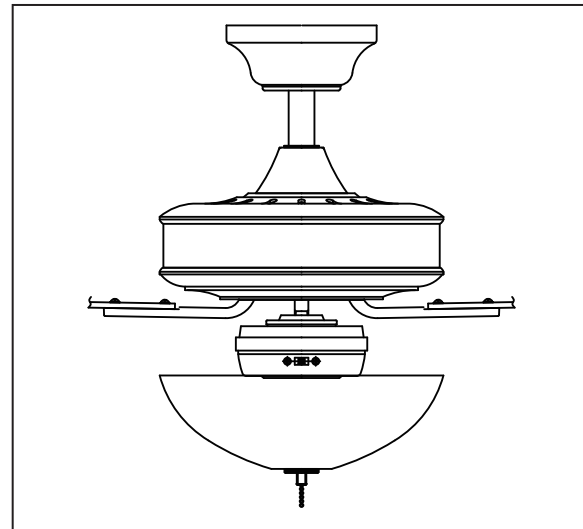
Este ventilador tiene dos opciones de instalación:

Tanto las configuraciones de varilla descendente como de abrazadera de 4.5 "están disponibles con su ventilador. La configuración de abrazadera puede ser deseada en una situación de techo bajo. Las aspas estarán aproximadamente a 8-10" del techo.

CONFIGURACIÓN MÁS HUGGER



CONFIGURACIÓN DOWNROD



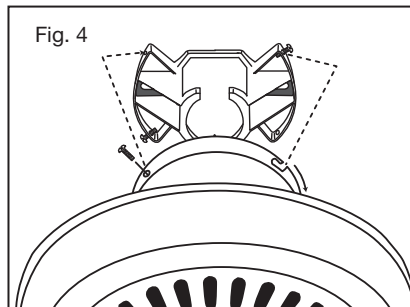
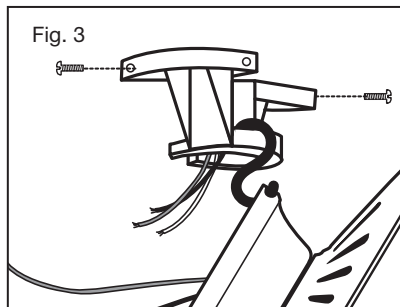
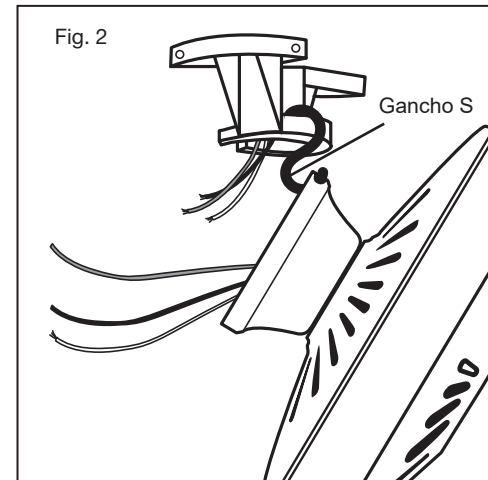
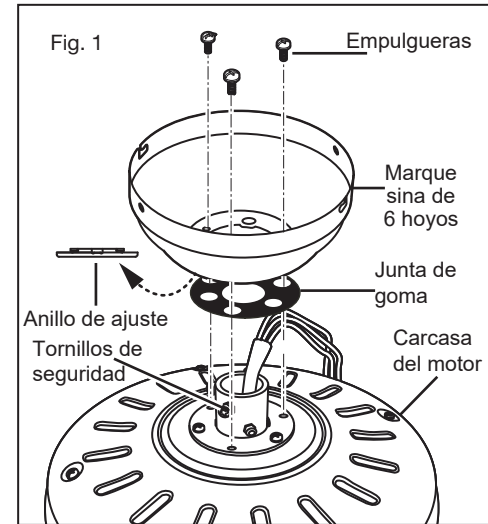
INSTALACIÓN DEL VENTILADOR - CONFIGURACIÓN HUGGER

NOTA: El gancho S se debe utilizar para el montaje estilo abrazadera

- 1 Retire el anillo de ajuste del dosel para exponer los 6 orificios de montaje. La varilla, la bola y el pasador de chaveta no se utilizarán para este montaje (Fig. 1).
- 2 Pase los cables del ventilador a través de la junta de goma y la cubierta y coloque la cubierta sobre el collar de montaje en la parte superior del ventilador. Los 2 tornillos de seguridad del collar no se utilizarán y se pueden girar hasta el final del collar para facilitar la fijación del dosel. (Figura 1)
- 3 Alinee el dosel en la parte superior del ventilador de modo que los 3 orificios grandes queden sobre los 3 tornillos que sujetan el collar al ventilador. Los 3 orificios pequeños se alinearán con los 3 orificios abiertos en la parte superior del ventilador.
- 4 Sujete firmemente el dosel a la parte superior del ventilador con los 3 tornillos de montaje del guardabarros incluidos.

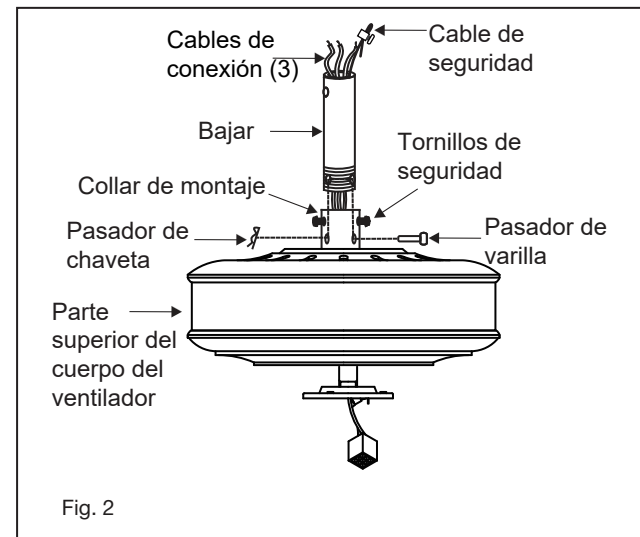
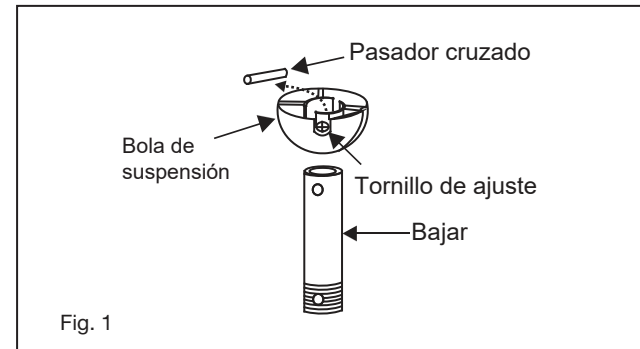
ADVERTENCIA: Para evitar dañar los brazos de las aspas y las aspas, no las instale en el ventilador hasta que esté fijado al techo.

- 5 Coloque el gancho S en el soporte de suspensión. Cuelgue la capota (con la carcasa del motor del ventilador acoplada) del gancho S en el soporte de suspensión usando uno de los orificios en el borde de la capota (Fig. 2). Esto le permitirá realizar las conexiones eléctricas sin tener que sostener el ventilador también.
- 6 Realice las conexiones de cables como se describe en "Conexiones eléctricas" (página 9).
- 7 Inserte 2 tornillos en el soporte de suspensión, dejándolos parcialmente afuera (Fig. 3).
- 8 Fije la capota al soporte de suspensión insertando las aberturas de la ranura de la cubierta en los tornillos del soporte de suspensión (Fig. 4) y gire el ventilador hacia la derecha para enganchar los tornillos en la ranura de la ranura.
- 9 Inserte los 2 tornillos restantes a través de los orificios restantes de la cubierta y apriete los 4 tornillos.



INSTALACIÓN DEL VENTILADOR CON UNA CONFIGURACIÓN DE VARILLA ABAJO

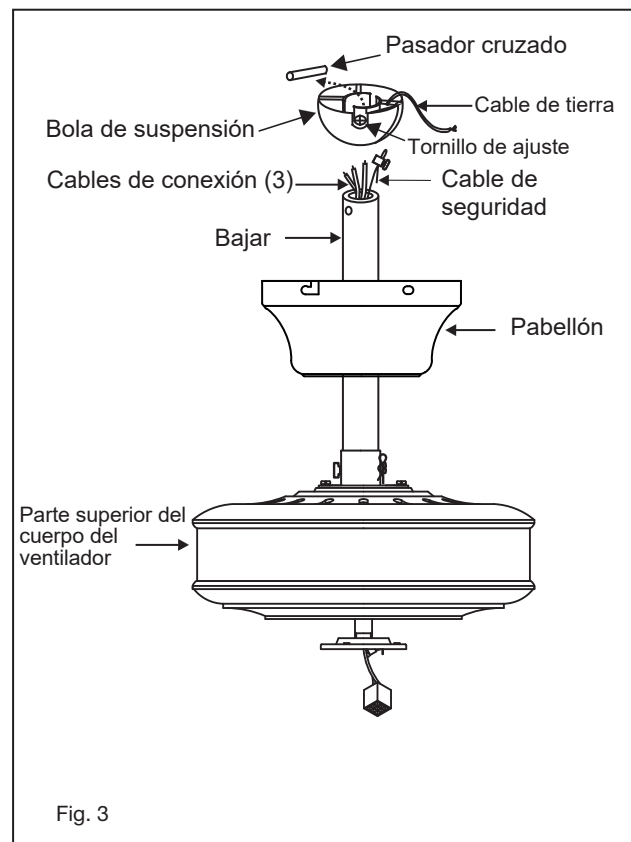
- 1 Retire la bola de la varilla aflojando el tornillo de fijación en el costado de la bola. Deslice la bola hacia abajo y retire el pasador de bola; quitar la bola. (Figura 1)
- 2 Sujete con cuidado el cuerpo del ventilador (motor) en su empaque de espuma de poliestireno con el collar de montaje (por donde salen los cables) hacia arriba.
- 3 Afloje los dos tornillos de seguridad y retire el pasador de la varilla y el clip de retención del acoplamiento en la parte superior del conjunto del motor. (Figura 2)
- 4 Alimente con cuidado los cables eléctricos y el cable de seguridad desde el ventilador a través de la varilla. Enrosque la varilla en el acoplador hasta que los agujeros se alineen. Inserte el pasador de la varilla a través de los orificios en el collar de montaje y la varilla; Enganche el pasador de chaveta a través del pequeño orificio en el extremo del pasador de la varilla para mantener la varilla en su lugar.
- 5 Apriete los tornillos de seguridad contra la varilla con un destornillador grande de hoja plana para asegurar un ajuste firme contra la varilla. Apriete las tuercas contra el collar de montaje.



- 1 Desliza el dosel sobre la varilla. (Fig. 3)
- 2 Deslice la bola de suspensión en la varilla, inserte el pasador transversal a través de la varilla y apriete. Apriete el tornillo de fijación.

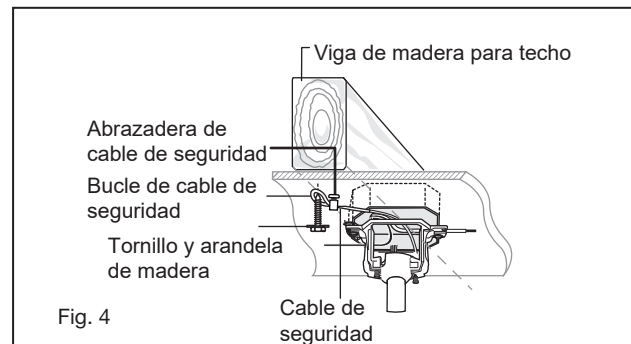
NOTA:
Se suministran 6 pies de cable conductor en el ventilador para usar con varillas más largas.

- 3 Levante la bola / varilla / ventilador en la abertura del soporte de suspensión.
- 4 **NOTA:** La pestaña opuesta a la abertura del soporte de suspensión debe encajar en la ranura de la bola. (Figura 4) Realice las conexiones de cables (consulte la sección titulada "Conexiones eléctricas").
- 5 Deslice el dosel hacia arriba y fíjelo al soporte de suspensión con los 4 tornillos incluidos.



INSTALACIÓN DE SOPORTE DE CABLE DE SEGURIDAD

Coloque el tornillo para madera y la arandela plana en la viga de madera del techo como se muestra (no apriete completamente). Deslice la abrazadera del cable en el cable de seguridad del ventilador. Enrolle el cable de seguridad alrededor del tornillo para madera que acaba de conectar a la viga del techo. Introduzca el extremo del cable en la abrazadera y pase la mayor cantidad de cable posible. Apriete firmemente el tornillo de la abrazadera. Corte el cable sobrante.



CONEXIONES ELÉCTRICAS

ADVERTENCIA: Asegúrese de que la electricidad esté apagada en la caja de alimentación principal antes de realizar el cableado.

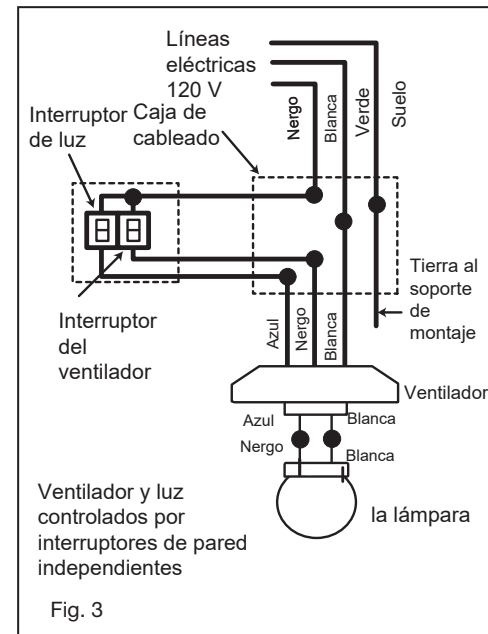
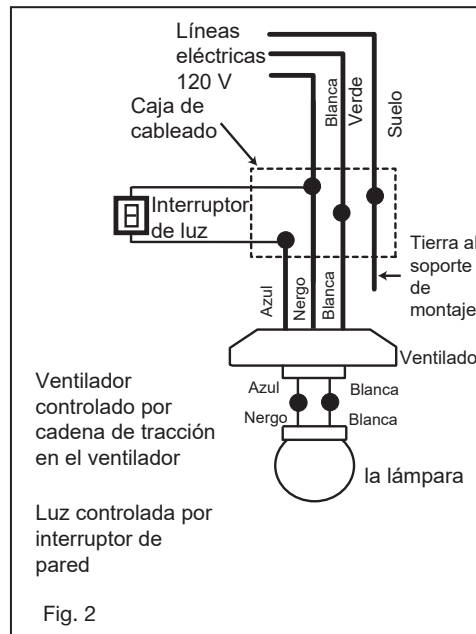
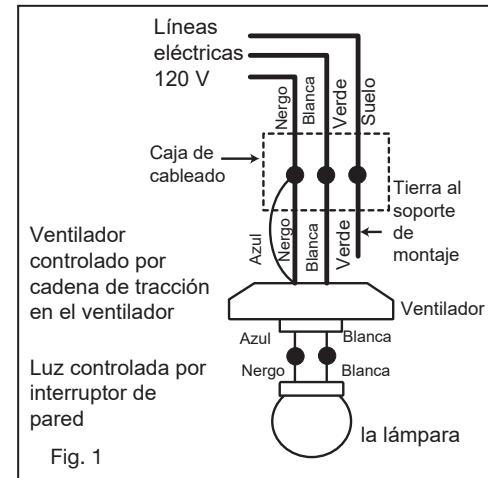
1

Cuatro cables están conectados al ventilador.

- * Negro: este es el poder "activo" para hacer funcionar el ventilador.
- * Blanco: este es el poder "común" para hacer funcionar el ventilador y la luz.
- * Azul: esta es la potencia "caliente" para el kit de luz.
- * Verde - cable de tierra (en el soporte o la varilla).

2

Si el ventilador y la luz se van a conectar al mismo circuito, los cables negro y azul se pueden conectar al cable negro del circuito interno. NOTA: El otro extremo del cable azul, (circuito de luz) está en la carcasa del interruptor con una tuerca de cable y una etiqueta para conectar el kit de luz. El cable blanco (común para el kit de luz) también está allí. ADVERTENCIA: Si no se utiliza el kit de luces, NO conecte el cable azul en el techo.



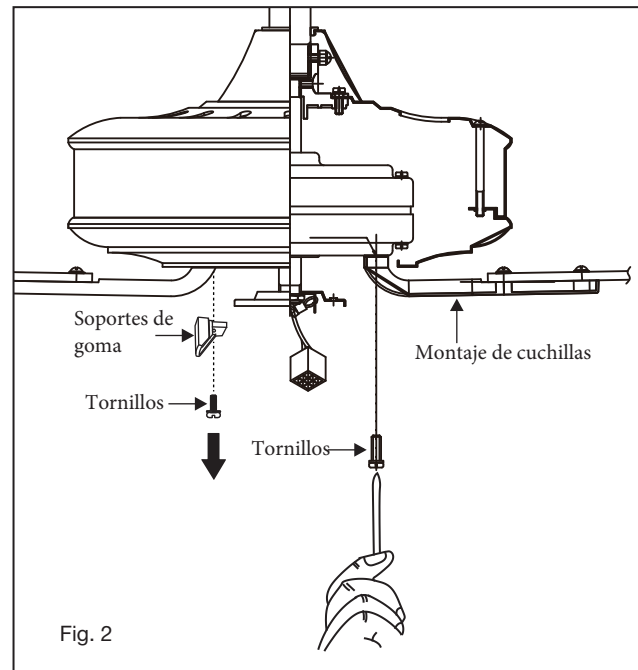
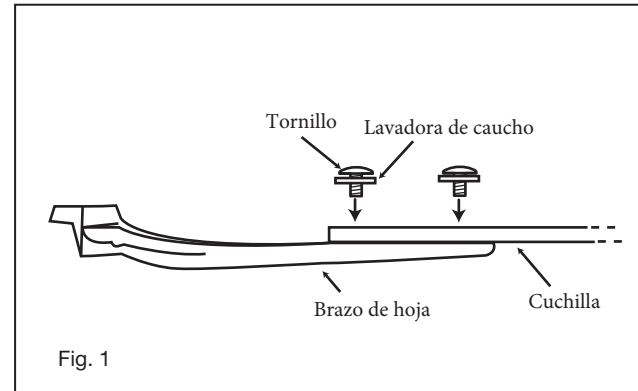
ACCESORIO DE HOJA

NOTA: El conjunto del motor del ventilador se envía con soportes de goma para evitar el movimiento durante el transporte. Retire los soportes de goma del conjunto del motor del ventilador y deséchelos antes de colocar los brazos de las aspas.

- 1 Coloque la arandela de goma en el tornillo. Inserte este conjunto a través de la hoja y comience a atornillar en el brazo de la hoja. Repita este procedimiento sin apretar el tornillo hasta que los 3 tornillos hayan sido introducidos en el brazo de la hoja (Fig. 1).
- 2 Apriete cada tornillo comenzando con el tornillo central.
- 3 Sujete el conjunto de cuchillas al motor con los tornillos proporcionados y las arandelas de seguridad. Repita el procedimiento para las hojas restantes (Fig. 2). ¡Asegúrese de que los tornillos estén APRETADOS! Los tornillos del motor flojos pueden contribuir a producir zumbidos innecesarios durante el funcionamiento.

NOTA:

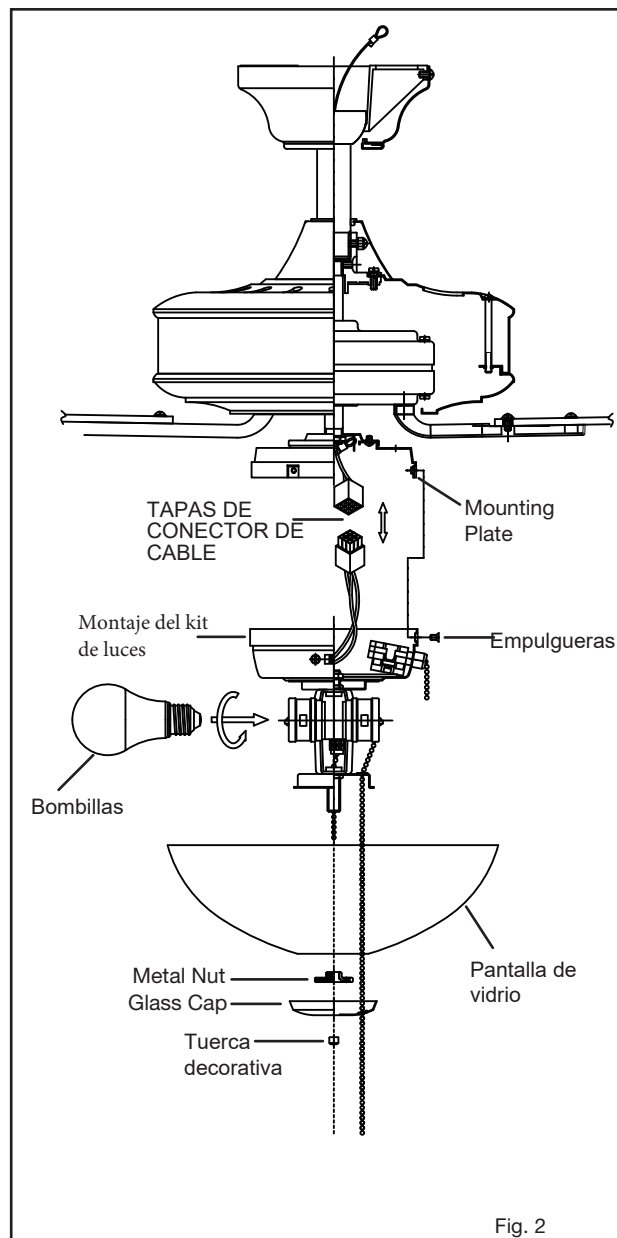
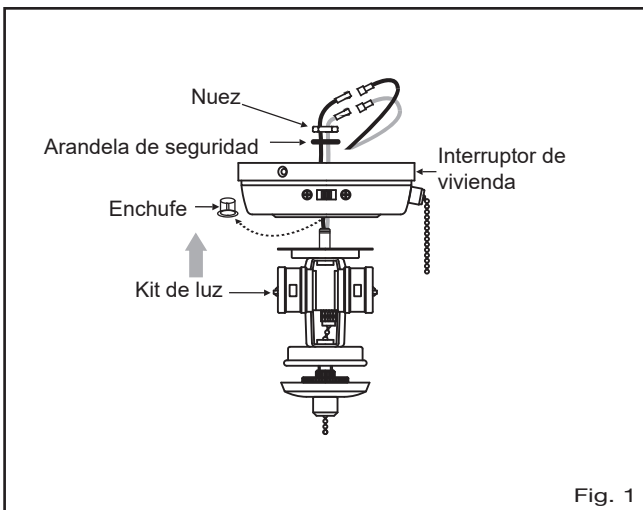
NO se recomiendan los destornilladores eléctricos inalámbricos, ya que generalmente pelan las cabezas de los tornillos y generalmente no comprimen completamente las arandelas de seguridad de los tornillos del motor. Utilice un destornillador de punta grande para realizar el ajuste final y comprimir completamente las arandelas. Esto ayudará a garantizar la alineación adecuada de la hoja y un funcionamiento sin ruidos y sin oscilaciones.



INSTALACIÓN DEL KIT DE LUZ Y CARCASA DEL INTERRUPTOR

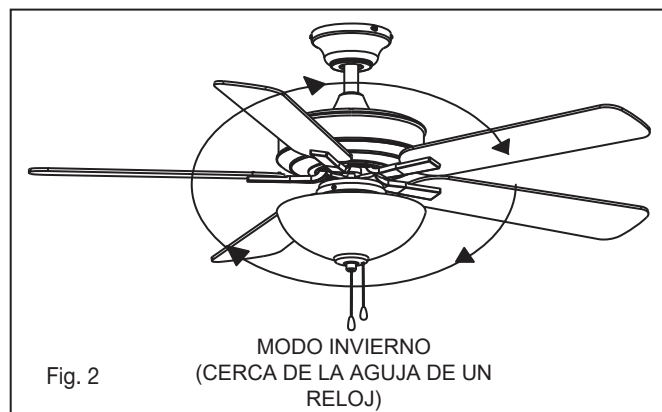
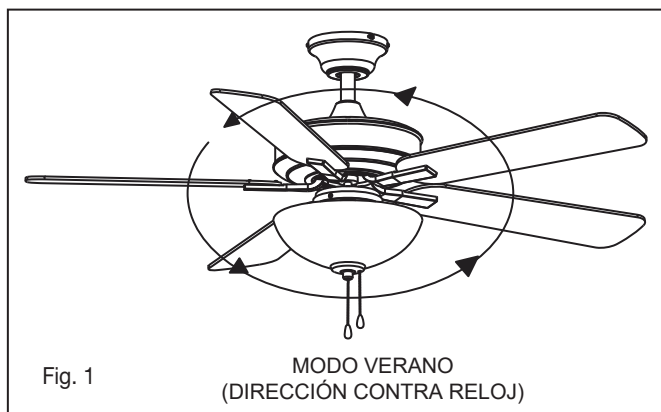
NOTA: Asegúrese de que la energía esté apagada antes de instalar.

- 1 Retire y deseche el enchufe de la caja del interruptor, conecte el juego de luces a la caja del interruptor pasando los cables del juego de luces (blanco y negro) a través del orificio de la caja del interruptor y luego atorníllelo en la caja del interruptor con la tuerca y la arandela de seguridad. Asegúrese de que esté lo suficientemente apretado para evitar que el kit de luz vibre y se suelte. (Figura 1)
- 2 Mientras sostiene el conjunto del juego de luces debajo del ventilador, encaje los enchufes de conexión de cables. (Figura 2)
- 3 Empuje con cuidado todos los cables de regreso a la caja del interruptor, luego instale el conjunto del juego de luces en la placa de montaje con los 3 tornillos provistos. Asegúrese de apretar todos los tornillos.
- 4 Instale bombillas LED de 9 vatios (incluidas). (Figura 2)
- 5 Retire la tuerca decorativa, la tapa de vidrio y la tuerca de metal del kit de luz. Coloque la pantalla de vidrio sobre el vástago del kit de luz, asegure con la tuerca de metal, la tapa de vidrio y la tuerca decorativa. No apriete demasiado. Inserte la cadena de tiro del ventilador a través del ojal del kit de luz, la pantalla y la tapa de vidrio. También inserte la cadena de tracción del kit de luz a través de la pantalla y la tuerca. (Figura 2)
- 6 Encienda la energía. ¡Su ventilador de techo Regency ya está listo para disfrutar!



OPERACIÓN

- 1 Encienda la alimentación y verifique el funcionamiento del ventilador. El ventilador se controla mediante el uso de la cadena de tracción de la siguiente manera:
 - un tirón = alta velocidad dos
 - tirones = velocidad media tres
 - tirones = baja velocidad cuatro
 - tirones = o ff
 - 2 Para un funcionamiento adecuado, asegúrese de que la cadena esté completamente bajada y suelta cada vez.
NOTA: Deje el interruptor de la cadena de tracción en la posición de "alta velocidad" cuando utilice controles opcionales.
 - 3 El interruptor deslizable en el lado de la caja del interruptor controla la rotación hacia adelante o hacia atrás. Asegúrese de que el interruptor no esté atascado entre las posiciones delantera y trasera.
 - 4 **IMPORTANTE:** Para evitar daños o lesiones, asegúrese de que el ventilador esté apagado y que las aspas hayan dejado de moverse por completo antes de intentar cambiar la dirección de rotación.
- Funcionamiento en modo verano e invierno:
- 5 El interruptor de marcha atrás se encuentra en la superficie de la caja del interruptor. Deslice el interruptor hacia la derecha para el funcionamiento en modo verano. Deslice el interruptor hacia la izquierda para operar en modo invierno.
- Modo verano (antes):
- 6 Un flujo de aire HACIA ABAJO crea un efecto de enfriamiento, como se muestra en la Figura 1. Esto le permite configurar su aire acondicionado en una configuración más cálida sin afectar su comodidad.
- Modo invierno (marcha atrás):
- 7 El flujo de aire HACIA ARRIBA mueve el aire más caliente del área del techo, como se muestra en la Figura 2. Esto le permite configurar su calentador en una configuración más fría sin comprometer su comodidad.



CUIDADO Y LIMPIEZA

Periódicamente puede ser necesario volver a apretar los tornillos de la hoja al brazo de la hoja o del brazo de la hoja a los tornillos del motor para evitar un chasquido o un zumbido durante el funcionamiento. Esto es especialmente cierto en climas con amplios rangos de temperatura y humedad.

Al desempolvacar las hojas, debe apoyar la hoja para evitar que se doble; no se debe aplicar presión a las hojas. Si experimenta alguna falla en el funcionamiento de su ventilador, verifique los siguientes puntos.

SOLUCIÓN DE PROBLEMAS

PRECAUCIÓN:

Desconecte la fuente de alimentación antes de realizar cualquiera de estas comprobaciones.

PROBLEMA

SOLUCIÓN

EL VENTILADOR
NO ARRANCA

1. Revise los disyuntores y / o fusibles principales y secundario
2. Verifique las conexiones del cable de línea al cableado de la carcasa del ventilador. Asegúrese de que interruptor de avance / retroceso esté en una u otra posición, no atascado en el medio.

FAN SUENA
RUIDOSO

1. Verifique y asegúrese de que todos los tornillos en la carcasa del motor estén ajustados (pero no demasiado apretados).
2. Verifique que los tornillos que sujetan los brazos de las aspas al motor estén apretado
3. Verifique que los conectores de cables en la caja del interruptor no hagan ruido entre sí o contra la pared interior la caja del interruptor.
4. Verifique que toda la cristalería esté apretada con los dedos y que las bombillas estén bien sujetas en los casquillo si se usa un juego de luces.
5. Verifique que el dosel esté firmemente sujeto al soporte colgante y que no vibre contra el tech

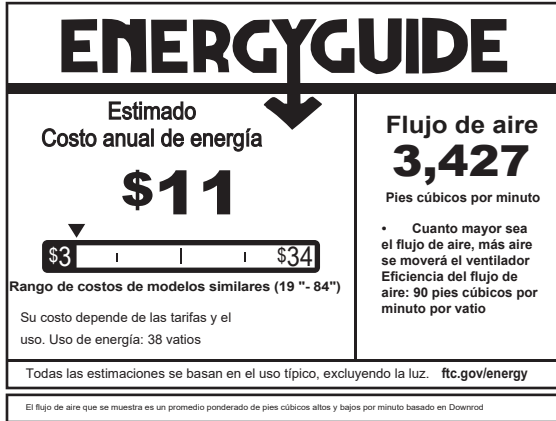
VENTILADOR
GOLPEA

1. Verifique que todas las cuchillas estén bien atornilladas en los brazos de las cuchillas. Verifique que todos los brazos la cuchilla estén firmemente sujetos al motor.
2. Verifique que el juego de luces (si lo hay) esté bien sujeto a la caja del interruptor y que todos los artículos de vidrio cortinas estén bien sujetos. La oscilación también puede resultar de las desviaciones más pequeñas en la distancia de la punta de la hoja a la punta de la hoja.
3. Si las medidas desde la punta de la hoja hasta la punta de la hoja no son iguales, afloje los tornillos que conectan hoja al brazo de la hoja de uno en uno y ajuste la (s) hoja (s) para que las distancias sean iguales.
4. El intercambio de palas adyacentes puede redistribuir la masa y resultar en un funcionamiento más suave. Los brazos de las hojas se pueden doblar ligeramente para restaurar el mismo paso en todas las hojas si una hoja es diferente a las otras hojas cuando se mira desde el borde.
5. La mayor parte del bamboleo se debe a una caja eléctrica o un soporte de montaje sueltos. Asegúrese de que estén apretados y que la bola esté completamente asentada en el soporte.
6. Utilice el kit de equilibrio de la hoja incluido si aún se nota el bamboleo de la hoja

ADVERTENCIA: PARA REDUCIR EL RIESGO DE LESIONES PERSONALES, NO DOBLE EL BRAZO DE LA HOJA MIENTRAS ESTÁ INSTALANDO, EQUILIBRANDO LAS HOJAS O LIMPIANDO EL VENTILADOR. NO INTRODUZCA OBJETOS EXTRAÑOS ENTRE LAS ASPAS DEL VENTILADOR GIRATORIO.

GUÍA DE ENERGÍA

INFORMACIÓN MEDIA DE DESEMPEÑO Y ENERGÍA



ESPECIFICACIONES

ESPECIFICACIONES DE RENDIMIENTO	ESTÁNDAR	
	ALTA VELOCIDAD	BAJA VELOCIDAD
Flujo de aire (CFM)	4823	1845
Energía usada (vatios)	61.9	11.1
Eficiencia de flujo de aire (CFM/W)	78	167
Costos de energía (anual)	\$11	\$1
Amplificadores	0.53	0.22
RPMs	165	66

INTELIGENTE POR BOND

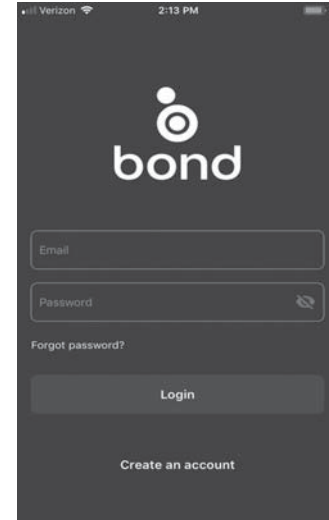
OPCIONES DE VENTILADOR INTELIGENTE HINKLEY

SE VENDE POR SEPARADO:

Además del control de pared incluido, puede controlar su ventilador Hinkley a través de la aplicación Bond.

- Para usar la aplicación, descárguela de forma gratuita desde App Store o Google Play.
- Abra la aplicación para crear su cuenta. También puede iniciar sesión con su cuenta de Facebook o Google.
- Luego, configure una conexión WiFi. Necesitará el SSID y la contraseña de WiFi para la red a la que desea conectarse.
- Recibirá un mensaje para elegir el acabado de su ventilador y nombrar su dispositivo de ventilador.
- La aplicación lo guiará a través de la pantalla principal y le mostrará cómo cambiar las velocidades de los ventiladores, atenuar la luz, configurar temporizadores o utilizar el modo brisa.

NOTA: Máximo de 2 ventiladores pueden operar en un circuito a través del control de pared. Un máximo de 12 ventiladores pueden operar en un circuito a través de un interruptor de encendido / apagado o interruptor cuando se utiliza la aplicación para el control del ventilador (sin el control de pared en el circuito).



<https://bondhome.io/app>

HINKLEY SE ENCUENTRA ORGULLOSO DE PROPORCIONARLE PRODUCTOS PARA VENTILADORES DE TECHO QUE MEJORAN SU ESPACIO CON COMODIDAD, PROPÓSITO Y ESTILO. COMO EMPRESA FAMILIAR, ESTAMOS COMPROMETIDOS CON EL DISEÑO, EL RENDIMIENTO Y LA CALIDAD, Y LO QUE ES IMPORTANTE PARA USTED ES PARAMOUNT PARA NOSOTROS.

PARA UN SURTIDO COMPLETO DE NUESTROS PRODUCTOS Y FUENTES DE LIBROS, VISITA HINKLEY.COM.

HINKLEY

GLOBAL HEADQUARTERS

33000 Pin Oak Parkway | Avon Lake, Ohio 44012

T (440) 653 5500 | F (440) 653 5555 | hinkley.com

HINKLEY

52" METRO ILLUMINATED™

VENTILATEUR LED INTÉRIEUR



MANUEL
D'INSTRUCTIONS
POUR LES
VENTILATEURS DE
PLAFOND

NOUS VOULONS VOUS AIMER VOTRE NOUVEAU FAN

NOUS SOMMES ICI SI VOUS AVEZ UNE QUESTION, BESOIN D'UNE AIDE OU VOULEZ CHAT SUR NOS PRODUITS. ENVOYER DES SUGGESTIONS NOTRE FAÇON AUSSI - NOUS CHERCHONS TOUJOURS À FAIRE DE VOTRE EXPÉRIENCE AVEC HINKLEY UNE POSITIVE.

> SERVICE@HINKLEY.COM

> [800.HINKLEY](tel:800.HINKLEY)

> [LET'S SEE THAT HINKLEY STYLE @HINKLEY](#)
[#HINKLEYSSTYLE](#)

Ce manuel contient des instructions complètes pour l'installation et le fonctionnement de ce ventilateur. Il a été conçu pour rendre le processus d'installation aussi simple que possible. Si vous n'êtes pas familier ou mal à l'aise avec le câblage, veuillez contacter un électricien qualifié. Si vous avez besoin d'aide supplémentaire ou avez des questions, n'hésitez pas à nous contacter.

Pour des informations sur la garantie, visitez hinkley.com.

TABLE DES MATIÈRES

02	INSTRUCTIONS GÉNÉRALES D'INSTALLATION ET D'UTILISATION	10	CONNECTIONS ELECTRIQUES
03	PRÉCAUTIONS DE SÉCURITÉ IMPORTANTES	11	ATTACHEMENT DE LA LAME
03	OUTILS ET MATÉRIAUX NÉCESSAIRES	12	INSTALLATION DU BOITIER D'INTERRUPTEUR ET DU KIT D'ÉCLAIRAGE
04	DÉBALLAGE DE VOTRE FAN	13	OPÉRATION
05	PRÉPARATION	14	ENTRETIEN ET NETTOYAGE
05	INSTALLATION DU SUPPORT DE SUSPENSION	14	DÉPANNAGE
06	INSTALLATION DU VENTILATEUR	15	GUIDE DE L'ÉNERGIE
07	INSTALLATION DU VENTILATEUR - CONFIGURATION HUGGER	15	CARACTÉRISTIQUES
09	INSTALLATION DU VENTILATEUR AVEC UN DOWNROD	15	SMART BY BOND

AVERTISSEMENT:

Lisez et suivez attentivement ces instructions et tenez compte de tous les avertissements indiqués

INSTRUCTIONS GÉNÉRALES D'INSTALLATION ET DE FONCTIONNEMENT

- 1 Pour assurer le succès de l'installation, assurez-vous de lire les instructions et de lire attentivement les schémas avant de commencer.
- 2 Pour éviter tout choc électrique, assurez-vous que l'électricité est coupée sur le boîtier d'alimentation principal avant le câblage. Toutes les connexions électriques doivent être effectuées conformément aux codes locaux, aux ordonnances et / ou au National Electric Code. Si vous n'êtes pas familier avec les méthodes d'installation du câblage et des produits électriques, faites appel aux services d'un électricien qualifié et agréé ainsi que de quelqu'un qui peut vérifier la résistance des éléments de plafond et effectuer les installations et les connexions appropriées.
- 3 **AVERTISSEMENT:** pour réduire le risque d'incendie, de choc électrique ou d'autres blessures corporelles, montez le ventilateur uniquement sur une boîte de sortie ou un système de support marqué comme acceptable pour un support de ventilateur de 35 lb (15,9 kg) ou moins et utilisez les vis de montage fournies avec la boîte de sortie. La plupart des boîtiers de sortie couramment utilisés pour le support des appareils d'éclairage ne sont pas acceptables pour le support du ventilateur et peuvent devoir être remplacés. Consulter un électricien qualifié en cas de doute.
- 4 Assurez-vous que votre site d'installation ne permettra pas aux pales de ventilateur en rotation d'entrer en contact avec un objet. Les lames doivent être à au moins 7 pieds du sol.
- 5 Les lames doivent être fixées une fois le boîtier du moteur suspendu et en place. Le boîtier du moteur du ventilateur doit être conservé dans le carton jusqu'à ce qu'il soit prêt à être installé pour protéger sa finition. Si vous installez plusieurs ventilateurs de plafond, assurez-vous de ne pas mélanger des ensembles de pales de ventilateur, car chaque pale fait partie d'un ensemble pondéré.
- 6 Après avoir effectué les connexions électriques, les conducteurs épissés doivent être tournés vers le haut et poussés avec précaution vers le haut dans la boîte de sortie. Les fils doivent être écartés avec le conducteur commun et le conducteur de mise à la terre sur un côté de la boîte de sortie, et le Fils "CHAUDS" de l'autre côté.
- 7 Les schémas électriques sont fournis à titre indicatif uniquement. Les kits d'éclairage qui ne sont pas emballés avec le ventilateur doivent être répertoriés UL et doivent être installés conformément aux instructions d'installation du kit d'éclairage.
- 8 Une fois le ventilateur complètement installé, assurez-vous que toutes les connexions sont sécurisées pour empêcher le ventilateur de tomber et / ou de causer des dommages ou des blessures.
- 9 Le ventilateur peut fonctionner immédiatement après l'installation - les roulements sont correctement chargés de graisse de sorte que, dans des conditions normales, une lubrification supplémentaire ne soit pas nécessaire pendant la durée de vie du ventilateur.
- 10 Pour activer la fonction d'inversion sur ce ventilateur, appuyez sur le bouton d'inversion pendant que le ventilateur fonctionne.

PRÉCAUTIONS DE SÉCURITÉ IMPORTANTES

AVERTISSEMENTS:

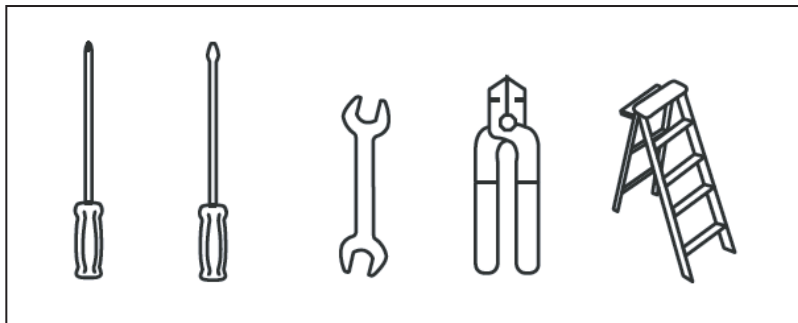
- Coupez l'alimentation en retirant le fusible ou en fermant le disjoncteur avant d'installer le ventilateur et / ou l'éclairage en option.
- Support directement à partir de la structure du bâtiment.
- Pour réduire le risque d'incendie, d'électrocution ou de blessure, montez sur la boîte de sortie marquée "acceptable pour le support du ventilateur" et utilisez les vis de montage fournies avec la boîte de sortie. La plupart des boîtiers de sortie couramment utilisés pour le support des appareils d'éclairage ne sont pas acceptables pour le support du ventilateur et peuvent devoir être remplacés. Consulter un électricien qualifié en cas de doute.
- N'utilisez pas de gradateur de lumière incandescente. N'utilisez pas ce ventilateur avec un dispositif de contrôle de vitesse de ventilateur de type transformateur.
- Pour réduire le risque de blessures corporelles, ne pliez pas les bras des pales lors de leur installation, de l'équilibrage des pales ou du nettoyage du ventilateur.
- N'insérez aucun objet entre les pales du ventilateur en rotation.

REMARQUE:

Les précautions, garanties et instructions importantes figurant dans ce manuel ne sont pas destinées à couvrir toutes les conditions et situations possibles qui peuvent survenir. Il faut comprendre que le bon sens, la prudence et la prudence sont des facteurs qui ne peuvent être intégrés à ce produit. Ces facteurs doivent être fournis par la ou les personnes installant, prenant soin et utilisant l'appareil.

OUTILS ET MATÉRIAUX REQUIS

- TOURNEVIS CRUCIFORME
- TOURNEVIS PLAT
- CLÉ OU PINCE
- COUPE-FIL
- ESCABEAU
- FOURNITURES DE CÂBLAGE
COMME REQUIS PAR LE CODE
ÉLECTRIQUE



DÉBALLAGE DE VOTRE FAN

DÉBALLER VOTRE FAN ET VÉRIFIER LE CONTENU

- Ne jetez pas le carton. Si un remplacement ou une réparation sous garantie est nécessaire, le ventilateur doit être retourné dans son emballage d'origine. Retirez toutes les pièces et le matériel. Ne posez pas le boîtier du moteur sur le côté, sinon le boîtier décoratif pourrait se déplacer, être plié ou endommagé.
- Examinez toutes les pièces. Vous devriez avoir les éléments suivants:

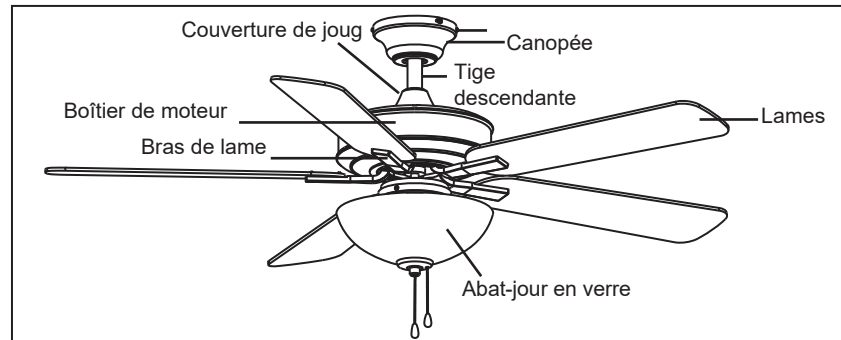
	CONTENU DE L'EMBALLAGE ILLUMINÉ MARQUIS		
	1	Ensemble de 5 lames	BL903352Fxx
	2	Support de suspension	CA901552Fxx
	3	Auvent avec anneau de garniture	
	4	Assemblage de la tige descendante	DR94014Fxx
	5	Couverture de joug	YC900460Fxx
		Boîtier de ventilateur avec moteur * Retirez les supports d'expédition en caoutchouc autour du moteur, le cas échéant. Conservez les vis	x
	7	Ensemble de bras de lame de 5	BLI903352Fxx
	8	Plaque d'adaptation	x
	9	Boîtier d'interrupteur détachable avec faisceau de câbles	SWH903352Fxx
	10	Kit lumière	LK903352Fxx
	11	Abat-jour en verre	GL903352WETCH
	12	Ampoules LED 9 watts (2)	E901752LEDLMP
13	Sac de matériel		
	Tirez la chaîne avec Fob, Matériel de montage du support (vis à bois, vis, rondelles de blocage, rondelles en étoile, rondelles plates, écrous de fil), Vis de bras de lame et rondelles en fibre, Crochet en «S» (ventilateur de support pour le câblage), vis avec rondelles de blocage - Encastré (3), Joint en caoutchouc - Montage encastré, kit d'équilibrage, Matériel de câble de sécurité (vis à bois, rondelle plate)	MH903352Fxx	
XX=FINITION DU VENTILATEUR			
<p>REMARQUE: La conception des pièces illustrées ci-dessus peut sembler légèrement différente pour votre modèle de ventilateur spécifique.</p>			

PRÉPARATION

PRÉPARATION:

Vérifiez que vous disposez de toutes les pièces avant de commencer l'installation. Vérifiez attentivement l'insert en mousse pour les pièces manquantes. Retirez le moteur de l'emballage. Pour éviter d'endommager la finition, assemblez le moteur sur une surface rembourrée ou utilisez l'insert en mousse d'origine dans le boîtier du moteur.

NE PAS POSER LE BOÎTIER DU MOTEUR SUR SON CÔTÉ, CELA POURRAIT CAUSER LE CHANGEMENT DU MOTEUR DANS L'ENVELOPPE DÉCORATIVE.



Identification des pièces sur le ventilateur assemblé

INSTALLATION DU SUPPORT DE SUSPENSION

ATTENTION: Pour éviter tout risque d'électrocution, assurez-vous que l'électricité est coupée au niveau du boîtier d'alimentation principal avant le câblage. Tout le câblage doit être conforme aux codes électriques nationaux et locaux et le ventilateur de plafond doit être mis à la terre par mesure de précaution contre un éventuel choc électrique.

- 1 Localisez la solive de plafond à l'endroit où le ventilateur doit être installé, en vous assurant que l'emplacement est conforme aux exigences de la section dégagement minimum de ce guide. Les solives de bois doivent être solides et de taille adéquate pour supporter 35 livres (voir page 2, éléments 3 et 4).
- 2 S'il n'est pas déjà présent, montez une boîte de sortie homologuée UL marquée «approprié pour le support du ventilateur» en suivant les instructions fournies avec la boîte de sortie. La boîte de sortie doit pouvoir supporter un minimum de 35 livres.
- 3 Retirez la verrière du support de suspension. Retirez l'anneau de garniture à verrouillage par rotation en tournant dans le sens antihoraire. Retirez la vis de la verrière qui n'a pas de fente pour clé dans la verrière. Desserrez la vis avec la fente pour clé et retirez la verrière.
- 4 Fixez le support de suspension à la boîte de sortie à l'aide des vis fournies avec la boîte de sortie.

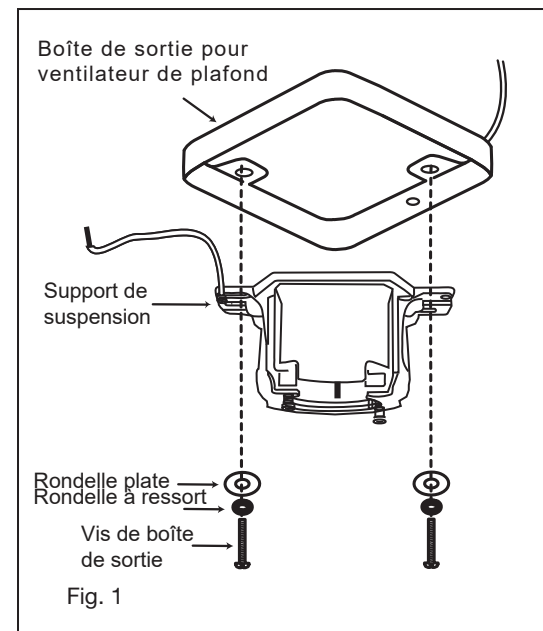


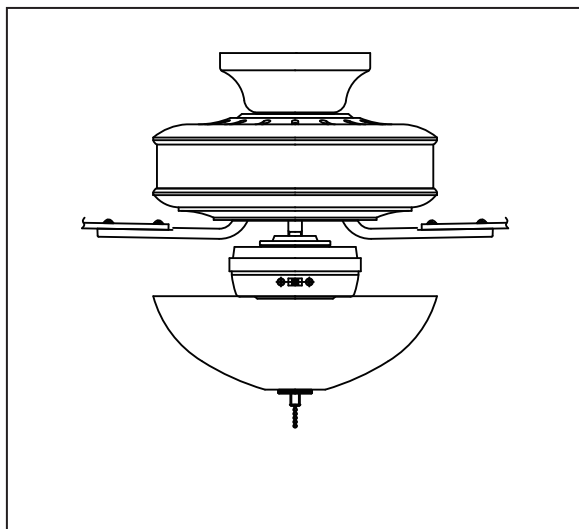
Fig. 1

INSTALLATION DU VENTILATEUR

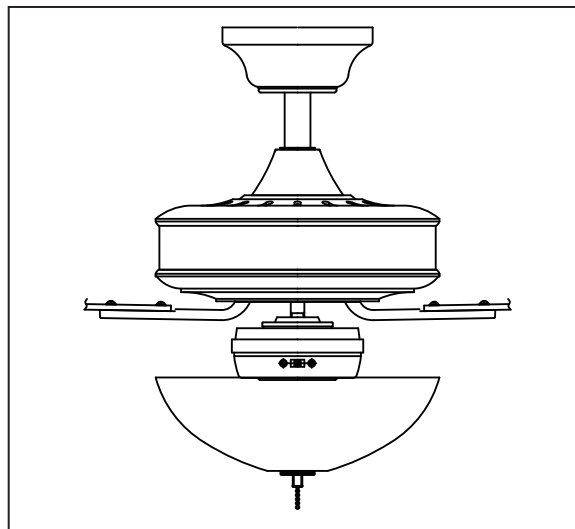
Ce ventilateur a deux options d'installation:

Les configurations de tige de descente de 4,5 "et de hugger sont disponibles avec votre ventilateur. Une configuration de Hugger peut être souhaitée dans une situation de plafond bas. Les lames seront à environ 8-10" du plafond.

HUGGER DE CONFIGURATION



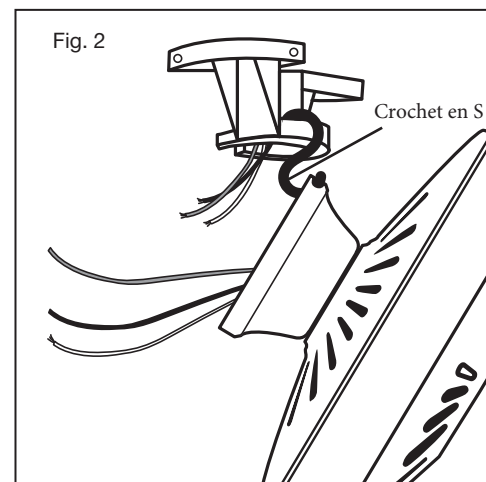
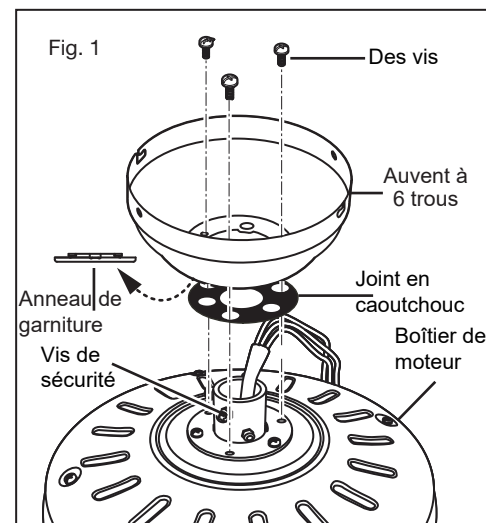
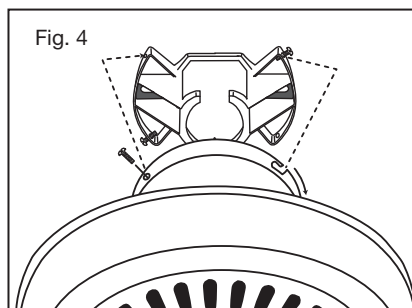
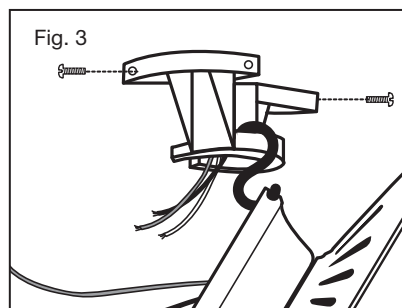
CONFIGURATION DU DOWNROD



INSTALLATION DU VENTILATEUR - CONFIGURATION HUGGER

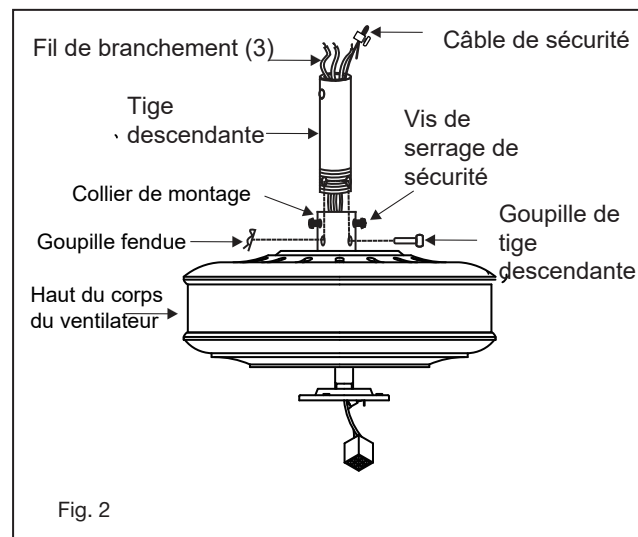
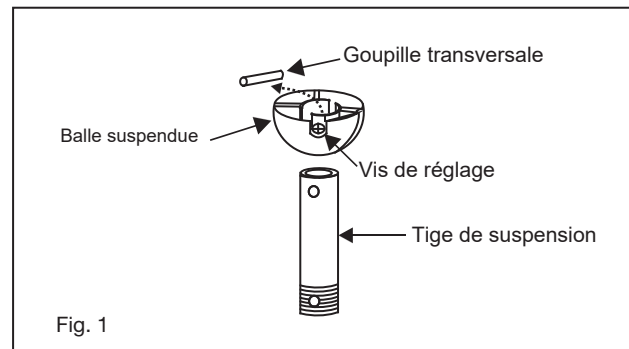
REMARQUE: le crochet en S doit être utilisé pour un montage de style hugger.

- 1 Retirez l'anneau de garniture de l'auvent pour exposer les 6 trous de montage. La tige descendante, la bille et la goupille fendue ne seront pas utilisées pour ce montage (Fig. 1).
- 2 Faites passer les fils du ventilateur à travers le joint en caoutchouc et la canopée et positionnez la canopée sur le collier de montage sur le dessus du ventilateur. Les 2 vis de sécurité du collier ne seront pas utilisées et peuvent être tournées complètement dans le collier pour faciliter la fixation de la verrière. (Fig. 1)
- 3 Alignez la canopée sur le dessus du ventilateur de sorte que les 3 grands trous se trouvent sur les 3 vis maintenant le collier au ventilateur. Les 3 petits trous seront alors alignés avec les 3 trous ouverts en haut du ventilateur.
- 4 Fixez solidement la verrière au sommet du ventilateur à l'aide des 3 vis de montage fournies.
AVERTISSEMENT: pour éviter d'endommager les bras de pale et les pales, ne les installez pas sur le ventilateur tant que le ventilateur n'est pas fixé au plafond.
- 5 Placez le crochet en S sur le support de suspension. Accrochez l'auvent (avec le boîtier du moteur du ventilateur fixé) au crochet S sur le support de suspension en utilisant l'un des trous dans le bord de l'auvent (Fig. 2). Cela vous permettra d'effectuer les connexions électriques sans avoir à maintenir le ventilateur en place.
- 6 Effectuez les connexions des câbles comme décrit dans «Connexions électriques» (page 9).
- 7 Insérez 2 vis dans le support de suspension, en les laissant partiellement à l'extérieur (Fig. 3).
- 8 Fixez la verrière au support de suspension en insérant les ouvertures de logement de clé de la verrière sur les vis du support de suspension (Fig.4), et tournez le ventilateur vers la droite pour engager les vis dans la fente de clé.
- 9 Insérez les 2 vis restantes dans les trous restants de l'auvent et serrez les 4 vis.



SUSPENDRE LE VENTILATEUR

- 1 Retirez la bille de la tige descendante en desserrant la vis de réglage sur le côté de la bille. Faites glisser la bille vers le bas et retirez la goupille à billes retirer la bille. (Fig. 1)
- 2 Soutenez soigneusement le corps du ventilateur (moteur) dans son emballage en polystyrène avec le collier de montage (où les fils sortent) vers le haut.
- 3 Desserrez les deux vis de réglage de sécurité et retirez la goupille de tige de descente au lieu de la goupille d'attelage de l'accouplement sur le dessus de l'assemblage du moteur. (Fig. 2)
- 4 Faites passer soigneusement les fils électriques et le câble de sécurité du ventilateur à travers la tige de descente. Vissez la tige descendante dans le coupleur jusqu'à ce que les trous s'alignent. Insérez la goupille de la tige descendante dans les trous du collier de montage et de la tige descendante; attachez la goupille fendue à travers le petit trou à l'extrémité de la tige de descente pour maintenir la tige de descente en place.
- 5 Serrez les vis de sécurité contre la tige de descente à l'aide d'un gros tournevis à lame plate pour assurer un ajustement serré contre la tige de descente. Serrez les écrous contre le collier de montage.



- 1 Glissez la verrière sur la tige de descente. (Fig. 3)
- 2 Faites glisser la boule de suspension sur la tige descendante, insérez la goupille transversale dans la tige descendante et serrez. Serrez la vis de réglage.

REMARQUE:
6 pieds de fil de plomb sont fournis sur le ventilateur pour une utilisation avec des tiges plus longues.

- 3 Soulevez la bille / tige descendante / ventilateur dans l'ouverture du support de suspension.
- REMARQUE:** La languette opposée à l'ouverture du support de suspension doit s'insérer dans la fente de la bille. (Fig. 4)
- 4 Effectuez les connexions des fils, (reportez-vous à la section intitulée «Connexions électriques»).
 - 5 Faites glisser l'auvent vers le haut et fixez-le au support de suspension avec 4 vis fournies.

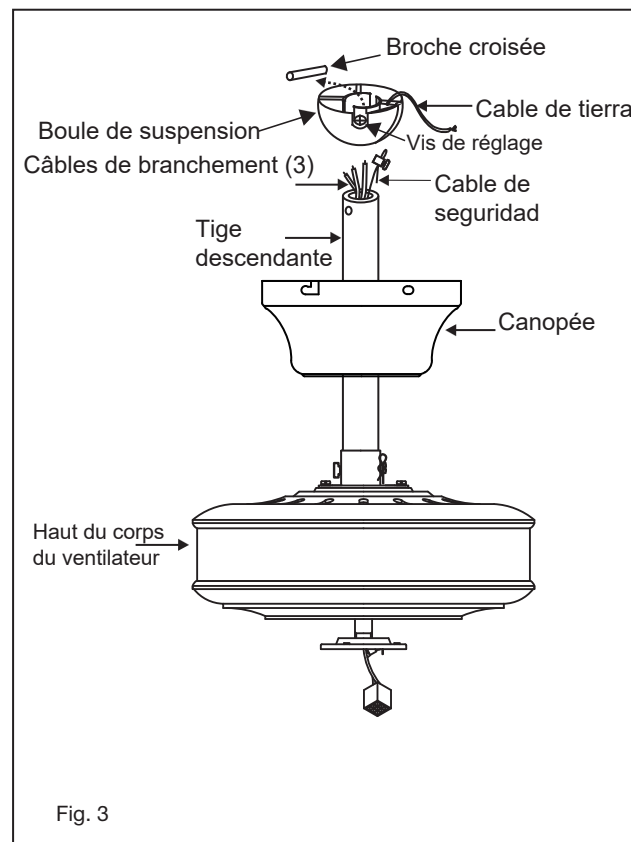


Fig. 3

INSTALLATION DU SUPPORT DE CÂBLE DE SÉCURITÉ

Fixez la vis à bois et la rondelle plate à la solive du plafond comme illustré (ne serrez pas complètement). Faites glisser le serre-câble sur le câble de sécurité du ventilateur. Enroulez le câble de sécurité autour de la vis à bois qui vient d'être fixée à la solive de plafond. Faites passer l'extrémité du câble dans la pince et tirez autant de câble que possible. Serrez fermement la vis du collier. Couper le câble en excès.

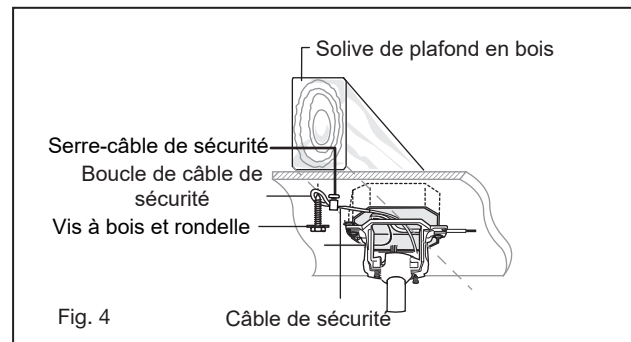


Fig. 4

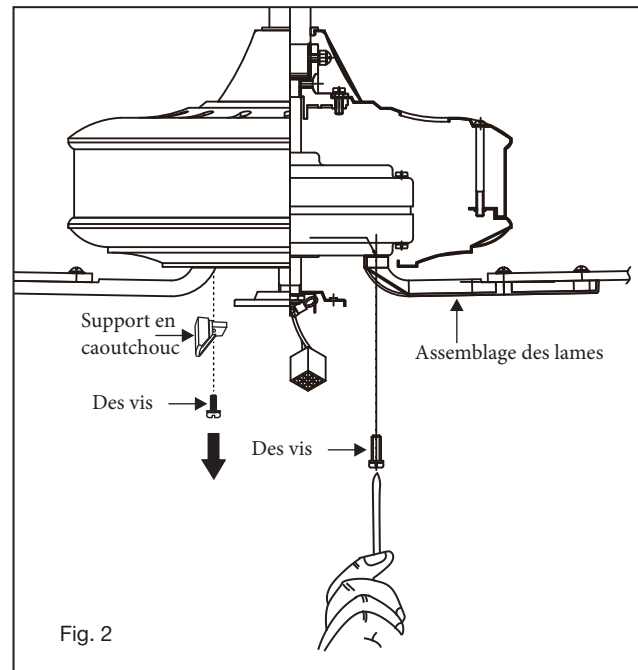
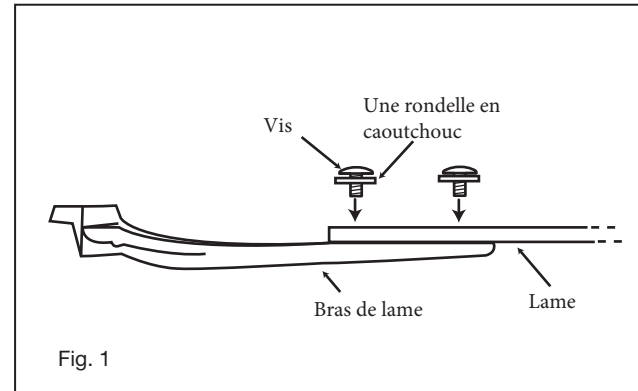
FIXATION DE LA LAME

REMARQUE : L'ensemble moteur du ventilateur est expédié avec des supports en caoutchouc, pour empêcher tout mouvement pendant le transport. Retirez les supports en caoutchouc de l'ensemble moteur du ventilateur et jetez-les avant de fixer les bras de pale.

- 1 Placez la rondelle en caoutchouc sur la vis. Insérez cet ensemble à travers la lame et insérez la vis dans le bras de la lame. Répétez cette procédure sans serrer la vis jusqu'à ce que les 3 vis soient insérées dans le bras de lame (Fig. 1).
- 2 Serrez chaque vis en commençant par la vis centrale.
- 3 Fixez l'ensemble de lame au moteur avec les vis fournies et les rondelles de blocage. Répétez la procédure pour les lames restantes (Fig. 2). Assurez-vous que les vis sont bien serrées ! Les vis du moteur desserrées peuvent contribuer à un bourdonnement inutile pendant le fonctionnement.

NOTE:

Les tournevis électriques sans fil ne sont PAS recommandés, car ils dénudent généralement les têtes des vis et ne compriment généralement pas complètement les rondelles de blocage des vis du moteur. Utilisez un tournevis à lame large pour le serrage final afin de comprimer complètement les rondelles. Cela aidera à garantir un bon alignement des lames et un fonctionnement sans bruit et sans oscillation.



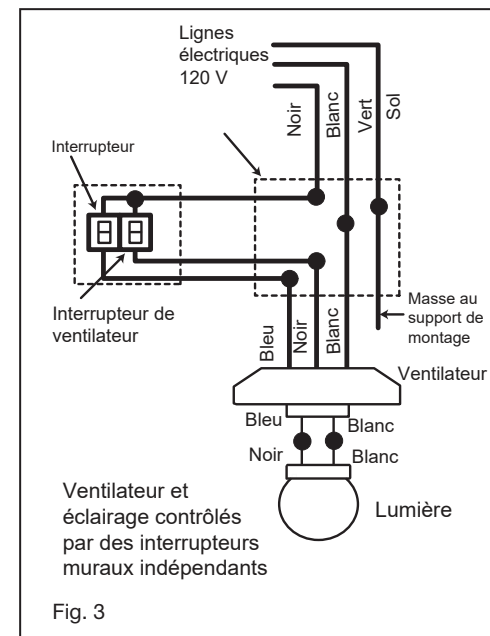
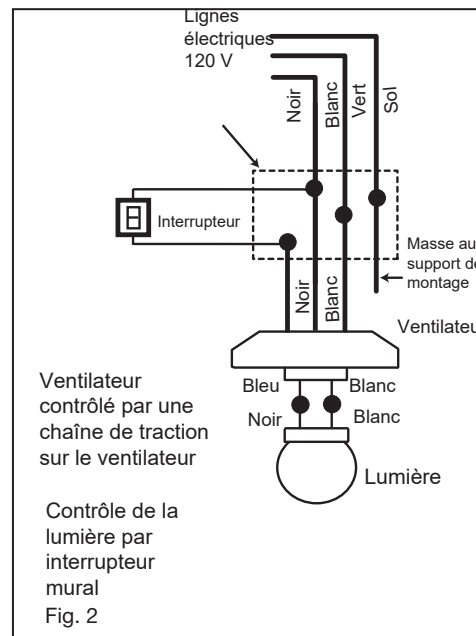
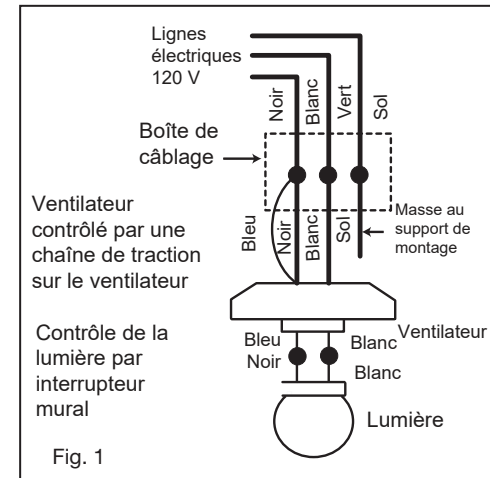
CONNEXIONS ELECTRIQUES

AVERTISSEMENT: assurez-vous que l'électricité est coupée sur le boîtier d'alimentation principal avant de câbler

- 1 Quatre fils sont connectés au ventilateur.
 - * Noir - c'est la puissance "chaude" pour faire fonctionner le ventilateur.
 - * Blanc - c'est la puissance "commune" pour faire fonctionner le ventilateur et la lumière.
 - * Bleu - c'est la puissance "chaude" pour le kit d'éclairage.
 - * Fil de terre vert (sur support ou tige de suspension).
- 2 Si le ventilateur et la lumière doivent être connectés au même circuit, les fils noir et bleu peuvent tous les deux être connectés au fil noir du circuit de la maison.

REMARQUE: L'autre extrémité du fil bleu (circuit d'éclairage) se trouve dans le boîtier du commutateur avec un écrou de fil et une étiquette pour la fixation du kit d'éclairage. Le fil blanc (commun pour le kit d'éclairage) est également là.

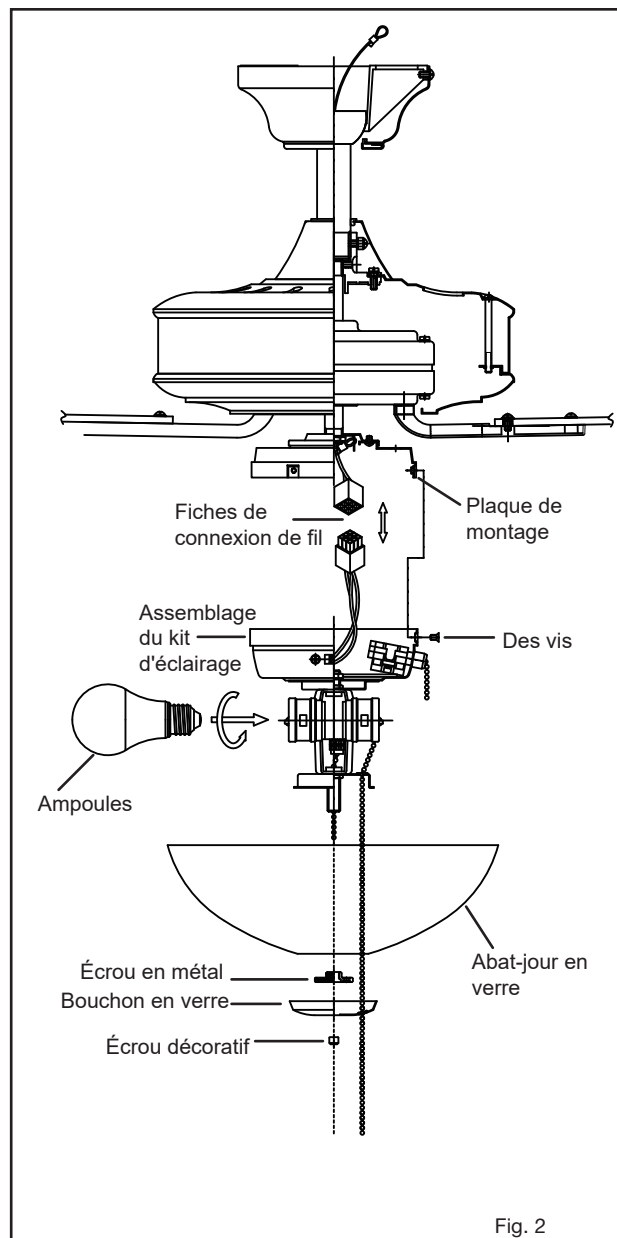
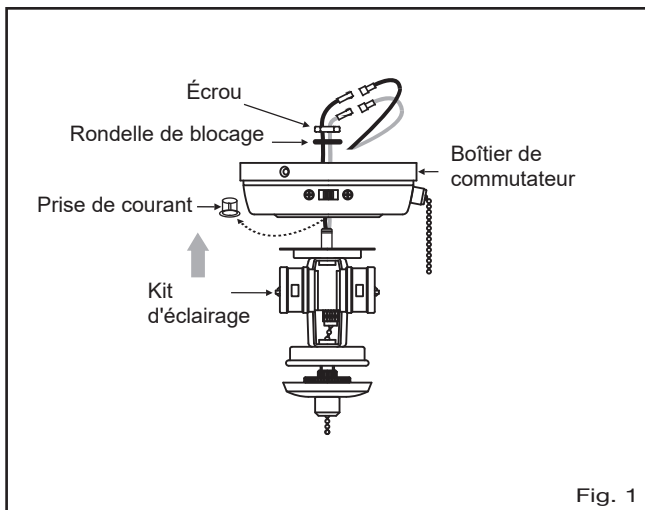
AVERTISSEMENT: si le kit d'éclairage n'est pas utilisé, NE PAS connecter de fil bleu au plafond.



INSTALLATION DU BOITIER D'INTERRUPTEUR ET DU KIT D'ÉCLAIRAGE

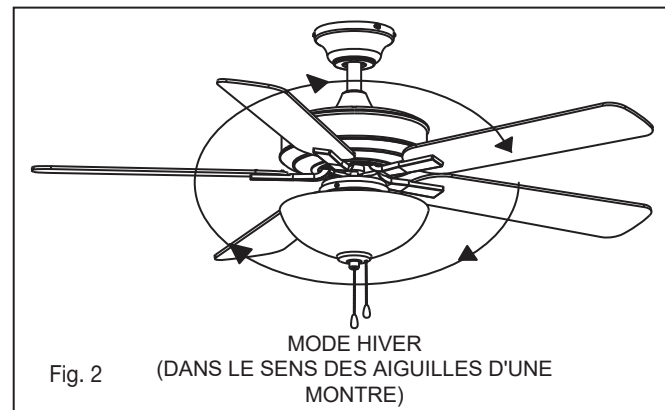
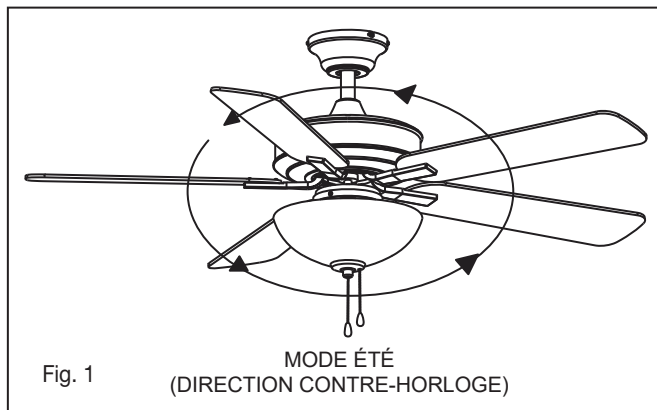
- 1 **REMARQUE:** assurez-vous que l'alimentation est coupée avant l'installation.

Retirez et jetez la fiche du boîtier du commutateur, fixez le kit d'éclairage au boîtier du commutateur en faisant passer les fils du kit d'éclairage (noir et blanc) à travers le trou du boîtier du commutateur, puis vissez-le sur le boîtier du commutateur à l'aide d'un écrou et d'une rondelle de blocage. Assurez-vous qu'il est suffisamment serré pour éviter que le kit d'éclairage ne vibre. (Fig. 1)
- 2 Tout en maintenant le kit d'éclairage sous votre ventilateur, enclenchez les fiches de connexion des fils. (Fig. 2)
- 3 Poussez soigneusement tous les fils dans le boîtier de l'interrupteur, puis installez l'ensemble du kit d'éclairage sur la plaque de montage à l'aide des 3 vis fournies. Assurez-vous de serrer toutes les vis.
- 4 Installez des ampoules LED de 9 watts (incluses). (Fig. 2)
Retirez l'écrou décoratif, le capuchon en verre et l'écrou métallique du kit d'éclairage. Placez l'abat-jour en verre sur la tige du kit d'éclairage, fixez-le avec l'écrou métallique, le capuchon en verre et l'écrou décoratif. Ne pas trop serrer.
- 5 Insérez la chaîne de traction du ventilateur dans l'œillet du kit d'éclairage, de l'abat-jour et du capuchon en verre. Insérez également la chaîne de traction du kit d'éclairage à travers le store et l'écrou. (Fig. 2)
- 6 Mettez l'appareil sous tension. Votre ventilateur de plafond Regency est maintenant prêt à être utilisé!



OPÉRATION

- 1 Mettez sous tension et vérifiez le fonctionnement du ventilateur. Le ventilateur est contrôlé par l'utilisation de la chaîne de traction comme suit:
une traction = haute vitesse
deux traction = vitesse
moyenne trois traction = basse
vitesse quatre traction = o ff
- 2 Pour un fonctionnement correct, assurez-vous que la chaîne est complètement abaissée et relâchée à chaque fois.
REMARQUE: laissez l'interrupteur de la chaîne de traction en position «haute vitesse» lorsque vous utilisez des commandes en option.
- 3 L'interrupteur à glissière sur le côté du boîtier de l'interrupteur commande la rotation avant ou arrière. Assurez-vous que l'interrupteur n'est pas coincé entre les positions avant et arrière.
- 4 IMPORTANT: pour éviter tout dommage ou blessure, assurez-vous que le ventilateur est éteint et que les pales ont complètement cessé de bouger avant de tenter de changer le sens de rotation.
Fonctionnement en mode été et en mode hiver:
- 5 L'interrupteur de marche arrière est situé sur la surface du boîtier de l'interrupteur. Faites glisser le commutateur vers la droite pour le fonctionnement en mode été. Faites glisser l'interrupteur vers la gauche pour le fonctionnement en mode hiver.
Mode été (avant):
- 6 Un flux d'air VERS LE BAS crée un e et de refroidissement, comme illustré à la figure 1. Cela vous permet de régler votre climatiseur sur un réglage plus chaud sans affecter votre confort.
- 7 Mode hiver (marche arrière):
Un flux d'air VERS LE HAUT déplace l'air plus chaud de la zone du plafond, comme illustré à la figure 2. Cela vous permet de régler votre appareil de chauffage sur un réglage plus frais sans nuire à votre confort.



ENTRETIEN ET NETTOYAGE

Périodiquement, il peut être nécessaire de resserrer les vis de la lame sur le bras de la lame ou du bras de la lame sur les vis du moteur pour éviter les cliquetis ou les bourdonnements pendant le fonctionnement. Cela est particulièrement vrai dans les climats avec de larges plages de température et d'humidité.

Lors de l'époussetage des lames, vous devez soutenir la lame pour éviter qu'elle ne se plie - aucune pression ne doit être appliquée sur les lames. Si vous rencontrez des défauts dans le fonctionnement de votre ventilateur, veuillez vérifier les points suivants.

DÉPANNAGE

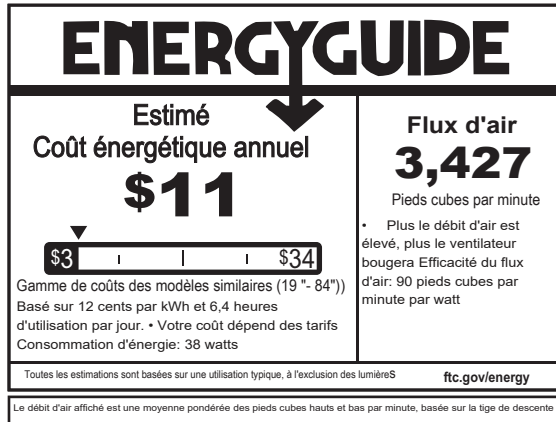
MISE EN GARDE:
Coupez l'alimentation électrique avant d'effectuer l'un de ces contrôles.

PROBLÈME	SOLUTION
LE VENTILATEUR NE DÉMARRE PAS	<ol style="list-style-type: none">1. Vérifiez les disjoncteurs principaux et de dérivation et / ou les fusible2. Vérifiez les connexions des fils de ligne au câblage du boîtier du ventilateur. Assurez-vous que le commutateur marche avant / arrière est réglé sur l'une ou l'autre des positions et non coincé entre les deux.
BRUIT DES VENTILATEURS	<ol style="list-style-type: none">1. Vérifiez et assurez-vous que toutes les vis du carter du moteur sont bien serrées (mais pas trop serrées)2. Vérifiez que les vis fixant les bras de lame au moteur sont bien serrée3. Vérifiez que les connecteurs de fils dans le boîtier de l'interrupteur ne vibrent pas les uns contre les autres ou cont la paroi intérieure du boîtier de l'interrupteur.4. Vérifiez que toute la verrerie est bien serrée et que les ampoules sont bien tenues dans les douilles, si un k d'éclairage est utilisé.5. Vérifiez que l'auvent est solidement fixé au support de suspension et ne vibre pas contre le plafon
WOBBLES DE VENTILATEUR	<ol style="list-style-type: none">1. Vérifiez que toutes les lames sont fermement vissées dans les bras de lame. Vérifiez que tous les bras de lame so solidement fixés au moteur.2. Assurez-vous que le kit d'éclairage (le cas échéant) est solidement fixé au boîtier de l'interrupteur et que toute la verrerie et les stores sont correctement fixés. L'oscillation peut également résulter des plus petits écarts de distance entre l'extrémité de la lame et l'extrémité de la lame.3. Si les mesures de la pointe de la lame à la pointe de la lame ne sont pas égales, desserrez les vis reliant la lame au br de lame une par une et ajustez la ou les lames de sorte que les distances soient égales.4. L'échange de lames adjacentes peut redistribuer la masse et permettre un fonctionnement plus fluide. Les bras de la peuvent être légèrement pliés pour redonner le même pas à toutes les lames si une lame est différente des autres lames lorsque le bord est vu.5. La plupart des oscillations peuvent être attribuées à une boîte électrique ou un support de montage desserré. Assure vous que ceux-ci sont bien serrés et que la boule est complètement insérée dans le support.6. Utilisez le kit d'équilibrage de lame fourni si l'oscillation de la lame est toujours visibl

AVERTISSEMENT: POUR RÉDUIRE LES RISQUES DE BLESSURES CORPORELLES, NE PLIEZ PAS LE BRAS DE LA LAME PENDANT L'INSTALLATION, L'ÉQUILIBRAGE DES LAMES OU LE NETTOYAGE DU VENTILATEUR. NE PAS INSÉRER D'OBJETS ÉTRANGERS ENTRE LES LAMES DE VENTILATEUR EN ROTATION.

GUIDE ÉNERGÉTIQUE

PERFORMANCE MOYENNE ET INFORMATIONS ÉNERGÉTIQUES



CARACTÉRISTIQUES

ESPECIFICACIONES DE RENDIMIENTO	ESTÁNDAR	
	ALTA VELOCIDAD	BAJA VELOCIDAD
Flujo de aire (CFM)	4823	1845
Energía usada (vations)	61.9	11.1
Eficiencia de flujo de aire (CFM/W)	78	167
Costos de energía (anual)	\$11	\$1
Amplificadores	0.53	0.22
RPMs	165	66

SMART BY BOND

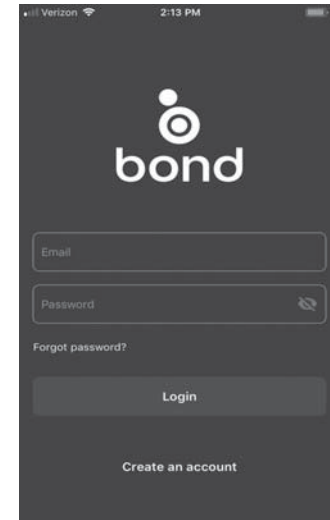
OPTIONS DE VENTILATEUR HINKLEY SMART

VENDU SÉPARÉMENT:

En plus du contrôle mural inclus, vous pouvez contrôler votre ventilateur Hinkley via l'application Bond.

- Pour utiliser l'application, téléchargez-la gratuitement depuis l'App Store ou Google Play.
- Ouvrez l'application pour créer votre compte. Vous pouvez également vous connecter avec votre compte Facebook ou Google.
- Ensuite, configurez une connexion WiFi. Vous aurez besoin du SSID et du mot de passe WiFi pour le réseau auquel vous souhaitez vous connecter.
- Vous serez invité à choisir la finition de votre ventilateur et à nommer votre périphérique de ventilateur.
- L'application vous guidera à travers l'écran principal et vous montrera comment modifier la vitesse des ventilateurs, atténuer la lumière, régler les minuteries ou utiliser le mode brise.

REMARQUE: 2 ventilateurs maximum peuvent fonctionner sur un circuit via la commande murale. Un maximum de 12 ventilateurs peuvent fonctionner sur un circuit via un interrupteur marche / arrêt ou un disjoncteur lors de l'utilisation de l'application pour la commande du ventilateur (sans la commande murale dans le circuit).



<https://bondhome.io/app>

HINKLEY EST FIER DE VOUS FOURNIR DES PRODUITS POUR VENTILATEURS DE PLAFOND QUI AMÉLIORENT VOTRE ESPACE AVEC CONFORT, BUT ET STYLE. EN TANT QU'ENTREPRISE FAMILIALE, NOUS SOMMES ENGAGÉS À LA CONCEPTION, À LA PERFORMANCE ET À LA QUALITÉ, ET CE QUI EST IMPORTANT POUR VOUS EST PARAMOND POUR NOUS. POUR UN ASSORTIMENT COMPLET DE NOS PRODUITS ET LIVRES SOURCE, CONSULTEZ HINKLEY.COM.

HINKLEY

GLOBAL HEADQUARTERS

33000 Pin Oak Parkway | Avon Lake, Ohio 44012

T (440) 653 5500 | F (440) 653 5555 | hinkley.com