

HINKLEY

64" TALAN™

INDOOR / OUTDOOR LED FAN



DAMP



DC MOTOR



LED



Intertek



WIFI



**READY
TO USE.**

**CONTROL
PRE-PAIRED.**

CEILING FAN INSTRUCTION MANUAL



HINKLEY

PAIR WITH HINKLEY APP

DOWNLOAD ON [APP STORE](#) or [GOOGLE PLAY](#)

WE WANT YOU TO LOVE YOUR NEW FAN

SO WE'RE HERE IF YOU HAVE A QUESTION, NEED SOME HELP OR WANT TO CHAT ABOUT OUR PRODUCTS. SEND SUGGESTIONS OUR WAY TOO—WE'RE ALWAYS LOOKING TO MAKE YOUR EXPERIENCE WITH HINKLEY A POSITIVE ONE.

> **SERVICE@HINKLEY.COM**

> **800.HINKLEY**

> **LET'S SEE THAT HINKLEY STYLE @HINKLEY
#HINKLEYSSTYLE**

This manual contains complete instructions for the installation and operation of this fan. It has been designed to make the installation process as easy as possible. If you are unfamiliar or uncomfortable with wiring, please contact a qualified electrician. If you need additional assistance or have any questions, please reach out to us.

For warranty information, visit hinkley.com.

TABLE OF CONTENTS

| | | | |
|----|---|----|--|
| 02 | GENERAL INSTALLATION & OPERATING INSTRUCTIONS | 13 | INSTALLING THE LED ASSEMBLY AND PC SHADE |
| 03 | IMPORTANT SAFETY PRECAUTIONS | 15 | INSTALLING THE WALL CONTROL |
| 03 | TOOLS & MATERIALS REQUIRED | 17 | OPERATION |
| 05 | UNPACKING YOUR FAN | 19 | CARE AND CLEANING |
| 06 | PREPARATION | 19 | TROUBLESHOOTING |
| 06 | INSTALLING THE HANGING BRACKET | 20 | ENERGY GUIDE |
| 07 | INSTALLING THE BLADES | 20 | SPECIFICATIONS |
| 09 | HANGING THE FAN | 21 | HINKLEY APP / WIFI |
| 11 | ELECTRICAL CONNECTIONS | | |
| 12 | CEILING CANOPY INSTALLATION | | |

**READY
TO USE.**

**CONTROL
PRE-PAIRED.**

NOTE: If PAIRING is necessary, refer to the control pairing instruction in the operation section of this Instruction Manual.

WARNING:

Read and follow these instructions carefully and be mindful of all warnings shown throughout.

GENERAL INSTALLATION & OPERATION INSTRUCTIONS

- 1 To ensure the success of the installation, be sure to read the instructions and review the diagrams thoroughly before beginning.
- 2 To avoid possible electric shock, be sure electricity is turned off at the main power box before wiring. All electrical connections must be made in accordance with local codes, ordinances and/or the National Electric Code. If you are unfamiliar with the methods of installing electrical wiring and products, secure the services of a qualified and licensed electrician as well as someone who can check the strength of the supportive ceiling members and make the proper installation(s) and connections.
- 3 **WARNING:** To reduce the risk of fire, electric shock, or other personal injury, mount fan only on an outlet box or supporting system marked acceptable for fan support of 35 lbs (15.9 kg) or less and use mounting screws provided with the outlet box. Most outlet boxes commonly used for the support of lighting fixtures are not acceptable for fan support and may need to be replaced. Consult a qualified electrician if in doubt.
- 4 Make sure that your installation site will not allow rotating fan blades to come in contact with any object. Blades should be at least 7 feet from floor.
- 5 Fan motor housing should be kept in the carton until ready to be installed to protect its finish. If you are installing more than one ceiling fan, make sure that you do not mix fan blade sets, as each blade is part of a weighted set.
- 6 After making electrical connections, spliced conductors should be turned upward and pushed carefully up into outlet box. The wires should be spread apart with the common conductor and the grounding conductor on one side of the outlet box, and the "HOT" wires on the other side.
- 7 Electrical diagrams are for reference only. Light kits that are not packed with the fan must be UL listed and should be installed per the light kit's installation instructions.
- 8 After fan is completely installed, check to make sure that all connections are secure to prevent fan from falling and/or causing damage or injury.
- 9 The fan can be made to work immediately after installation - the bearings are adequately charged with grease so that, under normal conditions, further lubrication should not be necessary for the life of the fan.
- 10 To operate the reverse function on this fan, press the reverse button while the fan is running.
- 11 **CAUTION:** Do not ingest battery - Chemical burn hazard. Keep new and used batteries away from children.
- 12 The remote control supplied with a coin/button cell battery. If the coin/button cell battery is swallowed, it can cause severe internal burns in just 2 hours and can lead to death.
- 13 If the battery compartment does not close securely, stop using the product and keep it away from children.
- 14 If you think batteries might have been swallowed or placed inside any part of the body, seek immediate medical attention.

IMPORTANT SAFETY PRECAUTIONS

WARNINGS:

- Disconnect power by removing fuse or turning off circuit breaker before installing the fan and/or optional lighting.
- Support directly from building structure.
- To reduce the risk of fire, electric shock, or personal injury, mount to outlet box marked “acceptable for fan support” and use mounting screws provided with the outlet box. Most outlet boxes commonly used for the support of lighting fixtures are not acceptable for fan support and may need to be replaced. Consult a qualified electrician if in doubt.
- Do not use an incandescent light dimmer. Do not use this fan with any transformer type fan speed control device.
- To reduce the risk of personal injury, do not bend the blade arms when installing them, balancing the blades or cleaning the fan. Do not insert any objects(s) between rotating fan blades.

NOTE:

The important precautions, safeguards and instructions appearing in this manual are not meant to cover all possible conditions and situations that may occur. It must be understood that common sense, caution and carefulness are factors which cannot be built into this product. These factors must be supplied by the person(s) installing, caring for and operating the unit.

⚠ WARNING

- **INGESTION HAZARD:** This product contains a button cell or coin battery.
- **DEATH** or serious injury can occur if ingested.
- A swallowed button cell or coin battery can cause **Internal Chemical Burns** in as little as **2 hours**.
- **KEEP** new and used batteries **OUT OF REACH** of CHILDREN.
- **Seek immediate medical attention** if a battery is suspected to be swallowed or inserted inside any part of the body.

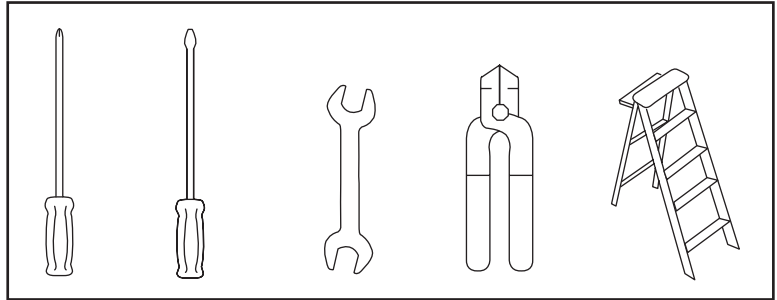


WARNING INGESTION HAZARD: This product contains a button cell or coin battery.

- Remove and immediately recycle or dispose of used batteries according to local regulations and keep away from children. Do NOT dispose of batteries in household trash or incinerate.
- Even used batteries may cause severe injury or death.
- Call a local poison control center for treatment information.
- Compatible battery type is CR2032, 3 V.
- Ensure the batteries are installed correctly with regard to polarity (+ and -).
- Do not mix old and new batteries, different brands or types of batteries, such as alkaline, carbon-zinc, or rechargeable batteries.
- Non-rechargeable batteries are not to be recharged. Exhausted batteries are to be removed from the product.
- Do not force discharge, recharge, disassemble, heat above 104° F (40° C) or incinerate. Doing so may result in injury due to venting, leakage or explosion resulting in chemical burns.
- Remove and immediately recycle or dispose of batteries from equipment not used for an extended period of time according to local regulations.
- Always completely secure the battery compartment. If the battery compartment does not close securely, stop using the product, remove the batteries, and keep them away from children.

TOOLS & MATERIALS REQUIRED

- PHILLIPS SCREWDRIVER
- FLAT SCREWDRIVER
- WRENCH OR PLIERS
- WIRE CUTTER
- STEPLADDER
- WIRING SUPPLIES AS REQUIRED BY ELECTRICAL CODE



UNPACKING YOUR FAN

UNPACK YOUR FAN AND CHECK THE CONTENTS.

- Do not discard the carton. If warranty replacement or repair is ever necessary, the fan should be returned in original packing. Remove all parts and hardware. Do not lay motor housing on its side, or the decorative housing may shift, be bent or damaged.
- Examine all parts. You should have the following:

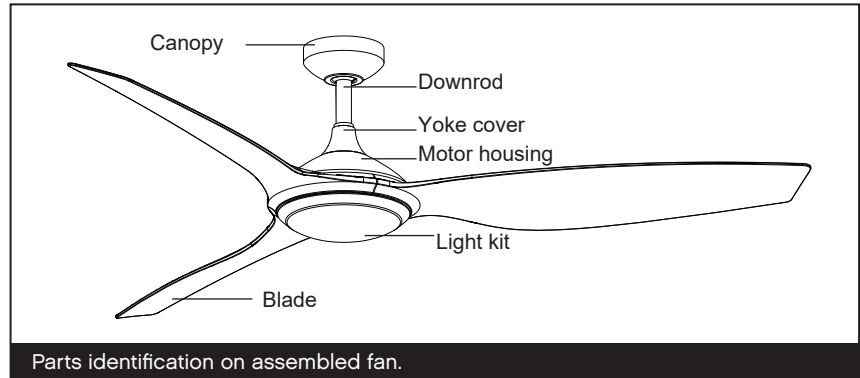
| | | | |
|---|---|--|--------------|
| | TALAN PACKAGE CONTENT | | |
| | 1 | Blade Set of 3 | BL906864Fxx |
| | 2 | Light Kit Cover(for optional use) | LKC906864Fxx |
| | 3 | Hanging Bracket | CA906864Fxx |
| | 4 | Ceiling Canopy and Trim Ring | |
| | 5 | Downrod Asm. | DR94016Fxx |
| | 6 | Yoke Cover | YC906864Fxx |
| | 7 | Fan Housing with Motor | x |
| | 8 | Light Kit assembly (24W) | LK906864Fxx |
| | 9 | PC Shade | |
| | 10 | Receiver Incl. 9 Wire Nuts | CWT906864 |
| | 11 | HIRO Wall Control w/2032 Battery, Cradle A, Wall Plate, Face Plate, 2 Mounting Screws, Cradle B (for flat wall use only) | 980014FWH-R |
| 12 | Hardware Bag | | |
| | Bracket Mounting Hardware (screws, lock washers, flat washers) | MH906864 | |
| | Blade to Motor screws w/spring washers | | |
| | Safety Cable Hardware (wood screws, spring washers, flat washers) | | |
| XX=FAN FINISH | | | |
| <p>NOTE: Design of parts shown above may look slightly different for your specific model of fan.</p> | | | |

PREPARATION

PREPARATION:

Verify you have all parts before beginning the installation. Check pulp insert closely for missing parts. Remove motor from packing. To avoid damage to finish, assemble motor on soft padded surface or use the original pulp insert in motor box.

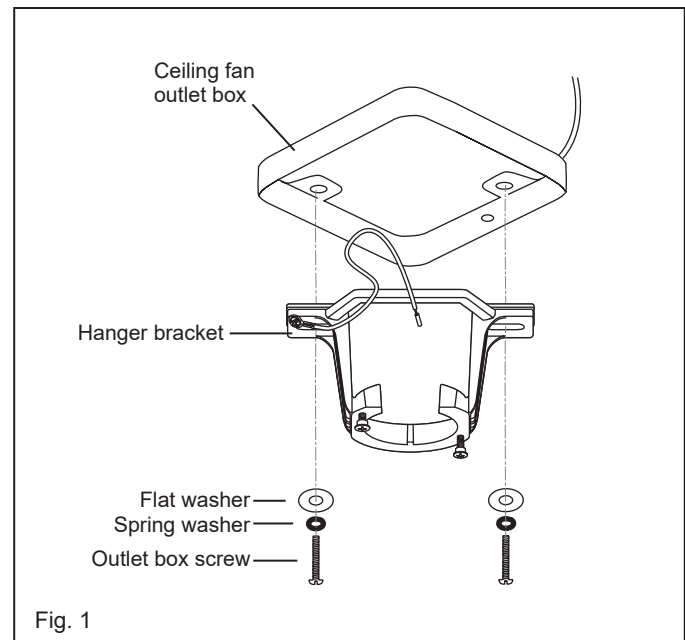
DO NOT LAY MOTOR HOUSING ON ITS SIDE AS THIS COULD RESULT IN SHIFTING OF MOTOR IN DECORATIVE ENCLOSURE.



INSTALLING THE HANGING BRACKET

CAUTION: To avoid possible electrical shock, be sure electricity is turned off at the main power box before wiring. All wiring must be in accordance with National and Local Electrical Codes and the ceiling fan must be grounded as a precaution against possible electric shock.

- 1 Locate ceiling joist where fan is to be mounted, being sure location agrees with the requirements in the minimum clearance section of this guide. Wood joists must be sound and of adequate size to support 35 pounds (See page 2, items 3 and 4).
- 2 If not already present, mount a UL listed outlet box marked "suitable for fan support" following the instructions provided with the outlet box. The outlet box must be able to support a minimum of 35 pounds.
- 3 Attach hanging bracket to outlet box using screws provided with the outlet box.



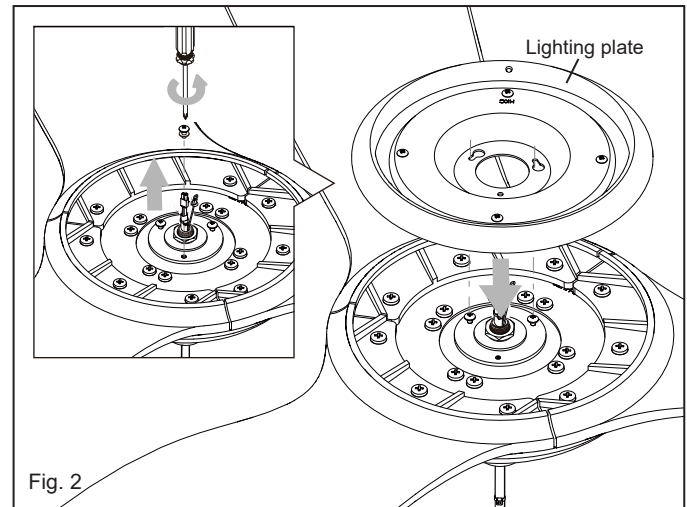
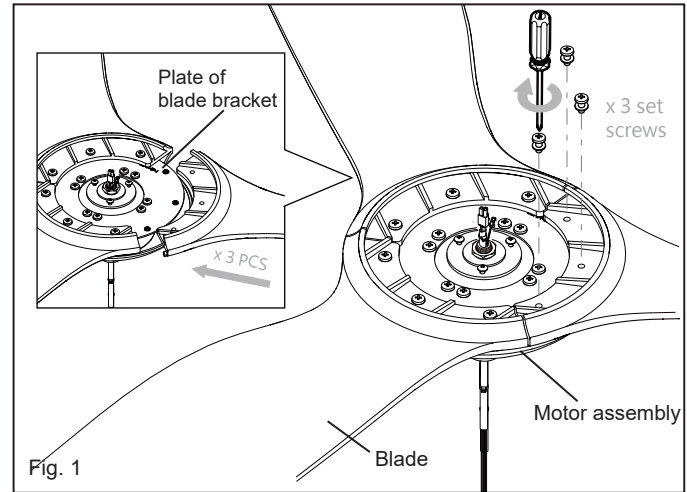
INSTALLING THE BLADES

WARNING: To reduce the risk of personal injury, do not bent the blades while installing, balancing the blades, or cleaning the fan.

- 1 Insert the blade through the slot on the housing. Align the holes on the blade and the fan motor assembly and secure with the blade attachment screws. (Fig. 1)
- 2 Loosen two of the three screws on the base plate for 2/3 and remove one of the base plate screws. Align the two key holes of the lighting plate to the two screws on the base plate. (Fig. 2)

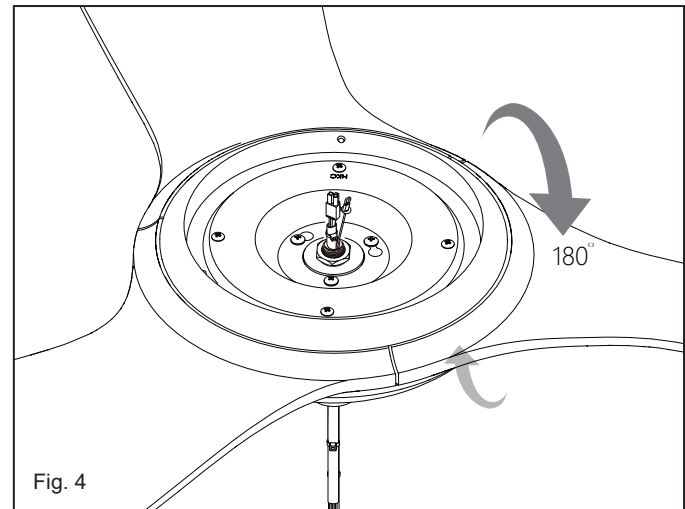
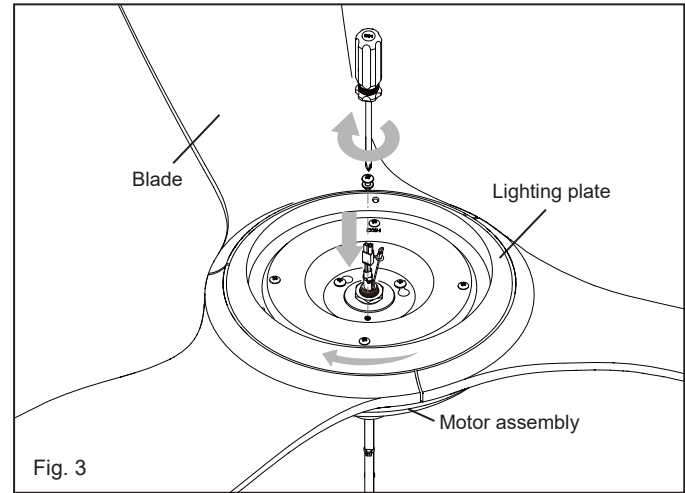
NOTE:

Cordless power screwdrivers are NOT recommended, as they usually strip the heads of the screws and usually will not fully compress the lock washers on the motor screws. Use a large flat blade screwdriver for final tightening to fully compress the washers. This will help ensure proper alignment of the blades and noise-free, wobble-free running.



3 Slide the lighting plate onto the base plate of the fan assembly clockwise until it locks in place at the narrow section of the key holes. Tighten the screw of the round hole first and then tighten the other two screws. (Fig. 3)

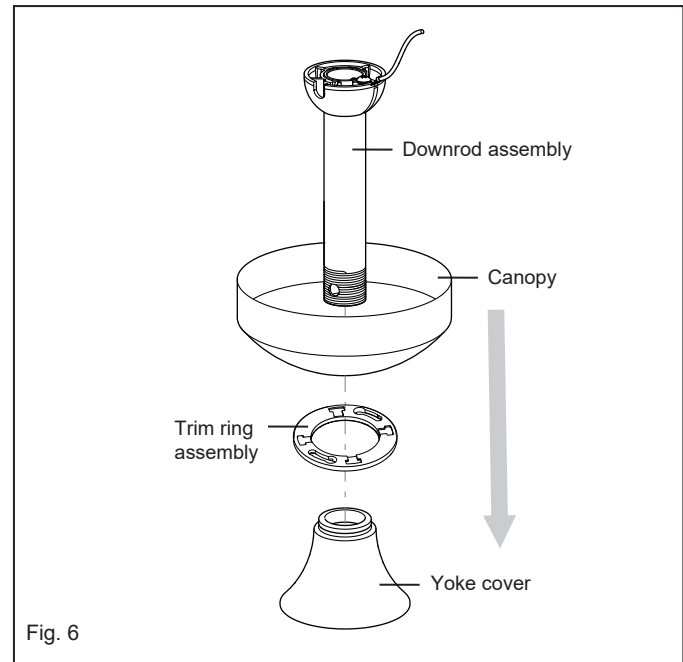
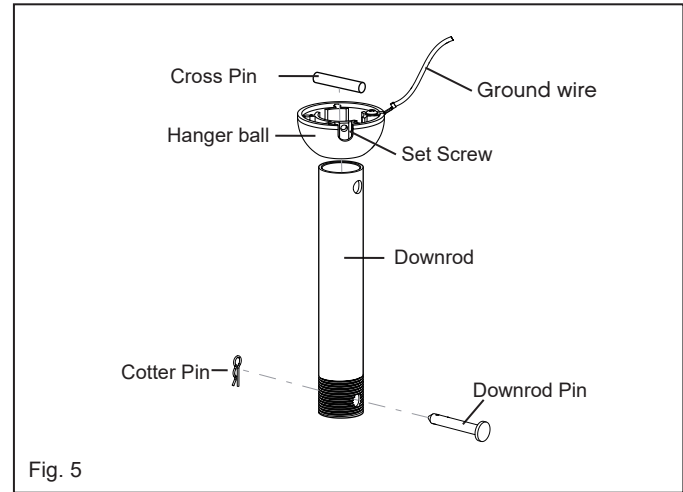
4 Rotate the fan 180 degrees, with the lighting plate facing downwards. (Fig. 4)



HANGING THE FAN

- 1 Remove ball from downrod by loosening set screw in the side of the ball. Slide ball down pin and remove cross pin; remove ball. (Fig.5)
Carefully support fan (motor) in its pulp packing with the mounting collar (where the wires come out) facing upward.
Loosen the two security set screws and remove the downrod pin and cotter pin from the coupler on top of the motor assembly. (Fig. 5)
- 2 Carefully feed the electrical lead wires and safety cable from the fan through the downrod. Thread downrod into coupler until holes align. Insert downrod pin through holes in mounting collar and downrod; clip cotter pin through small hole in end of downrod pin to hold downrod in place. (Fig. 6)

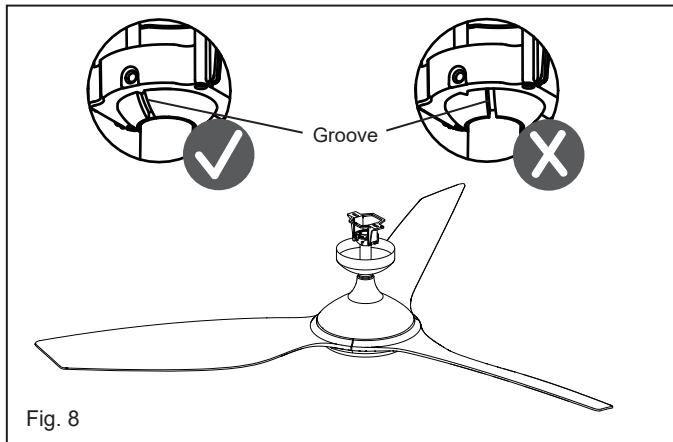
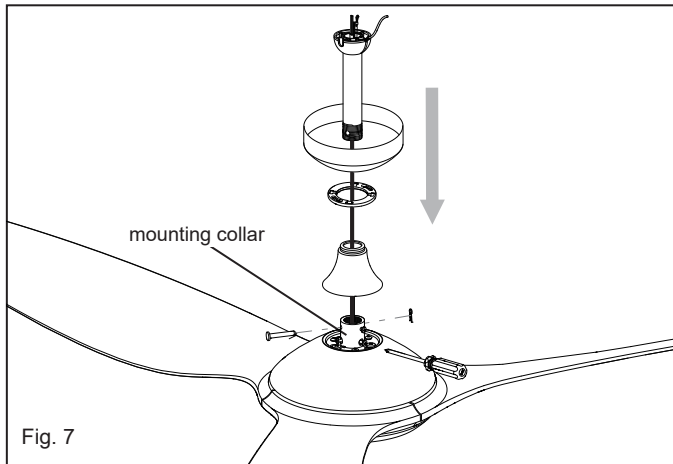
Tighten security set screws against downrod using a large Flat blade screwdriver to ensure a tight fit against downrod.



- 3 Slip the yoke cover, trim ring, and canopy onto the downrod. (Fig. 7)
- 4 Slide the hanger ball onto the downrod, insert the cross pin through the downrod and tighten. Tighten the set screw.

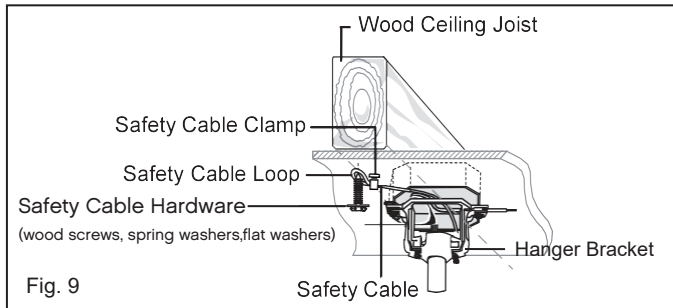
NOTE:
Fan has 6 feet of hook-up wire in case you are using a long extension downrod.

- 5 Lift ball/downrod/fan into hanger bracket opening. **NOTE: The tab opposite hanger bracket opening should fit in slot on ball.(Fig. 8)**



INSTALLATION OF SAFETY CABLE SUPPORT

Attach the wood screw, the spring washer and the flat washer to the ceiling joist as shown (do not fully tighten). Loop the safety cable around the wood screw that was just attached to ceiling joist. Tighten the wood screw to ceiling joist. Cut off excess cable. (Fig. 9)



ELECTRICAL CONNECTIONS

REMEMBER -Turn off the power! NOTE- Control must be installed within 30 feet of fan.

WARNINGS: Check to see that all connections are tight, including ground, and that no bare wire is visible at the wire nuts, except for the ground wire.

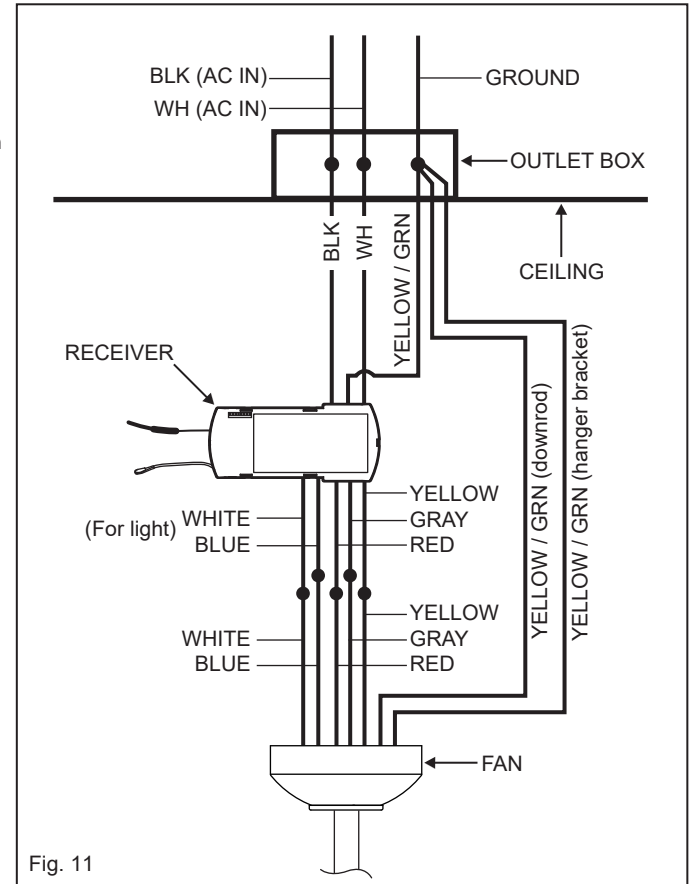
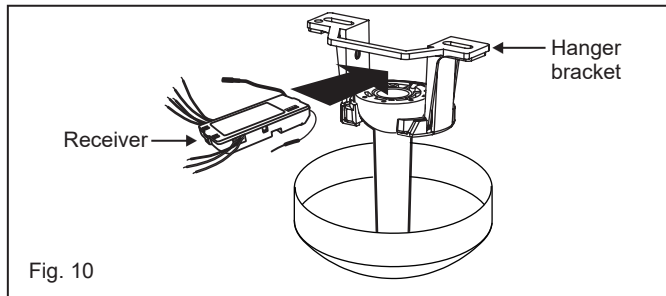
CAUTION: To reduce the risk of electric shock, this fan must be installed with an isolating wall control/switch. Turning off the isolating wall switch can override any smart enabled or remote operation commands.

1. Insert the receiver into the ceiling mounting bracket with the flat side of the receiver facing the ceiling. (Fig. 10) For best performance, make sure the Black Antenna and WIFI Antenna, on the end of the receiver, remains extended and not tangled with any of the electrical wires.
2. Make wire connections from the fan to the receiver unit. For this step use the bundle of 5 wires on the receiver. (Fig. 11)

Connect the RED fan wire to the RED receiver wire.
 Connect the GRAY fan wire to the GRAY receiver wire.
 Connect the YELLOW wire to the YELLOW receiver wire.
 Connect the WHITE light kit lead wire from the fan to WHITE receiver lead wire marked "For Light".
 Connect the BLUE light kit lead wire from the fan to BLUE receiver lead wire marked "For Light".
 Wire colors out of the fan are blue/white for the light kit. Light kit leads from the controller/receiver are blue/white.

3. Connect the wiring from the ceiling to the receiver unit. (Use the 2 wire bundle on the receiver.) Secure with supplied wire nuts.

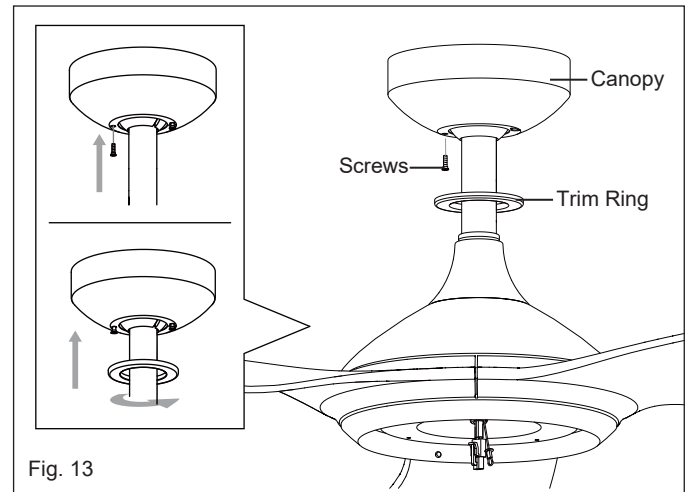
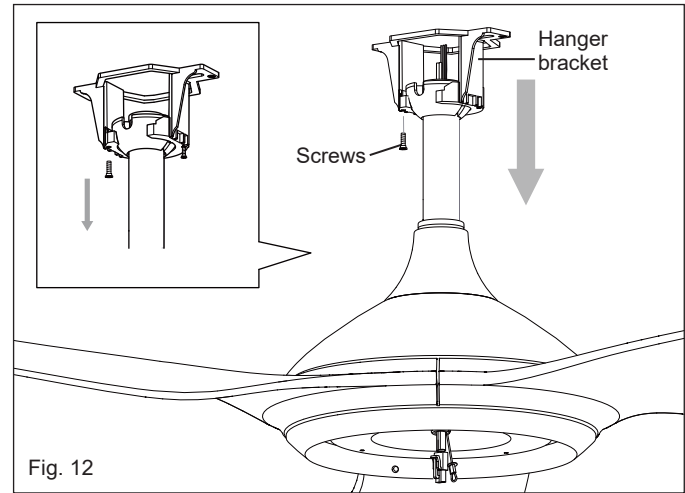
Connect the BLACK building supply wire to the BLACK receiver wire.
 Connect the WHITE receiver neutral wire to the WHITE building neutral wire.
 Connect the COPPER building ground wire to the 3 YELLOW/GREEN ground wires from the fan and receiver.



CEILING CANOPY INSTALLATION

- 1 Tuck connections neatly into the ceiling outlet box.
- 2 Remove one screw on the bracket and loosen the other screw on the bracket. (Fig. 12)
- 3 Slide the canopy up to the hanger bracket and place the key hole on screw on the mounting bracket, turn canopy until it locks in place at the narrow section of the key holes. Align the circular hole on the canopy with the remaining hole on the mounting bracket, secure by tightening the two set screws. Align the inner larger end of the key hole of the trim ring to the canopy screw and slide counterclockwise to tighten the trim ring. (Fig. 13)

NOTE: Adjust the canopy screws as necessary until the canopy and trim ring are snug.



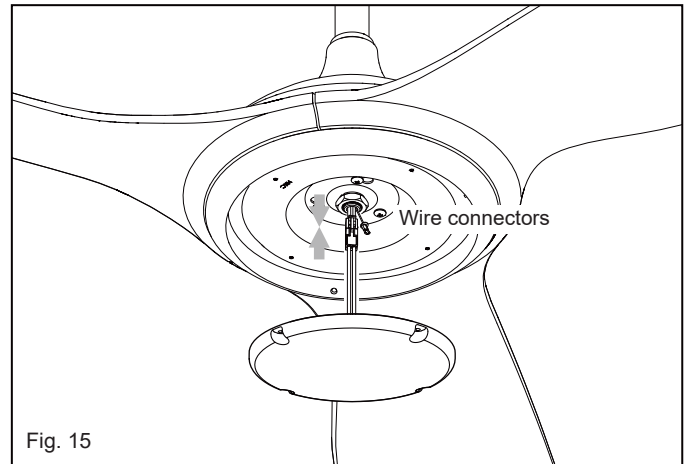
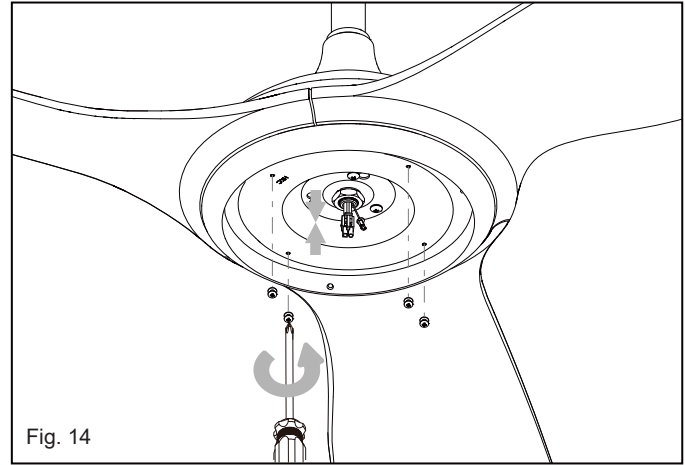
WARNING:

Make sure the hook on the hanging bracket properly sits in the groove in the hanger ball before attaching the canopy to the bracket by turning the housing until it drops into place.

INSTALLING THE LED ASSEMBLY AND PC SHADE

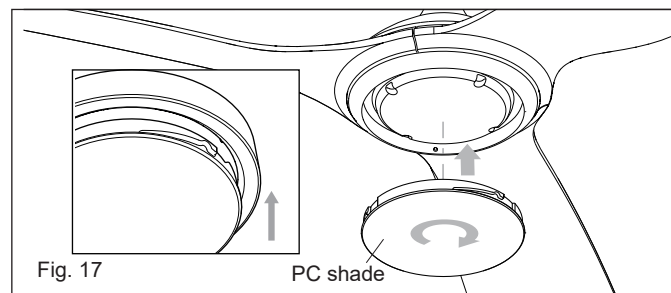
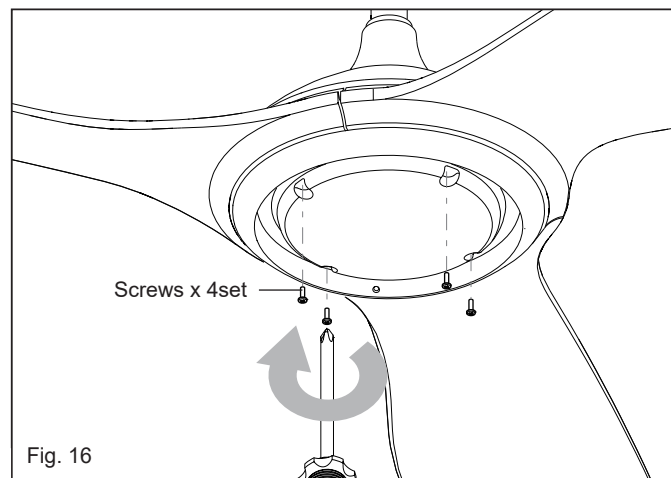
NOTE: Be sure the power is off before installing.

- 1 Remove four screws that pre-installed on the lightingplate. (Fig. 14)
- 2 While holding the LED assembly under your fan, make the polarized plug connections: (Fig. 15)
 - White to white
 - Blue to blue



- 3 Align the screw holes on the LED assembly to the screw holes on the lighting plate. Tighten the four screws. (Fig. 16)
- 4 Raise the PC shade against the LED assembly and turn counterclockwise until snug. (Fig. 17)
DO NOT OVERTIGHTEN
- 5 Restore power and your LED assembly is ready for operation.

NOTE: The decorative cover included with your fan is an option to replace the LED assembly for the light in the event that you prefer not to use the light feature of your fan. The decorative cover is not necessary for the light operation. It can be saved for later use if desired.



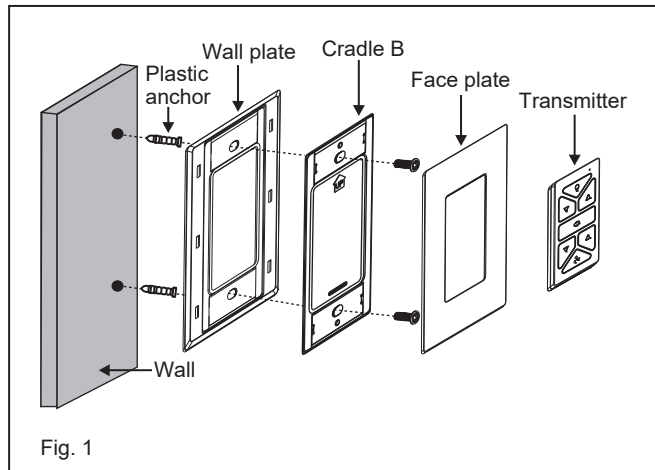
INSTALLING THE WALL CONTROL

REMEMBER to turn off the power before you begin.

NOTE - Secures to any surface or application: flat wall, single gang box.

Option 1. Flat Surface Installation

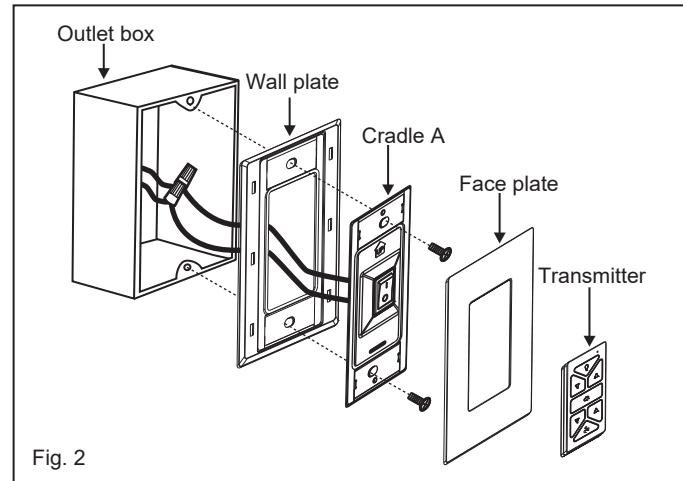
- 1 Select a desired location. Use the wall plate to mark the location of the mounting holes. Plastic wall anchors or mounting screws are needed for this application. (Fig. 1)
- 2 Seat the cradle B into the wall plate. Secure the wall plate to the wall using the provided hardware.
- 3 Snap the face plate cover onto the wall bracket.
- 4 Remote transmitter will be held in place with built in magnets.



 **HIRO HIRO Control System**

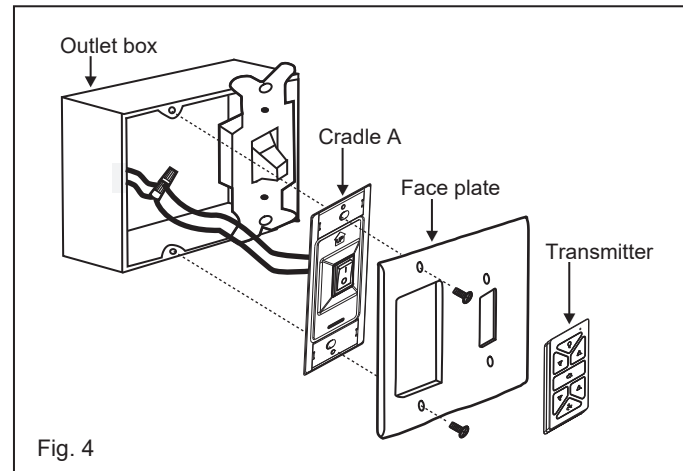
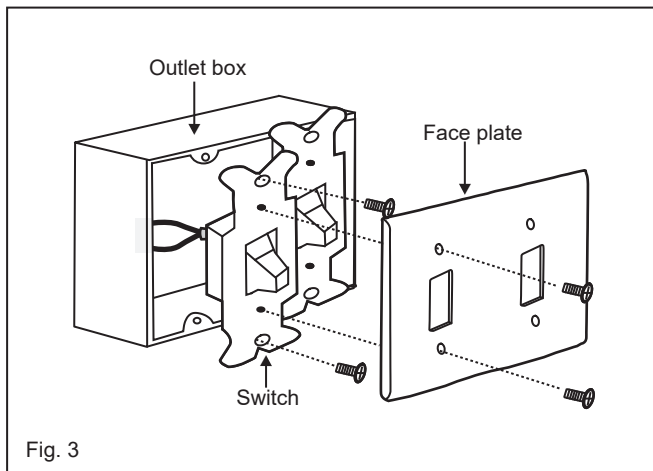
Option 2. For single gang box

- 1 Remove the existing wall plate and the old switch from the wall outlet box.
- 2 Seat the cradle A into the wall plate. (Fig. 2)
- 3 Connect the black lead wires from the switch in the cradle A to the black wires in the switch box. Hot input wire to one of the cradle A switch leads. Power lead to the fan is connected to the remaining switch lead.
- 4 Connect the wall plate/cradle A assembly to the wall outlet box using the supplied hardware.
- 5 Snap the face plate cover onto the wall bracket.
- 6 Remote transmitter will be held in place with built in magnets.



Option 3. Multi Gang Wall Switch Box Installation

- 1 Remove the existing wall plate and old switch from the wall outlet box. (Fig. 3)
- 2 Connect the black lead wires from the switch in the cradle A to the black wires in the switch box. Hot input wire to one of the cradle switch leads. Power lead to the fan is connected to the remaining switch lead. (Fig. 4)
- 3 Attach the cradle A to the wall switch box using the supplied hardware.
- 4 Attach the multi-gang faceplate (not provided) to the switch set in the wall outlet box. Cradle A of Hinkley switch will fit in any standard decora face plate.
- 5 Remote transmitter will be held in place with built in magnets.



 **HIRO HIRO Control System**

OPERATION






Your DC brushless motor is equipped with an automatically learned type remote control. There is no frequency switches on the receiver or transmitter. The fan can start to use once the pairing process is done.

Remove the panel from the transmitter and then install one 2032 battery (included). You need to use a screwdriver to open or close the battery cover. To prevent damage to transmitter, remove the battery if not use for long periods of time (Fig. 1)

WARNING: Chemical Burn Hazard. Keep batteries away from children.

This product contains a lithium button/coin cell battery. If a new or used lithium button /coin cell battery is swallowed or enters the body, it can cause severe internal burns and can lead to death in as little as 2 hours. Always completely secure the battery compartment. If the battery compartment does not close securely, stop using the product, remove the batteries, and keep it away from children. IF you think batteries might have been swallowed or placed inside any part of the body, seek immediate medical attention.


The batteries shall be disposed of properly, including keeping them away from children; Even used cells may cause injury.

- 1  button: Press and release this button to turn the light on / off.
- 2  button: Press these buttons to dim or brighten the lights to the desired level and release.
- 3  button: Press this button to set fan wind direction up or down.
- 4  button: Press these buttons to adjust fan speeds up / down between speeds 1 and 6.
- 5  button: Press and release this button to turn the fan on / off.
- 6 Signal light (Fig. 2)

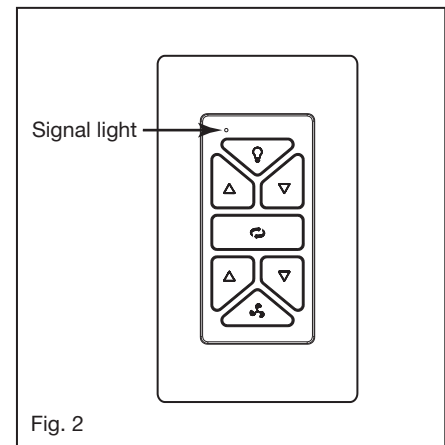
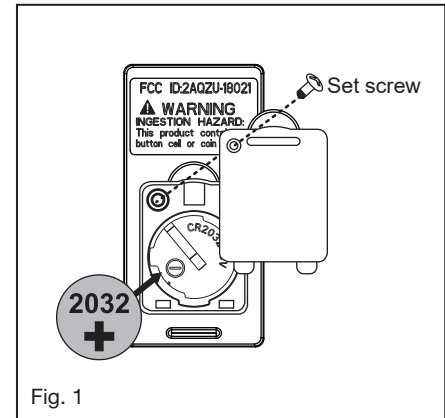
Pairing Process

NOTE: If installing/pairing more than one fan in an area, the power must be disconnected from all fans except the one fan being paired.

NOTE: Fan must be fully installed with the blades prior to pairing the controls.

With the fan's power off, restore power to the fan. Press and hold "

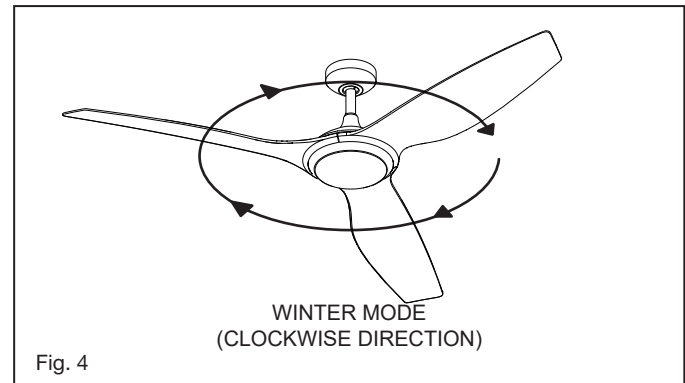
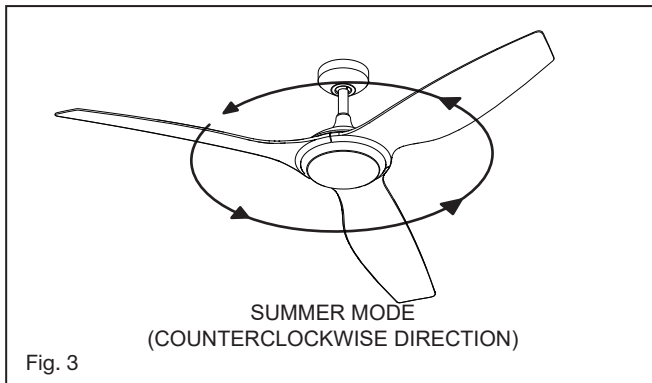
NOTE: A single fan can be controlled with as many as 3 wall controls in one room. Every control will need to repeat the pairing process based on instructions above and all controls must be within 30 feet of the fan.



HIRO HIRO Control System

Summer Mode and Winter Mode Operation

- 7 **IMPORTANT:** To prevent damage or cause injury, be sure that fan is switched to off and blades have stopped moving completely before attempting to change direction of rotation.
- 8 Summer Mode (forward):
A DOWNWARD airflow creates a cooling effect as shown in Figure 3. This allows you to set your air conditioner on a warmer setting without affecting your comfort.
- 9 Winter Mode (Reverse):
An UPWARD airflow moves warmer air off the ceiling area as shown in Figure 4. This allows you to set your heating unit on a cooler setting without affecting your comfort.



CARE AND CLEANING

Periodically it may be necessary to re-tighten blade to blade arm screws or blade arm to motor screws to prevent clicking or humming sound during operation. This is especially true in climates with broad temperature and humidity ranges.

When dusting the blades, you must support the blade to prevent bending - no pressure should be applied to the blades. If you experience any flaws in the operation of your fan, please check the following points.

TROUBLESHOOTING

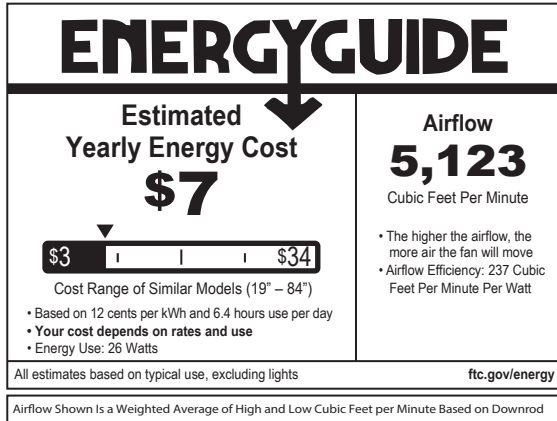
CAUTION:

Switch off power supply before carrying out any of these checks.

| PROBLEM | SOLUTION |
|--------------------|--|
| FAN WILL NOT START | <ol style="list-style-type: none">1. Check to assure that a new batteries is installed in the remote or wall control. Check circuit fuses or breakers.2. Check wall control LED indicator light. If LED is not illuminated when pushing a button, it is not transmitting a signal. Please check battery, power to wall control/circuit breaker and all electrical connections.3. Assure that there are no more than 12 fans operating on a circuit through an on/off wall switch or a breaker (not through a wall control).4. Assure that the fan is within range of the WiFi (150 ft.) or wall control (30 ft.). |
| FAN SOUNDS NOISY | <ol style="list-style-type: none">1. Allow a 24-hour "breaking-in" period. Most noise associated with a new fan will disappear during this time.2. Make sure all motor housing screws are securely fastened.3. Make sure the screws that attach the fan blade to the fan are tight.4. Make sure your ceiling box is secure and rubber isolator pads are used between the mounting bracket and outlet box. |
| FAN WOBBLER | <ol style="list-style-type: none">1. Check that all blade to motor and blade arm screws are secure.2. If the blade wobble is still noticeable, interchanging two adjacent (side by side) blades can redistribute the weight and possibly result in smoother operation.3. Make sure the mounting plate is securely fastened to the ceiling outlet box.4. Make sure ceiling box is secure. |

ENERGY GUIDE

AVERAGE PERFORMANCE AND ENERGY INFORMATION



SPECIFICATIONS

| PERFORMANCE SPECIFICATIONS | STANDARD | |
|----------------------------|------------|-----------|
| | HIGH SPEED | LOW SPEED |
| Airflow (CFM) | 7311 | 2644 |
| Energy Use (Watts) | 39.4 | 3.9 |
| Airflow Efficiency (CFM/W) | 186 | 678 |
| Energy Costs (Yearly) | \$11 | \$1 |
| Amps | 0.49 | 0.08 |
| RPMs | 140 | 51 |

DOWNLOADING THE HINKLEY APP

HINKLEY APP INSTRUCTIONS:

In addition to the included wall control, you can control your Hinkley fan through the Hinkley app.

- To use the **Hinkley app**, download it for free from the App Store or Google Play.
- Open the **Hinkley app** where you will be prompted to create an account.
- Enter all necessary information to create an account.
- After account is created you will receive a verification code email to finish setting up the **Hinkley app** (Check spam folder if email is not received.)
- Confirm Bluetooth is enabled to allow the fan and **Hinkley app** to connect to each other.
- Click add a device on the home screen and select desired fan.
- The **Hinkley app** will then have you enter in WiFi name and password.
- Click done on the **Hinkley app** to complete connecting the fan.
- The **Hinkley app** will have options on the main screen for fan speeds, dimming and setting timers.
- Scan the QR code below for more information on the **Hinkley app** operation.



SCAN FOR ADDITIONAL DETAILS

THANK YOU

FOR PURCHASING YOUR NEW HINKLEY FAN

WE STAND BY EVERY FIXTURE WE MAKE. THIS FAN SHOULD PROVIDE YOU WITH MANY YEARS OF ENJOYMENT. IN THE UNLIKELY EVENT YOU HAVE AN ISSUE, WE ARE HERE TO HELP RESOLVE.

PLEASE CALL 1(800)446-5539, VISIT [HINKLEY.COM/FAN](https://www.hinkley.com/fan) OR EMAIL [CUSTOMERCARE@HINKLEY.COM](mailto:customercare@hinkley.com) BEFORE RETURNING TO RETAILER.



**SCAN QR CODE FOR
ADDITIONAL SUPPORT AND
DETAILED SETUP GUIDES**

HINKLEY

HINKLEY IS PROUD TO PROVIDE YOU WITH CEILING FAN PRODUCTS THAT ENHANCE YOUR SPACE WITH COMFORT, PURPOSE AND STYLE. AS A FAMILY COMPANY, WE ARE COMMITTED TO DESIGN, PERFORMANCE AND QUALITY, AND WHAT'S IMPORTANT TO YOU IS PARAMOUNT TO US.

FOR A COMPLETE ASSORTMENT OF OUR PRODUCTS AND SOURCE BOOKS, VISIT [HINKLEY.COM](https://www.hinkley.com).

HINKLEY

GLOBAL HEADQUARTERS

33000 Pin Oak Parkway | Avon Lake, Ohio 44012

T (440) 653 5500 | F (440) 653 5555 | hinkley.com

HINKLEY

64" TALAN™

VENTILADOR LED
INTERIOR / EXTERIOR



DAMP



DC MOTOR



LED



Intertek



WIFI



**LISTO
USAR.**

**MANDO
PREPARADO.**

MANUAL DE INSTRUCCIONES DEL
VENTILADOR DE TECHO



HINKLEY

EMPAREJAR CON LA APLICACIÓN HINKLEY
DESCARGAR EN APP STORE o GOOGLE PLAY

QUEREMOS QUE AMES A TU NUEVO VENTILADOR

ASÍ QUE ESTAMOS AQUÍ SI TIENE UNA PREGUNTA,
NECESITA AYUDA O QUIERE HABLAR SOBRE NUESTROS
PRODUCTOS. ENVÍE SUGERENCIAS NUESTRO CAMINO
TAMBIÉN: SIEMPRE ESTAMOS BUSCANDO HACER QUE
SU EXPERIENCIA CON HINKLEY SEA POSITIVA.

> **SERVICE@HINKLEY.COM**

> **800.HINKLEY**

> **VAMOS A ESE ESTILO**

HINKLEY@HINKLEY #HINKLEYSTYLE

Este manual contiene instrucciones completas para la
instalación y operación de este ventilador. Ha sido
diseñado para hacer que el proceso de instalación sea
lo más fácil posible. Si no está familiarizado o no se
siente cómodo con el cableado, comuníquese con un
electricista calificado. Si necesita asistencia adicional o
tiene alguna pregunta, comuníquese con nosotros.

Para obtener información sobre la garantía, visite hinkley.com.

TABLA DE CONTENIDO

| | | | |
|----|---|----|---|
| 02 | INSTRUCCIONES GENERALES DE INSTALACIÓN Y FUNCIONAMIENTO | 13 | INSTALACIÓN DEL CONJUNTO DE LED Y LA PANTALLA DE PC |
| 03 | PRECAUCIONES DE SEGURIDAD IMPORTANTES | 15 | INSTALACIÓN DEL CONTROL DE PARED |
| 03 | HERRAMIENTAS Y MATERIALES REQUERIDOS | 17 | OPERACIÓN |
| 05 | DESEMBALANDO TU VENTILADOR | 19 | CUIDADO Y LIMPIEZA |
| 06 | PREPARACIÓN | 19 | SOLUCIÓN DE PROBLEMAS |
| 06 | INSTALACIÓN DEL SOPORTE PARA COLGAR | 20 | GUÍA ENERGÉTICA |
| 07 | INSTALACIÓN DE LAS CUCHILLAS | 20 | ESPECIFICACIONES |
| 09 | COLGAR EL VENTILADOR | 21 | APLICACIÓN HINKLEY / WIFI |
| 11 | CONEXIONES ELÉCTRICAS | | |
| 12 | INSTALACIÓN DE MARCO DE TECHO | | |

**LISTO
USAR.**

**MANDO
PREPARADO**

NOTA: Si es necesario EMPAREJAR, consulte las instrucciones de emparejamiento de controles en la sección de operación de este Manual de instrucciones.

ADVERTENCIA:

Lea y siga estas instrucciones atentamente y tenga en cuenta todas las advertencias que se muestran en todas partes.

INSTRUCCIONES GENERALES DE INSTALACIÓN Y OPERACIÓN

- 1 Para garantizar el éxito de la instalación, asegúrese de leer las instrucciones y revisar los diagramas detenidamente antes de comenzar.
- 2 Para evitar posibles descargas eléctricas, asegúrese de que la electricidad esté apagada en la caja de alimentación principal antes de realizar el cableado. Todas las conexiones eléctricas deben realizarse de acuerdo con los códigos y ordenanzas locales y/o el Código Eléctrico Nacional. Si no está familiarizado con los métodos de instalación de cableado y productos eléctricos, consiga los servicios de un electricista calificado y autorizado, así como de alguien que pueda verificar la resistencia de los miembros de soporte del techo y realizar las instalaciones y conexiones adecuadas.
- 3 **ADVERTENCIA:** Para reducir el riesgo de incendio, descarga eléctrica u otras lesiones personales, monte el ventilador únicamente en una caja eléctrica o sistema de soporte marcado como aceptable para soporte de ventilador de 35 libras (15,9 kg) o menos y use los tornillos de montaje proporcionados con la caja eléctrica. La mayoría de las cajas de salida comúnmente utilizadas para soportar accesorios de iluminación no son aceptables para soportar ventiladores y es posible que sea necesario reemplazarlas. Consulte a un electricista calificado si tiene dudas.
- 4 Asegúrese de que el sitio de instalación no permita que las aspas giratorias del ventilador entren en contacto con ningún objeto. Las hojas deben estar al menos a 7 pies del piso.
- 5 La carcasa del motor del ventilador debe mantenerse en la caja hasta que esté lista para instalarse para proteger su acabado. Si está instalando más de un ventilador de techo, asegúrese de no mezclar juegos de aspas, ya que cada aspa es parte de un juego ponderado..
- 6 Después de realizar las conexiones eléctricas, los conductores empalmados deben girarse hacia arriba y empujarse con cuidado hacia la caja eléctrica. Los cables deben estar separados con el conductor común y el conductor de tierra en un lado de la caja eléctrica, y el Cables "CALIENTES" en el otro lado.
- 7 Los diagramas eléctricos son solo para referencia. Los kits de iluminación que no vienen incluidos con el ventilador deben estar listados por UL y deben instalarse según las instrucciones de instalación del kit de iluminación.
- 8 Una vez que el ventilador esté completamente instalado, verifique que todas las conexiones estén seguras para evitar que el ventilador se caiga y/o cause daños o lesiones.
- 9 Se puede hacer que el ventilador funcione inmediatamente después de la instalación; los cojinetes se cargan adecuadamente con grasa de modo que, en condiciones normales, no será necesaria una lubricación adicional durante la vida útil del ventilador.
- 10 Para operar la función de marcha atrás en este ventilador, presione el botón de marcha atrás mientras el ventilador está funcionando.
- 11 **PRECAUCIÓN:** No ingiera la batería: peligro de quemaduras químicas. Mantenga las baterías nuevas y usadas fuera del alcance de los niños.
- 12 El control remoto se suministra con una batería de tipo botón/moneda. Si se traga la pila de botón/moneda, puede provocar quemaduras internas graves en tan solo 2 horas y provocar la muerte.
- 13 Si el compartimento de la batería no cierra de forma segura, deje de usar el producto y manténgalo alejado de los niños.
- 14 Si cree que las pilas pueden haber sido ingeridas o colocadas dentro de cualquier parte del cuerpo, busque atención médica inmediata.

PRECAUCIONES IMPORTANTES DE SEGURIDAD

ADVERTENCIAS:

- Desconecte la energía quitando el fusible o apagando el interruptor de circuito antes de instalar el ventilador y / o la iluminación opcional.
- Apoyo directo desde la estructura del edificio.
- Para reducir el riesgo de incendio, descarga eléctrica o lesiones personales, monte en la caja de salida marcada como "aceptable para soporte del ventilador" y use los tornillos de montaje provistos con la caja de salida. La mayoría de las cajas de salida comúnmente utilizadas para el soporte de accesorios de iluminación no son aceptables para el soporte del ventilador y pueden necesitar ser reemplazadas. Consulte a un electricista calificado si tiene dudas.
- No utilice un atenuador de luz incandescente. No utilice este ventilador con ningún dispositivo de control de velocidad del ventilador de tipo transformador. To reduce the risk of personal injury, do not bend the blade arms when installing them, balancing the blades or cleaning the fan.
- No inserte ningún objeto (s) entre las aspas giratorias del ventilador.

NOTA:

Las precauciones, salvaguardas e instrucciones importantes que aparecen en este manual no están destinadas a cubrir todas las condiciones y situaciones posibles que puedan ocurrir. Debe entenderse que el sentido común, la precaución y el cuidado son factores que no se pueden incorporar a este producto. Estos factores deben ser proporcionados por la (s) persona (s) que instalan, cuidan y operan la unidad.

⚠ ADVERTENCIA

- PELIGRO DE INGESTIÓN: Este producto contiene una pila de botón o de botón.
- Puede ocurrir la MUERTE o lesiones graves si se ingiere.
- Una pila de botón o una pila de botón ingerida puede provocar quemaduras químicas internas en tan solo 2 horas.
- MANTENGA las baterías nuevas y usadas FUERA DEL ALCANCE de los NIÑOS.
- Busque atención médica inmediata si se sospecha que una batería se ha tragado o insertado dentro de cualquier parte del cuerpo.

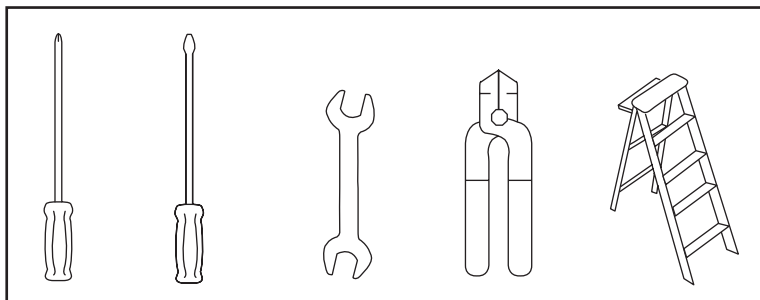


ADVERTENCIA PELIGRO DE INGESTIÓN: Este producto contiene una pila de botón o de botón.

- Retire y recicle o deseche inmediatamente las baterías usadas de acuerdo con las regulaciones locales y manténgalas fuera del alcance de los niños. NO deseche las baterías en la basura doméstica ni las incinere.
- Incluso las baterías usadas pueden causar lesiones graves o la muerte.
- Llame a un centro local de control de intoxicaciones para obtener información sobre el tratamiento.
- El tipo de batería compatible es CR2032, 3 V.
- Asegúrese de que las baterías estén instaladas correctamente con respecto a la polaridad (+ y -).
- No mezcle pilas viejas y nuevas, de diferentes marcas o tipos de pilas, como las alcalinas, las de carbón-zinc o recargables.
- Las baterías no recargables no se deben recargar. Las baterías agotadas deben retirarse del producto.
- No fuerce la descarga, recargue, desarme, caliente por encima de 104° F (40° C) ni incinere. Hacerlo puede provocar lesiones debido a la ventilación, fugas o explosiones que provoquen quemaduras químicas.
- Retire y recicle o deseche inmediatamente las baterías de los equipos que no se utilicen durante un período prolongado de acuerdo con las regulaciones locales.
- Siempre asegure completamente el compartimiento de la batería. Si el compartimiento de las baterías no cierra de forma segura, deje de usar el producto, retire las baterías y manténgalas fuera del alcance de los niños.

HERRAMIENTAS Y MATERIALES REQUERIDOS

- DESTORNILLADOR PHILLIPS
- DESTORNILLADOR PLANO
- LLAVE O ALICATES
- CORTADOR DE CABLES
- ESCALERA DE TIJERA
- SUMINISTROS DE CABLEADO
SEGÚN LO REQUIERE EL CÓDIGO
ELÉCTRICO



DESEMBALAJE DE SU VENTILADOR

DESEMPAQUE SU VENTILADOR Y COMPRUEBE EL CONTENIDO.

- No deseche el cartón. Si alguna vez es necesario reemplazar o reparar la garantía, el ventilador debe devolverse en el embalaje original. Retire todas las piezas y herrajes. No coloque la carcasa del motor de costado, ya que la carcasa decorativa podría moverse, doblarse o dañarse.
- Examine todas las piezas. Deberías tener lo siguiente:

| | | | |
|---------------------------|--|--|--------------|
| | CONTENIDO DEL PAQUETE TALAN | | |
| | 1 | Juego de cuchillas de 3 | BL906864Fxx |
| | 2 | Cubierta del kit de luces (para uso opcional) | LKC906864Fxx |
| | 3 | Soporte para colgar | CA906864Fxx |
| | 4 | Marquesina de techo y anillo embellecedor | |
| | 5 | Conjunto de varilla descendente. | DR94016Fxx |
| | 6 | Cubierta del yugo | YC906864Fxx |
| | 7 | Carcasa del ventilador con motor | x |
| | 8 | Conjunto de kit de luces (24W) | LK906864Fxx |
| | 9 | Pantalla de PC | |
| | 10 | Receptor incluido. 9 tuercas para cables | CWT906864 |
| | 11 | Control de pared con batería 2032, soporte A, placa de pared, placa frontal, 2 tornillos de montaje, soporte B (solo para uso en paredes planas) | 980014FWH-R |
| 12 | Bolsa de hardware | | |
| | Hardware de montaje del soporte (tornillos, arandelas de presión, arandelas planas) | MH906864 | |
| | Tornillos de la hoja al motor con arandelas de resorte | | |
| | Herrajes para cables de seguridad (tornillos para madera, arandelas elásticas, arandelas planas) | | |
| XX=ACABADO DEL VENTILADOR | | | |

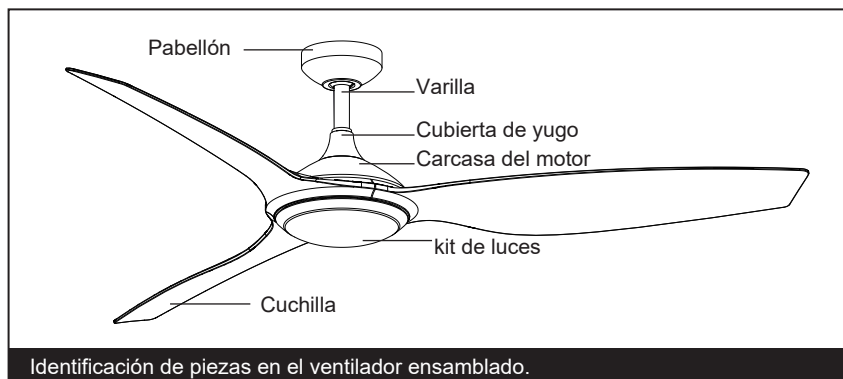
NOTA: El diseño de las piezas que se muestran arriba puede parecer ligeramente diferente para su modelo específico de ventilador.

PREPARACIÓN

PREPARACIÓN:

Verifique que tenga todas las piezas antes de comenzar la instalación. Revise cuidadosamente el inserto de pulpa para detectar piezas faltantes. Retire el motor del embalaje. Para evitar daños al acabado, monte el motor sobre una superficie suave y acolchada o utilice el inserto de pulpa original en la caja del motor.

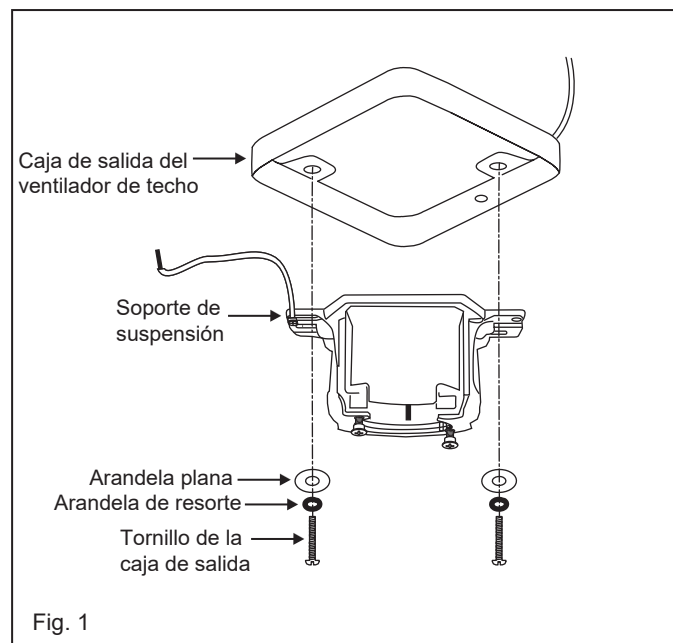
NO COLOQUE LA CARCASA DEL MOTOR DE LADO YA QUE ESTO PODRÍA RESULTAR EN EL DESPLAZAMIENTO DEL MOTOR EN EL CARCASA DECORATIVA.



INSTALACIÓN DEL SOPORTE COLGANTE

PRECAUCIÓN: Para evitar posibles descargas eléctricas, asegúrese de que la electricidad esté apagada en la caja de alimentación principal antes de realizar el cableado. Todo el cableado debe estar de acuerdo con los Códigos Eléctricos Nacionales y Locales y el ventilador de techo debe estar conectado a tierra como precaución contra posibles descargas eléctricas.

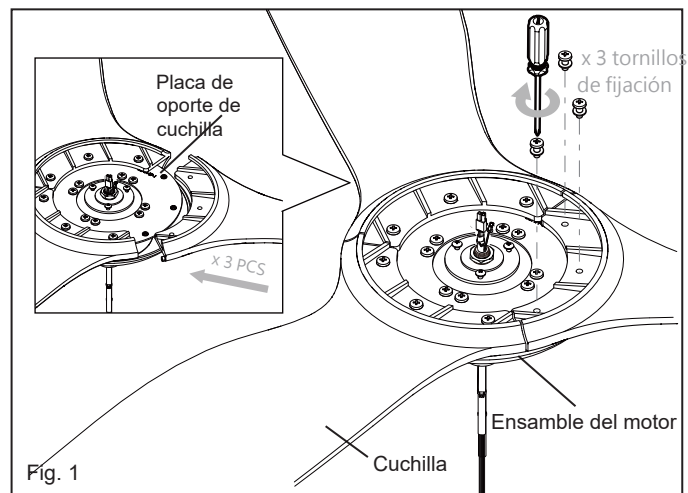
- 1 Ubique la viga del techo donde se montará el ventilador, asegurándose de que la ubicación cumpla con los requisitos de la sección de espacio libre mínimo de esta guía. Las vigas de madera deben ser sólidas y del tamaño adecuado para soportar 35 libras (consulte la página 2, artículos 3 y 4).
- 2 Si aún no está presente, monte una caja de salida listada por UL marcada como "adecuada para soporte de ventilador" siguiendo las instrucciones provistas con la caja de salida. La caja de salida debe poder soportar un mínimo de 35 libras.
- 3 Fije el soporte para colgar a la caja de salida con los tornillos provistos con la caja de salida.



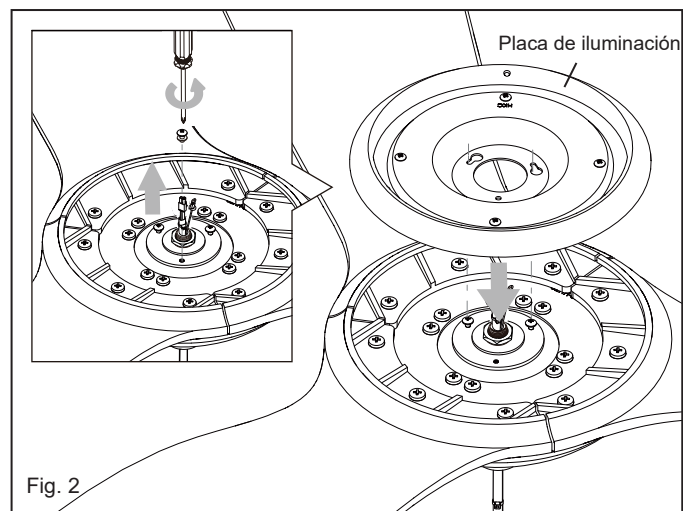
INSTALACIÓN DE LAS CUCHILLAS

ADVERTENCIA: Para reducir el riesgo de lesiones personales, no doble las aspas mientras instala, equilibra las aspas o limpia el ventilador.

- 1 Inserte la hoja a través de la ranura de la carcasa. Alinee los orificios de las aspas y el conjunto del motor del ventilador y asegúrelos con los tornillos de fijación de las aspas. (Figura 1)
- 2 Afloje dos de los tres tornillos de la placa base 2/3 y retire uno de los tornillos de la placa base. Alinee los dos orificios de la placa de iluminación con los dos tornillos de la placa base. (Figura 2)



NOTA:
NO se recomiendan los destornilladores eléctricos inalámbricos, ya que generalmente pelan las cabezas de los tornillos y generalmente no comprimen completamente las arandelas de seguridad de los tornillos del motor. Utilice un destornillador grande de punta plana para realizar el ajuste final y comprimir completamente las arandelas. Esto ayudará a garantizar la alineación adecuada de las cuchillas y un funcionamiento sin ruidos y sin oscilaciones.

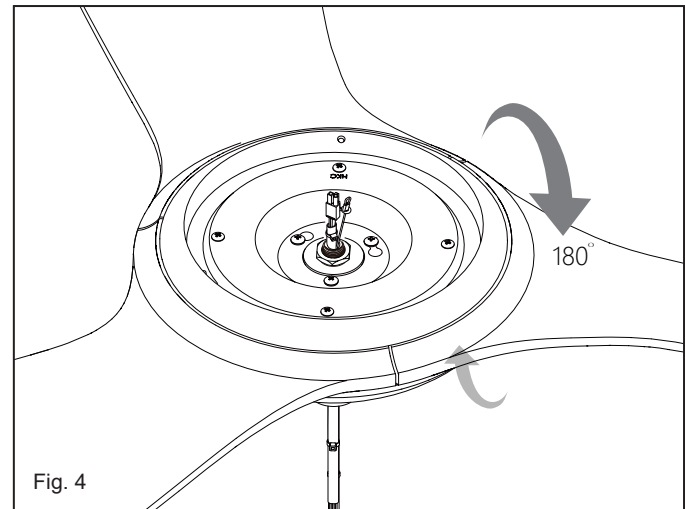
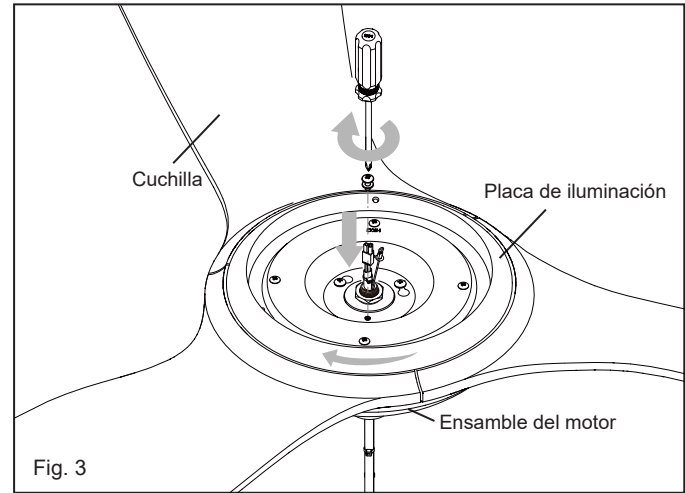


3

Deslice la placa de iluminación sobre la placa base del conjunto del ventilador en el sentido de las agujas del reloj hasta que encaje en su lugar en la sección estrecha de los orificios tipo llave. Apriete primero el tornillo del orificio redondo y luego apriete los otros dos tornillos. (Fig. 3)

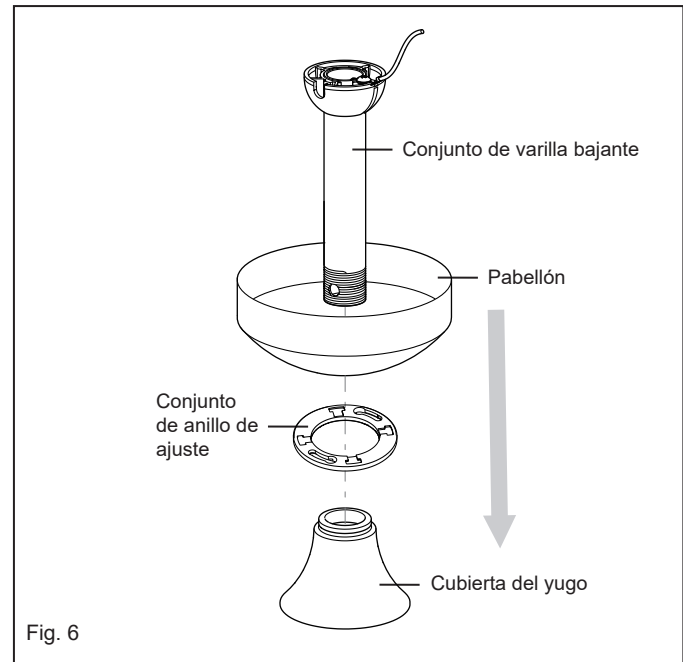
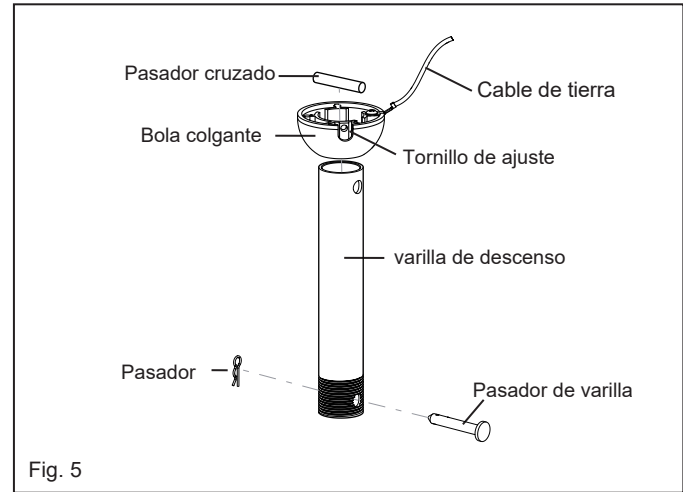
4

Gire el ventilador 180 grados, con la placa de iluminación hacia abajo. (Figura 4)



COLGAR EL VENTILADOR

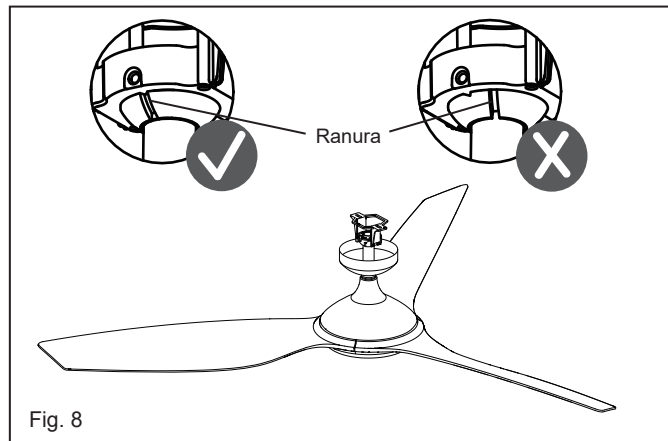
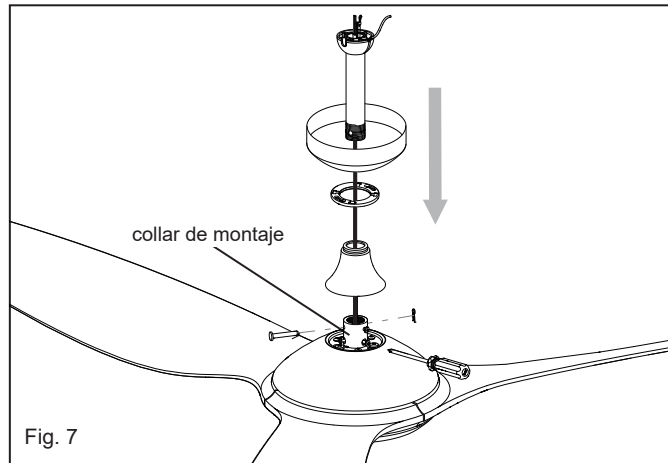
- 1 Retire la bola de la varilla aflojando el tornillo de fijación en el costado de la bola. Deslice la bola hacia abajo y retire el pasador transversal; quitar la bola. (Figura 5)
Sostenga con cuidado el cuerpo del ventilador (motor) en su empaque de pulpa con el collar de montaje (por donde salen los cables) hacia arriba.
Afloje los dos tornillos de seguridad y retire el pasador de la varilla y la chaveta del acoplamiento en la parte superior del conjunto del motor. (Figura 5)
- 2 Pase con cuidado los cables eléctricos y el cable de seguridad del ventilador a través de la varilla. Enrosque la varilla en el acoplador hasta que los orificios se alineen. Inserte el pasador de la varilla a través de los orificios del collar de montaje y de la varilla; Sujete la chaveta a través del pequeño orificio en el extremo del pasador de la varilla para mantener la varilla en su lugar. (Figura 6)
Apriete los tornillos de seguridad contra la varilla con un destornillador grande de punta plana para asegurar un ajuste perfecto contra la varilla.



- 3 Deslice la cubierta del yugo, el anillo embellecedor y la cubierta sobre la varilla bajante. (Figura 7)
- 4 Deslice la bola de suspensión sobre la varilla, inserte el pasador transversal a través de la varilla y apriete el tornillo de fijación.

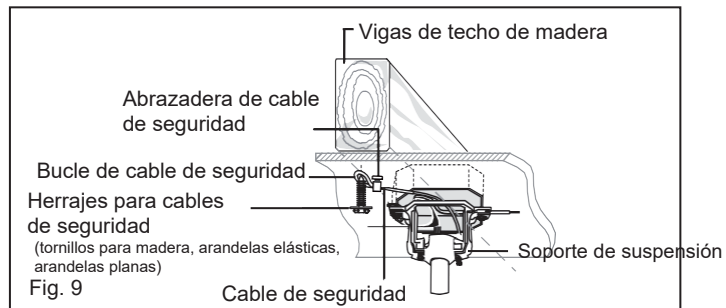
NOTA:
El ventilador tiene 6 pies de cable de conexión en caso de que esté usando una varilla de extensión larga.

- 5 Levante la bola/la varilla/el ventilador hacia la abertura del soporte para colgar.
NOTA: La lengüeta opuesta a la abertura del soporte de suspensión debe encajar en la ranura de la bola (Figura 8).



INSTALACIÓN DEL SOPORTE DEL CABLE DE SEGURIDAD

Fije el tornillo para madera, la arandela elástica y la arandela plana a la viga del techo como se muestra (no apriete completamente). Pase el cable de seguridad alrededor del tornillo para madera que acaba de colocar en la viga del techo. Apriete el tornillo para madera a la viga del techo. Corte el exceso de cable. (Figura 9)



CONEXIONES ELÉCTRICAS

RECUERDE -¡Apague la energía! **NOTA:** el control debe estar instalado a 30 pies del ventilador.

ADVERTENCIAS: Verifique que todas las conexiones estén apretadas, incluida la tierra, y que no se vea ningún cable desnudo en las tuercas para cables, excepto el cable de tierra.

PRECAUCIÓN: Para reducir el riesgo de descarga eléctrica, este ventilador debe instalarse con un control/interruptor de pared aislante. Apagar el interruptor de pared aislante puede anular cualquier comando de operación inteligente o remoto.

1. Inserte el receptor en el soporte de montaje en techo con el lado plano del receptor mirando hacia el techo. (Fig. 10) Para un mejor rendimiento, asegúrese de que la antena negra y la antena WIFI, en el extremo del receptor, permanezcan extendidas y no enredadas con ninguno de los cables eléctricos.
2. Realice las conexiones de cables desde el ventilador a la unidad receptora. Para este paso utilice el haz de 5 cables del receptor. (Figura 11)

Conecte el cable ROJO del ventilador al cable ROJO del receptor.

Conecte el cable GRIS del ventilador al cable GRIS del receptor.

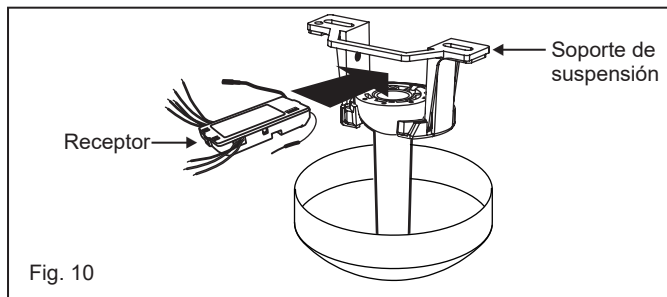
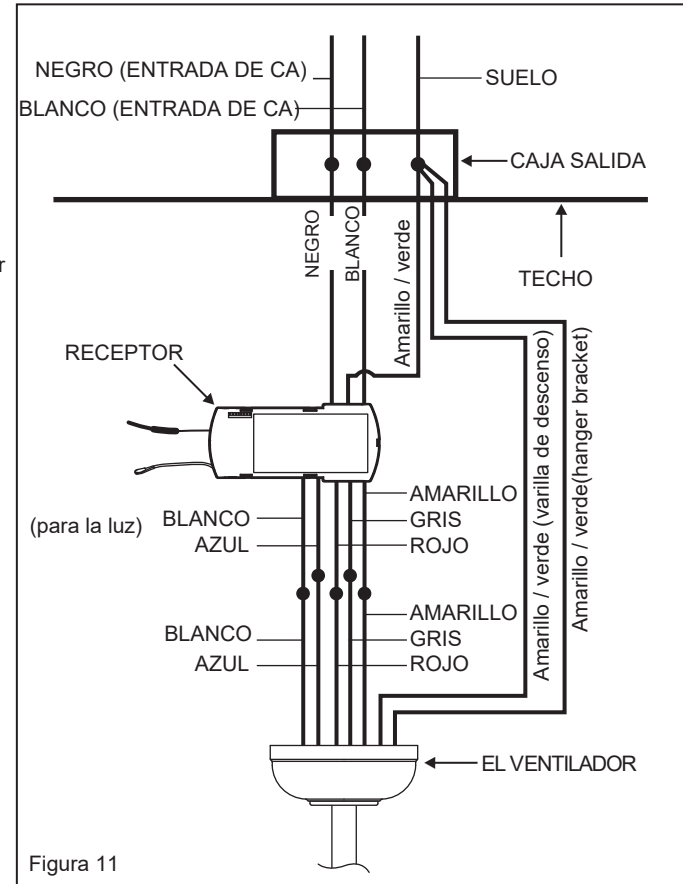
Conecte el cable AMARILLO al cable AMARILLO del receptor.

Conecte el cable BLANCO del kit de luz del ventilador al cable BLANCO del receptor marcado "Para luz".

Conecte el cable del kit de luz AZUL del ventilador al cable del receptor AZUL marcado "Para luz".

Los colores de los cables del ventilador son azul/blanco para el kit de luces. Los cables del kit de luces del controlador/receptor son azules/blancos.

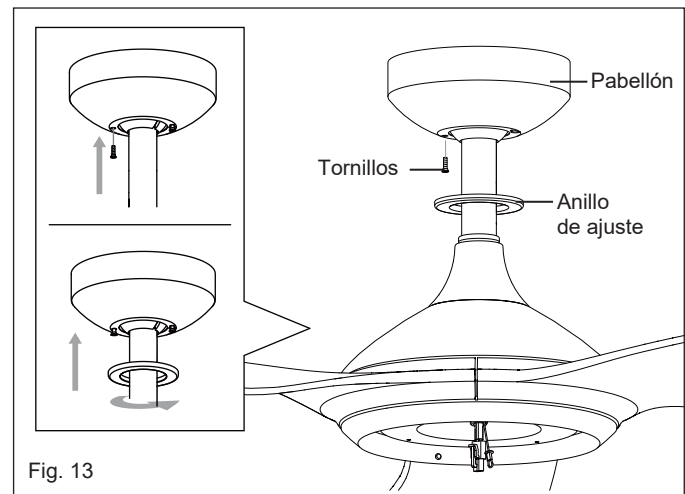
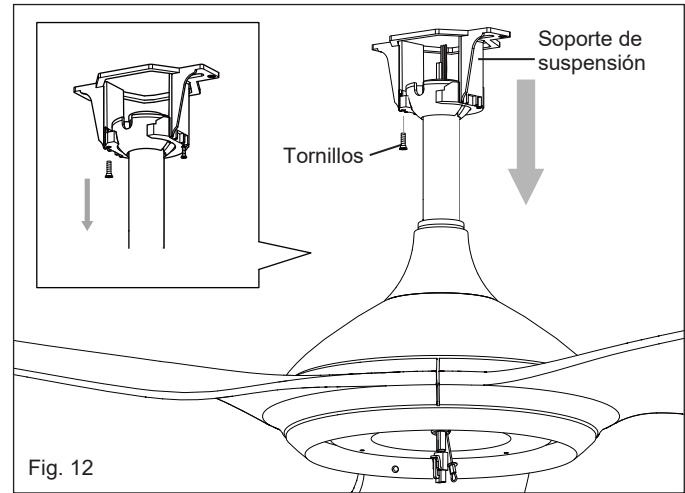
3. Conecte el cableado desde el techo a la unidad receptora. (Utilice el haz de 2 cables en el receptor). Asegúrelo con las tuercas para cables suministradas. Conecte el cable NEGRO de suministro del edificio al cable NEGRO del receptor. Conecte el cable neutro BLANCO del receptor al cable neutro BLANCO del edificio. Conecte el cable de tierra de COBRE del edificio a los 3 cables de tierra AMARILLO/VERDE del ventilador y el receptor.



INSTALACIÓN DE MARCO DE TECHO

- 1 Meta las conexiones cuidadosamente en la caja eléctrica del techo.
- 2 Retire un tornillo del soporte y afloje el otro tornillo del soporte. (Figura 12)
- 3 Deslice la cubierta hasta el soporte colgante y coloque el orificio para llave en el tornillo del soporte de montaje, gire la cubierta hasta que encaje en su lugar en la sección estrecha de los orificios para cerradura. Alinee el orificio circular en la cubierta con el orificio restante en el soporte de montaje y asegúrelo apretando los dos tornillos de fijación. Alinee el extremo interior más grande del orificio del anillo embellecedor con el tornillo de la cubierta y deslícelo en sentido antihorario para apretar el aro embellecedor. (Figura 13)

NOTA: Ajuste los tornillos de la cubierta según sea necesario hasta que la cubierta y el anillo embellecedor queden ajustados.



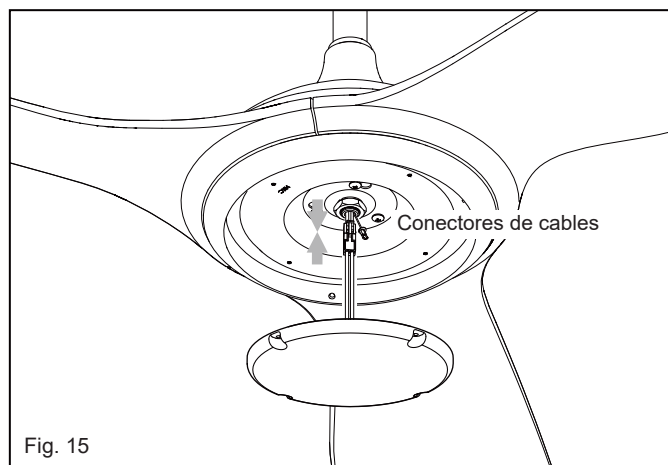
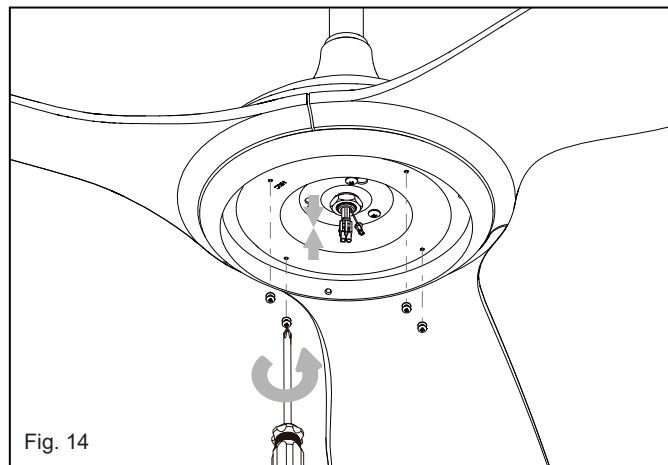
ADVERTENCIA:

Asegúrese de que el gancho del soporte para colgar se asiente correctamente en la ranura de la bola para colgar antes de fijar la cubierta al soporte girando la carcasa hasta que encaje en su lugar.

INSTALACIÓN DEL CONJUNTO DE LED Y LA PANTALLA DE PC

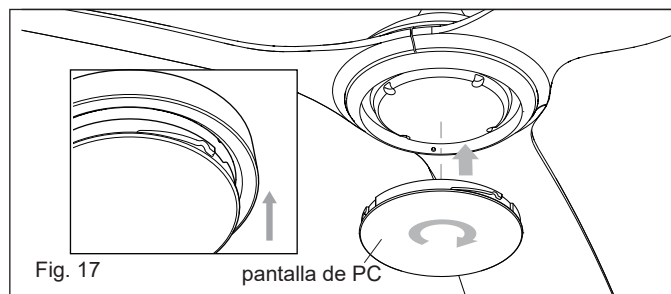
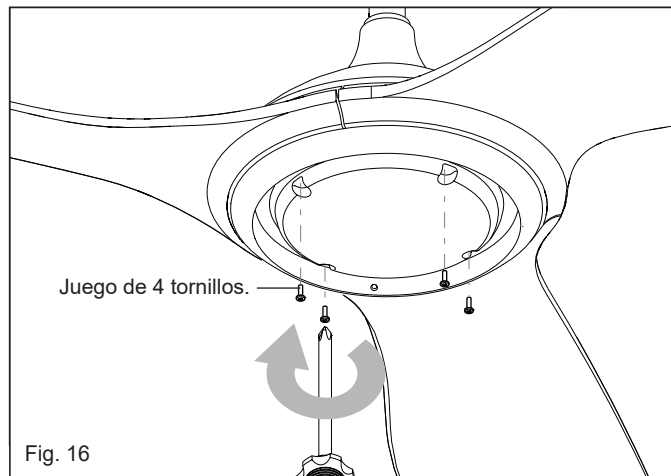
NOTA: Asegúrese de que la alimentación esté apagada antes de realizar la instalación.

- 1 Retire los cuatro tornillos que estaban preinstalados en la placa de iluminación. (Figura 14)
- 2 Mientras sostiene el conjunto de LED debajo de su ventilador, realice las conexiones del enchufe polarizado:
 - Blanco a blanco
 - Azul a azul



- 3 Alinee los orificios para tornillos del conjunto de LED con los orificios para tornillos de la placa de iluminación. Apriete los cuatro tornillos. (Figura 16)
- 4 Levante la pantalla de la PC contra el conjunto de LED y gírela en sentido antihorario hasta que quede ajustada. (Figura 17)
NO APRIETE DEMASIADO
- 5 Restablezca la energía y su conjunto de LED estará listo para funcionar.

NOTA: La cubierta decorativa incluida con su ventilador es una opción para reemplazar el conjunto de LED de la luz en caso de que prefiera no usar la función de luz de su ventilador. La cubierta decorativa no es necesaria para el funcionamiento de la luz. Se puede guardar para su uso posterior si lo desea.



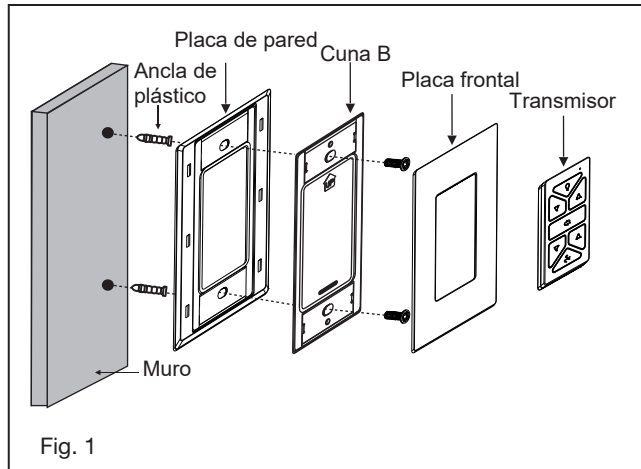
INSTALACIÓN DEL CONTROL DE PARED

RECUERDE apagar la alimentación antes de comenzar.

NOTA: Se fija a cualquier superficie o aplicación: pared plana, caja de conexiones sencillas, caja de conexiones múltiples.

Opción 1. Instalación en superficie plana

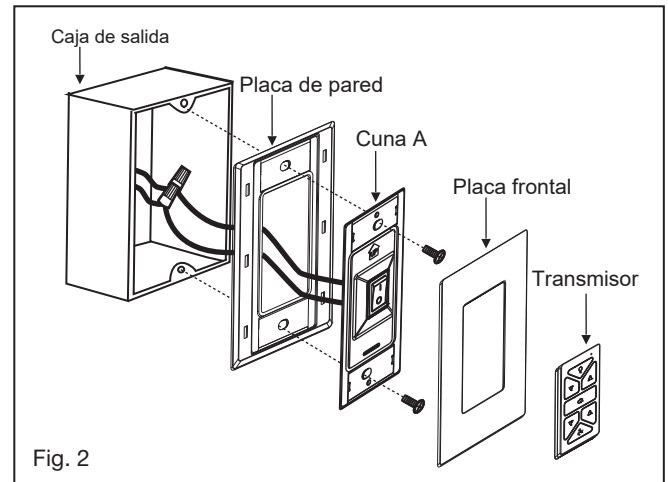
- 1 Seleccione una ubicación deseada. Utilice la placa de pared para marcar la ubicación de los orificios de montaje. Para esta aplicación se necesitan anclajes de pared de plástico o tornillos de montaje. (Figura 1)
- 2 Asiente la cuna B en la placa de pared. Asegure la placa de pared a la pared usando los accesorios provistos.
- 3 Encaje la cubierta de la placa frontal en el soporte de pared.
- 4 El transmisor remoto se mantendrá en su lugar con ma incorporadognets.



HIRO HIRO Sistema de control

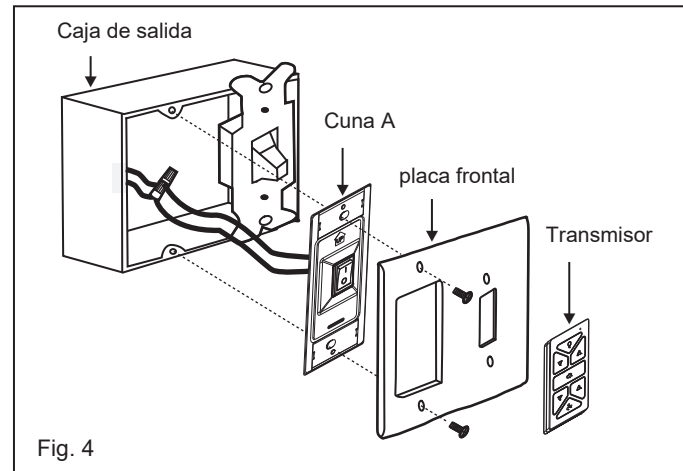
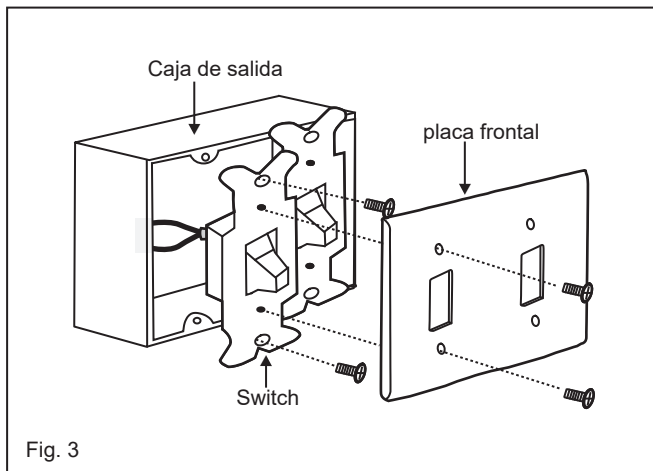
Opción 2. Para caja de banda única

- 1 Retire la placa de pared existente y el interruptor viejo de la caja de salida de la pared.
- 2 Asiente la cuna A en la placa de pared. (Figura 2)
- 3 Conecte los cables conductores negros del interruptor en la base A a los cables negros en la caja del interruptor. Cable de entrada activo a uno de los cables del interruptor de la base A. El cable de alimentación del ventilador está conectado al cable restante del interruptor.
- 4 Conecte el conjunto de placa de pared/soporte A a la caja de tomacorriente de pared utilizando los accesorios suministrados.
- 5 Encaje la cubierta de la placa frontal en el soporte de pared.
- 6 El transmisor remoto se mantendrá en su lugar con imanes incorporados.



Opción 3. Instalación de caja de interruptores de pared de varios grupos

- 1 Retire la placa de pared existente y el interruptor viejo de la caja de salida de la pared. (Fig. 3)
- 2 Conecte los cables conductores negros del interruptor en la base A a los cables negros en la caja del interruptor. Cable de entrada activo a uno de los cables del interruptor de la base. El cable de alimentación del ventilador está conectado al cable restante del interruptor. (Figura 4)
- 3 Fije la base A a la caja de interruptores de pared utilizando los accesorios suministrados.
- 4 Fije la placa frontal multidispositivo al juego de interruptores en la caja de salida de la pared. El soporte A del interruptor Hinkley encajará en cualquier placa frontal decora estándar.
- 5 El transmisor remoto se mantendrá en su lugar con imanes incorporados.



HIRO HIRO Sistema de control

OPERACIÓN






Su motor DC sin escobillas está equipado con un control remoto de aprendizaje automático. No hay interruptores de frecuencia en el receptor o transmisor. El ventilador puede comenzar a usarse una vez finalizado el proceso de emparejamiento.

Retire el panel del transmisor y luego instale una batería 2032 (incluida). Necesita utilizar un destornillador para abrir o cerrar la tapa de la batería. Para evitar daños al transmisor, retire la batería si no la usa durante períodos prolongados (Fig. 1)

ADVERTENCIA: Peligro de quemaduras químicas. Mantenga las baterías fuera del alcance de los niños.

7efWbcbVgLfá Lâ f|VWg` S TSFMS WWTafò !b|S WW
Tafò` VW|f|azE| g` S TSFMS WW|ffa WWTafò !b|S WW
Tafò` `gMS a geSVS eW| Y|VWâ |` YMS S` LgVbal
bgVWVSGeSdcgW SVgSe| fW| Se YbShWk bchhaSd`S
_ gVFW W IS` eâ`a S Zacez 3eVgdW eW bcdV
Lâ_bMS_ WFWWâ_bSd| |Wfa WWS TSFMSzE| W
Lâ_bSd| |Wfa WWS TSFMSz` a U|MS WWTad S
eVgd| WWWgeSd WbcbVgLfal dM|VSe TSFMSz k
_ S` fè` YS`a SVS`a Wvae` |naezE` LâWc|VSe b|Se
bgVW ZSTW| eVâ |` YW|VSe a Lâ`aLSVSe Wfcb WW
LgS`cg|W| bSdVWWVgVbal TgecgVSWW|ò` _ eV|S
|` _ W|S|S


>Se TSFMSz WWTafò` WWTafò` WWTafò` WWTafò` WWTafò`
|` Ugea` _ S` fW|e` Va`Se` XMS WWSLS` UWWvae` |nae`
;` Ugea` `Se`Lg`Se`geS`Se`bgVWVSGeSd`Wfa` Wz

- 1  botón:
Presione y suelte este botón para encender/apagar la luz.
- 2  botón:
Presione estos botones para atenuar o iluminar las luces al nivel deseado y suéltelos.
- 3  botón:
Presione este botón para configurar la dirección del viento del ventilador hacia arriba o hacia abajo.
- 4  botón:
Presione estos botones para ajustar la velocidad del ventilador hacia arriba o hacia abajo entre las velocidades 1 y 6.
- 5  botón:
Presione y suelte este botón para encender/apagar el ventilador.
- 6 Luz de señal (Fig.2)

Proceso de emparejamiento

NOTA: Si instala/empareja más de un ventilador en un área, se debe desconectar la alimentación de todos los ventiladores excepto del que se está emparejando.

NOTA: El ventilador debe estar completamente instalado con las aspas antes de emparejar los controles.

Con el ventilador apagado, restablezca la energía al ventilador. Mantenga presionado el botón “” durante aproximadamente 5 segundos y suéltelo. Si se instala un kit de luces opcional, el kit de luces parpadeará tres veces y el motor girará durante 10 segundos a baja velocidad. El ventilador ha completado el proceso de emparejamiento con el control de pared y está listo para usar.

NOTA: Un solo ventilador se puede controlar con hasta 3 controles de pared en una habitación. Cada control deberá repetir el proceso de emparejamiento según las instrucciones anteriores y todos los controles deben estar a menos de 30 pies del ventilador..

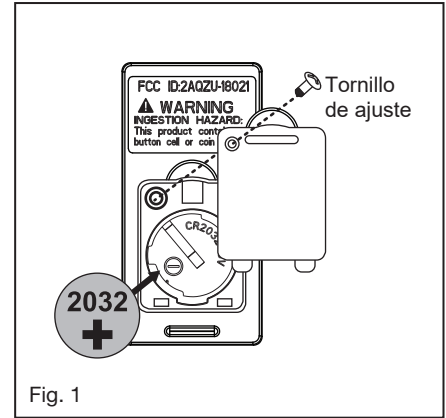


Fig. 1

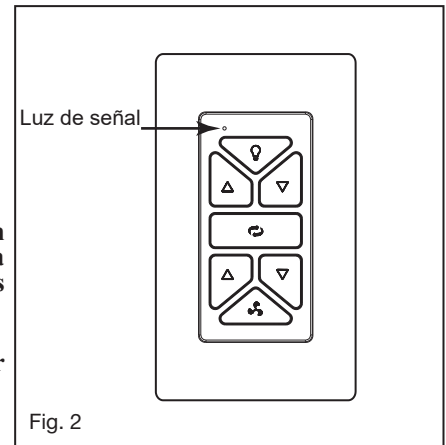
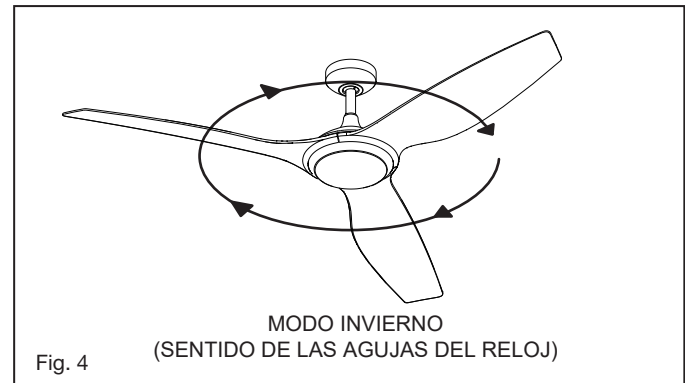
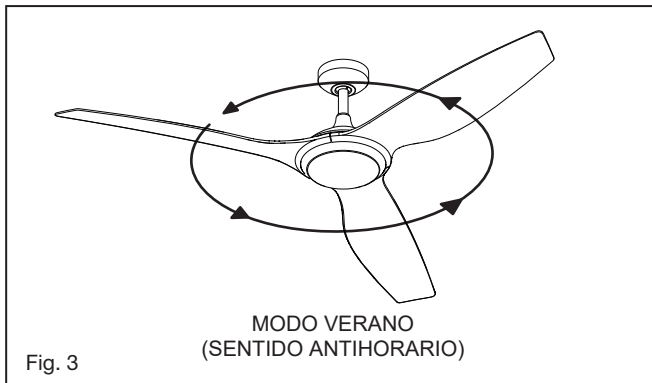


Fig. 2

HIRO HIRO Sistema de control

Funcionamiento en modo verano y modo invierno

- 7 **IMPORTANTE:** Para evitar daños o lesiones, asegúrese de que el ventilador esté apagado y que las aspas hayan dejado de moverse por completo antes de intentar cambiar la dirección de rotación.
- 8 Modo Verano (adelante):
Un flujo de aire HACIA ABAJO crea un efecto de enfriamiento como se muestra en la Figura 3. Esto le permite configurar su aire acondicionado en una configuración más cálida sin afectar su comodidad.
- 9 Modo invierno (inverso):
Un flujo de aire HACIA ARRIBA mueve el aire más cálido fuera del área del techo como se muestra en la Figura 4. Esto le permite configurar su unidad de calefacción en una configuración más fría sin afectar su comodidad.



CUIDADO Y LIMPIEZA

Periódicamente puede ser necesario volver a apretar los tornillos del brazo del aspa o del brazo del aspa al motor para evitar un chasquido o un zumbido durante el funcionamiento. Esto es especialmente cierto en climas con amplios rangos de temperatura y humedad.

Al desempolvar las hojas, debe apoyar la hoja para evitar que se doble; no se debe aplicar presión a las hojas. Si experimenta alguna falla en el funcionamiento de su ventilador, verifique los siguientes puntos.

SOLUCIÓN DE PROBLEMAS

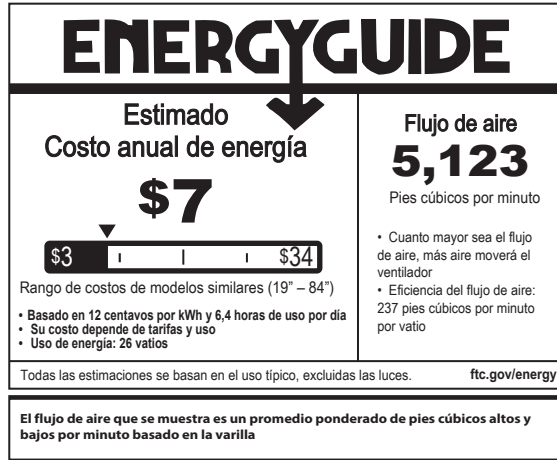
PRECAUCIÓN:

Apague el suministro eléctrico antes de realizar cualquiera de estas comprobaciones.

| PROBLEMA | SOLUCIÓN |
|---------------------------|--|
| EL VENTILADOR NO ARRANCA | <ol style="list-style-type: none">1. Verifique para asegurarse de que haya baterías nuevas instaladas en el control remoto o en el control de pared. Verifique los fusibles o disyuntores del circuito.2. Verifique la luz indicadora LED del control de pared. Si el LED no se ilumina al presionar un botón, no está transmitiendo una señal. Verifique la alimentación al control de pared/disyuntor y todas las conexiones eléctricas.3. Asegúrese de que no haya más de 2 ventiladores funcionando en un circuito a través del control de pared. Asegúrese de que no haya más de 12 ventiladores funcionando en un circuito a través de un interruptor de pared de encendido/apagado o un disyuntor (no a través de un control de pared).4. Asegúrese de que el ventilador esté dentro del alcance del WiFi (150 pies) o del control de pared (30 pies). |
| SONIDOS DE VENTILADOR | <ol style="list-style-type: none">1. Permita un período de "asentamiento" de 24 horas. La mayor parte del ruido asociado con un ventilador nuevo desaparecerá durante este tiempo.2. Asegúrese de que todos los tornillos de la carcasa del motor estén bien apretados.3. Asegúrese de que los tornillos que sujetan el aspa del ventilador al ventilador estén apretados.4. Asegúrese de que su caja de techo esté segura y que se usen almohadillas aislantes de goma entre el soporte de montaje y la caja de salida. |
| EL VENTILADOR SE BALANCEA | <ol style="list-style-type: none">1. Verifique que todos los tornillos de las aspas y los brazos de las aspas estén seguros.2. Si todavía se nota el bamboleo de las hojas, intercambiar dos hojas adyacentes (lado a lado) puede redistribuir el peso y posiblemente resultar en una operación más suave.3. Verifique para asegurarse de que todas las varillas del motor y/o la bola de suspensión estén apretadas.4. Asegúrese de que la caja del techo esté segura. |

GUÍA DE ENERGÍA

INFORMACIÓN MEDIA DE DESEMPEÑO Y ENERGÍA



ESPECIFICACIONES

| ESPECIFICACIONES DE RENDIMIENTO | ESTÁNDAR | |
|--------------------------------------|----------------|----------------|
| | ALTO VELOCIDAD | BAJA VELOCIDAD |
| Flujo de aire (CFM) | 7311 | 2644 |
| Uso de energía (vatios) | 39.4 | 3.9 |
| Eficiencia del flujo de aire (CFM/W) | 186 | 678 |
| Costos de energía (anual) | \$11 | \$1 |
| Amperios | 0.49 | 0.08 |
| RPM | 140 | 51 |

DESCARGA DE LA APLICACIÓN HINKLEY

INSTRUCCIONES DE LA APLICACIÓN HINKLEY:

Además del control de pared incluido, puedes controlar tu ventilador Hinkley a través de la aplicación Hinkley.

- Para usar la **aplicación Hinkley**, descárguela gratis de App Store o Google Play.
- Abra la **aplicación Hinkley** donde se le pedirá que cree una cuenta.
- Ingrese toda la información necesaria para crear una cuenta.
- Después de crear la cuenta, recibirá un correo electrónico con el código de verificación para terminar de configurar la **aplicación Hinkley** (consulte la carpeta de correo no deseado si no se recibe el correo electrónico).
- Confirme que Bluetooth esté habilitado para permitir que el ventilador y la aplicación Hinkley se conecten entre sí.
- Haga clic en agregar un dispositivo en la pantalla de inicio y seleccione el ventilador deseado.
- La **aplicación Hinkley** le pedirá que ingrese el nombre y la contraseña de WiFi.
- Haga clic en Listo en la aplicación Hinkley para completar la conexión del ventilador.
- La **aplicación Hinkley** tendrá opciones en la pantalla principal para velocidades de ventilador, atenuación y configuración de temporizadores.
- Escanee el código QR a continuación para obtener más información sobre el funcionamiento de la **aplicación Hinkley**.



ESCANEAR PARA DETALLES ADICIONALES

GRACIAS

POR COMPRAR SU NUEVO VENTILADOR HINKLEY

RESPALDAMOS CADA ACCESORIO QUE FABRICAMOS. ESTE VENTILADOR DEBE PROPORCIONARLE MUCHOS AÑOS DE DISFRUTE. EN EL CASO IMPROBABLE DE QUE TENGA UN PROBLEMA, ESTAMOS AQUÍ PARA AYUDARLE A RESOLVERLO.

LLAME AL 1(800)446-5539, VISITE HINKLEY.COM/FAN O ENVÍE UN CORREO ELECTRÓNICO A CUSTOMERCARE@HINKLEY.COM ANTES DE REGRESAR AL MINORISTA.



**ESCANEE EL CÓDIGO QR PARA
OBTENER SOPORTE ADICIONAL Y
GUÍAS DE CONFIGURACIÓN
DETALLADAS**

HINKLEY

HINKLEY ESTÁ ORGULLOSO DE OFRECERLE PRODUCTOS DE VENTILADORES DE TECHO QUE MEJORAN SU ESPACIO CON COMODIDAD, PROPÓSITO Y ESTILO. COMO EMPRESA FAMILIAR, ESTAMOS COMPROMETIDOS CON EL DISEÑO, EL RENDIMIENTO Y LA CALIDAD, Y LO QUE ES IMPORTANTE PARA USTED ES LO PRIORITARIO PARA NOSOTROS.

PARA UNA SURTIDA COMPLETA DE NUESTROS PRODUCTOS Y LIBROS DE FUENTES, VISITE HINKLEY.COM.

HINKLEY

GLOBAL HEADQUARTERS

33000 Pin Oak Parkway | Avon Lake, Ohio 44012

T (440) 653 5500 | F (440) 653 5555 | hinkley.com

HINKLEY

64" TALAN™

VENTILATEUR LED INTÉRIEUR/EXTÉRIEUR



DAMP



DC MOTOR



LED



Intertek



WIFI



**PRÊT
UTILISER.**

**COMMANDE
PRÉ-
APPAIRÉE.**

MANUEL D'INSTRUCTIONS DU VENTILATEUR DE PLAFOND



HINKLEY

Associer avec l'application HINKLEY
TÉLÉCHARGER SUR APP STORE ou GOOGLE PLAY

NOUS VOULONS VOUS AIMER VOTRE NOUVEAU FAN

NOUS SOMMES ICI SI VOUS AVEZ UNE QUESTION, BESOIN D'UNE AIDE OU VOULEZ CHAT SUR NOS PRODUITS. ENVOYER DES SUGGESTIONS NOTRE FAÇON AUSSI - NOUS CHERCHONS TOUJOURS À FAIRE DE VOTRE EXPÉRIENCE AVEC HINKLEY UNE POSITIVE.

> SERVICE@HINKLEY.COM

> [800.HINKLEY](https://www.800.hinkley.com)

> [LET'S SEE THAT HINKLEY STYLE @HINKLEY](#)
[#HINKLEYSTYLE](#)

Ce manuel contient des instructions complètes pour l'installation et le fonctionnement de ce ventilateur. Il a été conçu pour rendre le processus d'installation aussi simple que possible. Si vous n'êtes pas familier ou mal à l'aise avec le câblage, veuillez contacter un électricien qualifié. Si vous avez besoin d'aide supplémentaire ou avez des questions, n'hésitez pas à nous contacter.

Pour des informations sur la garantie, visitez hinkley.com.

TABLE DES MATIÈRES

| | | | |
|----|--|----|--|
| 02 | INSTRUCTIONS GÉNÉRALES D'INSTALLATION ET D'UTILISATION | 13 | INSTALLATION DE L'ENSEMBLE DE LED ET DU SHADE PC |
| 03 | PRÉCAUTIONS DE SÉCURITÉ IMPORTANTES | 15 | INSTALLATION DE LA COMMANDE MURALE |
| 03 | OUTILS ET MATÉRIAUX REQUIS | 17 | OPÉRATION |
| 05 | DÉBALLAGE DE VOTRE VENTILATEUR | 19 | ENTRETIEN ET NETTOYAGE |
| 06 | PRÉPARATION | 19 | DÉPANNAGE |
| 06 | INSTALLATION DU SUPPORT DE SUSPENSION | 20 | GUIDE ÉNERGÉTIQUE |
| 07 | INSTALLATION DES LAMES | 20 | CARACTÉRISTIQUES |
| 09 | SUSPENDRE LE VENTILATEUR | 21 | APPLICATION HINKLEY / WIFI |
| 11 | CONNEXIONS ELECTRIQUES | | |
| 12 | INSTALLATION D'UN AUVENT DE PLAFOND | | |

**PRÊT
UTILISER.**

**CONTRÔLE
PRÉ-ASSOCIÉ.**

REMARQUE : Si l'APPARIEMENT est nécessaire, reportez-vous aux instructions d'appariement des commandes dans la section fonctionnement de ce manuel d'instructions.

AVERTISSEMENT:

Lisez et suivez attentivement ces instructions et soyez attentif à tous les avertissements qui y figurent.

INSTRUCTIONS GÉNÉRALES D'INSTALLATION ET DE FONCTIONNEMENT

- 1 Pour garantir le succès de l'installation, assurez-vous de lire les instructions et de revoir attentivement les schémas avant de commencer.
- 2 Pour éviter tout risque de choc électrique, assurez-vous que l'électricité est coupée au niveau du boîtier d'alimentation principal avant le câblage. Toutes les connexions électriques doivent être effectuées conformément aux codes locaux, aux ordonnances et/ou au Code national de l'électricité. Si vous n'êtes pas familier avec les méthodes d'installation du câblage et des produits électriques, faites appel aux services d'un électricien qualifié et agréé ainsi que d'une personne capable de vérifier la résistance des éléments de support du plafond et d'effectuer la ou les installations et connexions appropriées.
- 3 **AVERTISSEMENT** : Pour réduire le risque d'incendie, de choc électrique ou d'autres blessures corporelles, montez le ventilateur uniquement sur une boîte de sortie ou un système de support marqué comme acceptable pour un support de ventilateur de 35 lb (15,9 kg ou moins) et utilisez les vis de montage fournies avec la boîte de sortie. . La plupart des boîtes de sortie couramment utilisées pour le support des luminaires ne sont pas acceptables pour le support des ventilateurs et peuvent devoir être remplacées. Consultez un électricien qualifié en cas de doute.
- 4 Assurez-vous que votre site d'installation ne permettra pas aux pales du ventilateur en rotation d'entrer en contact avec un objet. Les lames doivent être à au moins 7 pieds du sol.
- 5 Les lames doivent être fixées une fois le boîtier du moteur suspendu et mis en place. Le boîtier du moteur du ventilateur doit être conservé dans le carton jusqu'à ce qu'il soit prêt à être installé pour protéger sa finition. Si vous installez plusieurs ventilateurs de plafond, assurez-vous de ne pas mélanger les ensembles de pales de ventilateur, car chaque pale fait partie d'un ensemble pondéré.
- 6 Après avoir effectué les connexions électriques, les conducteurs épissés doivent être tournés vers le haut et poussés avec précaution vers le haut dans la boîte de sortie. Les fils doivent être écartés avec le conducteur commun et le conducteur de terre d'un côté de la boîte de sortie, et le Fils "CHAUDS" de l'autre côté.
- 7 Les schémas électriques sont uniquement à titre de référence. Les kits d'éclairage qui ne sont pas emballés avec le ventilateur doivent être répertoriés UL et doivent être installés conformément aux instructions d'installation du kit d'éclairage.
- 8 Une fois le ventilateur complètement installé, vérifiez que toutes les connexions sont sécurisées pour éviter que le ventilateur ne tombe et/ou ne cause des dommages ou des blessures.
- 9 Le ventilateur peut être mis en marche immédiatement après l'installation - les roulements sont suffisamment chargés de graisse de sorte que, dans des conditions normales, une lubrification supplémentaire ne devrait pas être nécessaire pendant toute la durée de vie du ventilateur.
- 10 Pour faire fonctionner la fonction d'inversion sur ce ventilateur, appuyez sur le bouton d'inversion pendant que le ventilateur est en marche.
- 11 **ATTENTION** : Ne pas ingérer la batterie - Risque de brûlure chimique. Gardez les piles neuves et usagées hors de portée des enfants.
- 12 La télécommande est fournie avec une pile bouton/bouton. Si la pile bouton/bouton est avalée, cela peut provoquer de graves brûlures internes en seulement 2 heures et entraîner la mort.
- 13 Si le compartiment à piles ne se ferme pas correctement, arrêtez d'utiliser le produit et gardez-le hors de portée des enfants.
- 14 Si vous pensez que des piles ont pu être avalées ou placées dans une partie quelconque du corps, consultez immédiatement un médecin.

PRÉCAUTIONS DE SÉCURITÉ IMPORTANTES

AVERTISSEMENTS:

- Coupez l'alimentation en retirant le fusible ou en éteignant le disjoncteur avant d'installer le ventilateur et/ou l'éclairage en option.
- Support directement depuis la structure du bâtiment.
- Pour réduire le risque d'incendie, de choc électrique ou de blessures corporelles, montez sur la boîte de sortie marquée « acceptable pour le support de ventilateur » et utilisez les vis de montage fournies avec la boîte de sortie. La plupart des boîtes de sortie couramment utilisées pour le support des luminaires ne sont pas acceptables pour le support des ventilateurs et peuvent devoir être remplacées. Consultez un électricien qualifié en cas de doute.
- N'utilisez pas de variateur de lumière à incandescence. N'utilisez pas ce ventilateur avec un dispositif de contrôle de la vitesse du ventilateur de type transformateur.
- Pour réduire le risque de blessures, ne pliez pas les bras des pales lors de leur installation, de l'équilibrage des pales ou du nettoyage du ventilateur. N'insérez aucun objet entre les pales du ventilateur en rotation.

NOTE:

Les précautions, mesures de protection et instructions importantes apparaissant dans ce manuel ne sont pas destinées à couvrir toutes les conditions et situations possibles qui peuvent se produire. Il faut comprendre que le bon sens, la prudence et la prudence sont des facteurs qui ne peuvent pas être intégrés à ce produit. Ces facteurs doivent être fournis par la ou les personnes qui installent, entretiennent et utilisent l'unité.

⚠ AVERTISSEMENT

- **RISQUE D'INGESTION** : Ce produit contient une pile bouton ou une pile bouton.
- **La MORT** ou des blessures graves peuvent survenir en cas d'ingestion.
- Une pile bouton ou une pile bouton avalée peut provoquer des **brûlures chimiques internes** en seulement **2 heures**.
- **GARDER** les piles neuves et usagées **HORS DE LA PORTÉE DES ENFANTS**.
- Consultez immédiatement un médecin si vous soupçonnez qu'une pile a été avalée ou insérée dans une partie du corps.

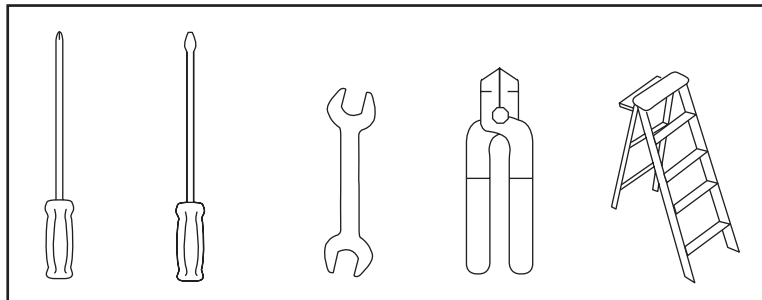


AVERTISSEMENT RISQUE D'INGESTION : Ce produit contient une pile bouton ou une pile bouton.

- Retirez et recyclez ou jetez immédiatement les piles usagées conformément aux réglementations locales et gardez-les hors de portée des enfants. Ne jetez PAS les piles avec les ordures ménagères ou ne les incinerez pas.
- Même les piles usagées peuvent provoquer des blessures graves, voire la mort.
- Appelez un centre antipoison local pour obtenir des informations sur le traitement.
- Le type de pile compatible est CR2032, 3 V.
- Assurez-vous que les piles sont installées correctement en ce qui concerne la polarité (+ et -).
- Ne mélangez pas des piles anciennes et neuves, des marques ou des types de piles différents, tels que des piles alcalines, carbone-zinc ou rechargeables.
- Les piles non rechargeables ne doivent pas être rechargées. Les piles épuisées doivent être retirées du produit.
- Ne forcez pas la décharge, la recharge, le démontage, la chaleur au-dessus de 104° F (40° C) et l'incinération. Cela pourrait entraîner des blessures dues à une ventilation, une fuite ou une explosion entraînant des brûlures chimiques.
- Retirez et recyclez ou jetez immédiatement les batteries des équipements non utilisés pendant une période prolongée, conformément aux réglementations locales.
- Sécurisez toujours complètement le compartiment à piles. Si le compartiment des piles ne se ferme pas correctement, arrêtez d'utiliser le produit, retirez les piles et gardez-les hors de portée des enfants.

OUTILS ET MATÉRIAUX REQUIS

- TOURNEVIS CRUCIFORME
- TOURNEVIS PLAT
- CLÉ OU PINCE
- COUPE-FIL
- ESCABEAU
- FOURNITURES DE CÂBLAGE
COMME REQUIS PAR LE CODE
ÉLECTRIQUE



DÉBALLAGE DE VOTRE VENTILATEUR

DÉBALLER VOTRE FAN ET VÉRIFIER LE CONTENU

- Ne jetez pas le carton. Si un remplacement ou une réparation sous garantie est nécessaire, le ventilateur doit être retourné dans son emballage d'origine. Retirez toutes les pièces et le matériel. Ne posez pas le boîtier du moteur sur le côté, sinon le boîtier décoratif pourrait se déplacer, être plié ou endommagé.
- Examinez toutes les pièces. Vous devriez avoir les éléments suivants:

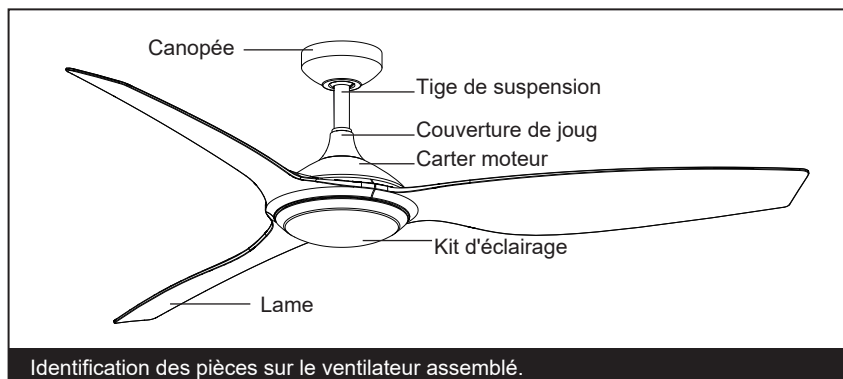
| | | | | |
|--|--|---------------------------------|--|--------------|
| | | CONTENU DU PACKAGE TALAN | | |
| | | 1 | Jeu de 3 lames | BL906864Fxx |
| | | 2 | Couvercle du kit d'éclairage (pour utilisation en option) | LKC906864Fxx |
| | | 3 | Support de suspension | CA906864Fxx |
| | | 4 | Auvent de plafond et anneau de garniture | |
| | | 5 | Ensemble de tige de suspension | DR94016Fxx |
| | | 6 | Couverture de joug | YC906864Fxx |
| | | 7 | Boîtier de ventilateur avec moteur | x |
| | | 8 | Assemblage du kit d'éclairage (24W) | LK906864Fxx |
| | | 9 | Abat-jour PC | |
| | | 10 | Récepteur inclus. 9 serre-fils | CWT906864 |
| | | 11 | HIRO Commande murale avec batterie 2032, support A, plaque murale, plaque frontale, 2 vis de montage, Support B (pour utilisation sur mur plat uniquement) | 980014FWH-R |
| 12 | Sac de matériel | | MH906864 | |
| | Matériel de montage du support (vis, rondelles frein, rondelles plates) | | | |
| | Vis de la lame au moteur avec rondelles élastiques | | | |
| | Matériel de câble de sécurité (vis à bois, rondelles élastiques, rondelles plates) | | | |
| REMARQUE : La conception des pièces illustrées ci-dessus peut être légèrement différente pour votre modèle spécifique de ventilateur. | | | | |
| XX=FINITION VENTILATEUR | | | | |

PRÉPARATION:

PRÉPARATION:

Vérifiez que vous disposez de toutes les pièces avant de commencer l'installation. Vérifiez soigneusement l'insert en mousse pour les pièces manquantes. Retirez le moteur de l'emballage. Pour éviter d'endommager la finition, assemblez le moteur sur une surface rembourrée ou utilisez l'insert en mousse d'origine dans le boîtier du moteur.

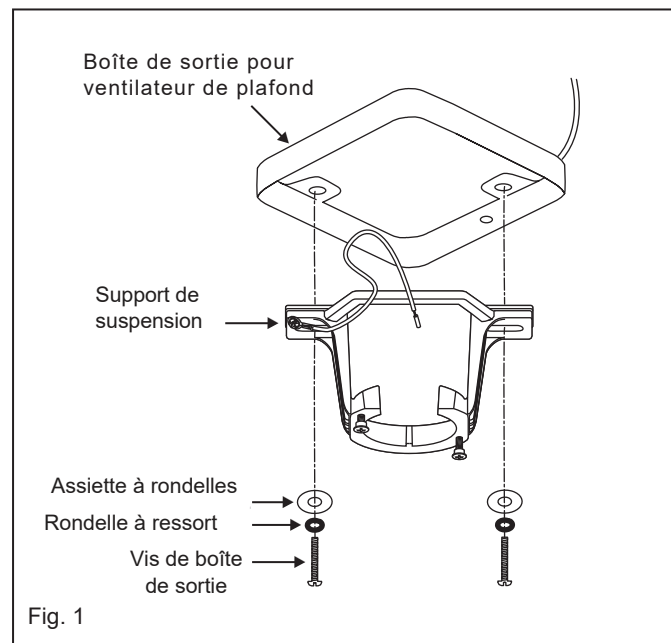
NE POSEZ PAS DE LOGEMENT DE MOTEUR SUR LE CÔTÉ, CELA POURRAIT ENTRAÎNER LE DÉPLACEMENT DU MOTEUR DANS LE BOÎTIER DÉCORATIF..



INSTALLATION DU SUPPORT DE SUSPENSION

ATTENTION: pour éviter tout choc électrique, assurez-vous que l'électricité est coupée sur le boîtier d'alimentation principal avant le câblage. Tout le câblage doit être conforme aux codes électriques nationaux et locaux et le ventilateur de plafond doit être mis à la terre par mesure de précaution contre un éventuel choc électrique.

- 1 Localisez la solive de plafond où le ventilateur doit être monté, en étant sûr que l'emplacement est conforme aux exigences de la section de dégagement minimum de ce guide. Les solives en bois doivent être solides et de taille adéquate pour supporter 35 livres (voir page 2, articles 3 et 4).
- 2 Si ce n'est pas déjà fait, montez une boîte de sortie homologuée UL marquée "convenant au support de ventilateur" en suivant les instructions fournies avec la boîte de sortie. La boîte de sortie doit pouvoir supporter un minimum de 35 livres.
- 3 Fixez le support de suspension au boîtier de sortie à l'aide des vis fournies avec le boîtier de sortie.



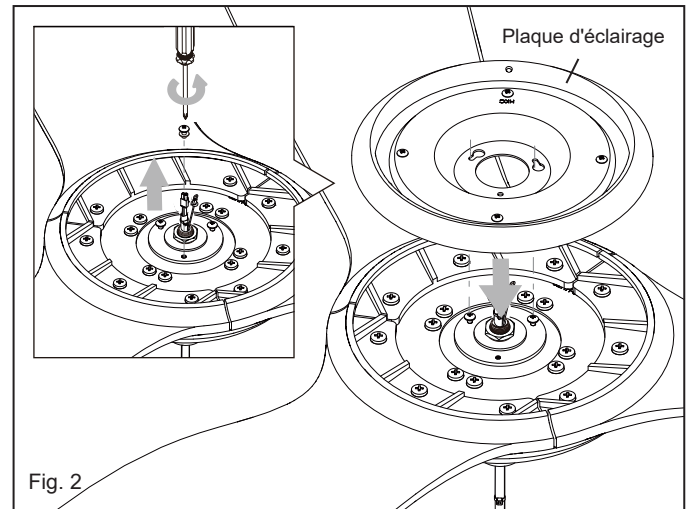
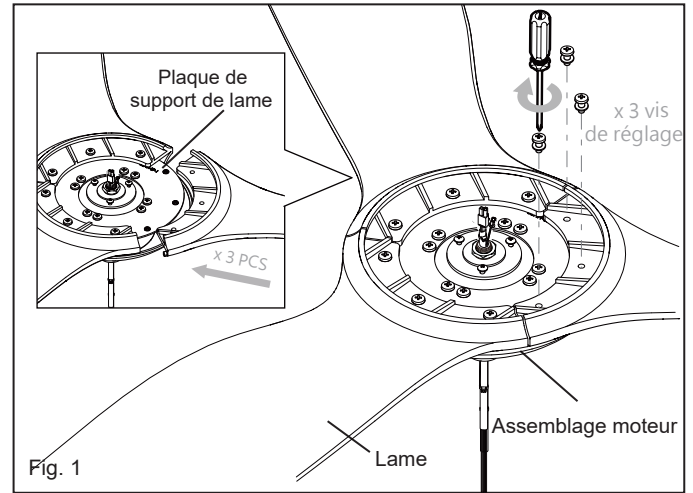
INSTALLATION DES LAMES

AVERTISSEMENT : pour réduire le risque de blessures, ne pliez pas les pales lors de l'installation, de l'équilibrage des pales ou du nettoyage du ventilateur.

- 1 Insérez la lame dans la fente du boîtier. Alignez les trous sur la pale et l'ensemble moteur du ventilateur et fixez-les avec les vis de fixation de la pale. (Fig. 1)
- 2 Desserrez deux des trois vis de la plaque de base aux 2/3 et retirez l'une des vis de la plaque de base. Alignez les deux trous de serrure de la plaque d'éclairage avec les deux vis de la plaque de base. (Fig.2)

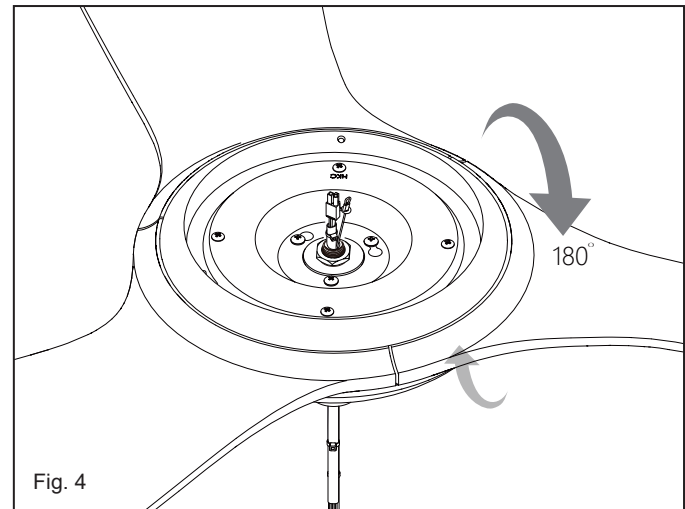
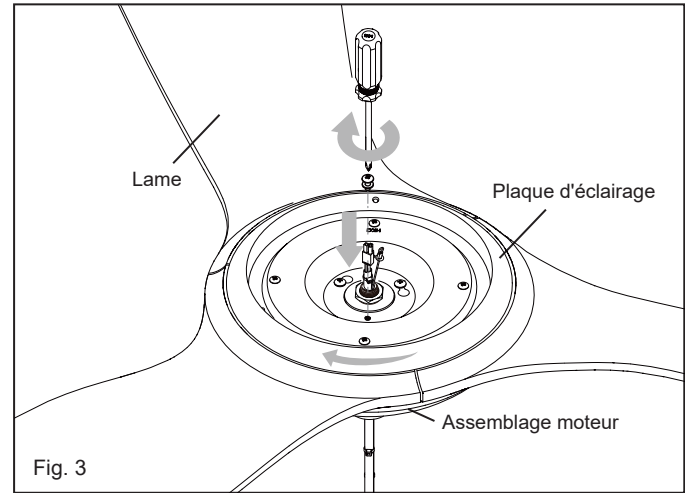
NOTE:

Les tournevis électriques sans fil ne sont PAS recommandés, car ils dénudent généralement les têtes des vis et ne compriment généralement pas complètement les rondelles de blocage des vis du moteur. Utilisez un grand tournevis à lame plate pour le serrage final afin de comprimer complètement les rondelles. Cela aidera à garantir un bon alignement des lames et un fonctionnement sans bruit et sans oscillation.



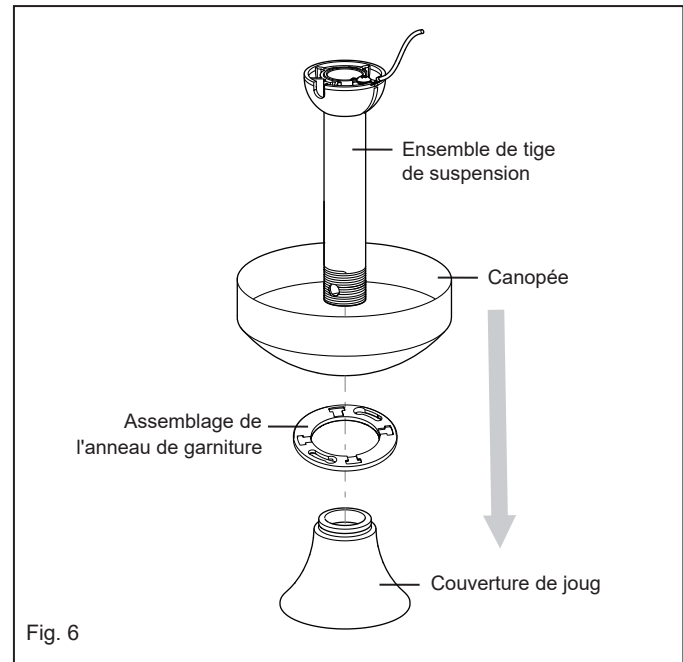
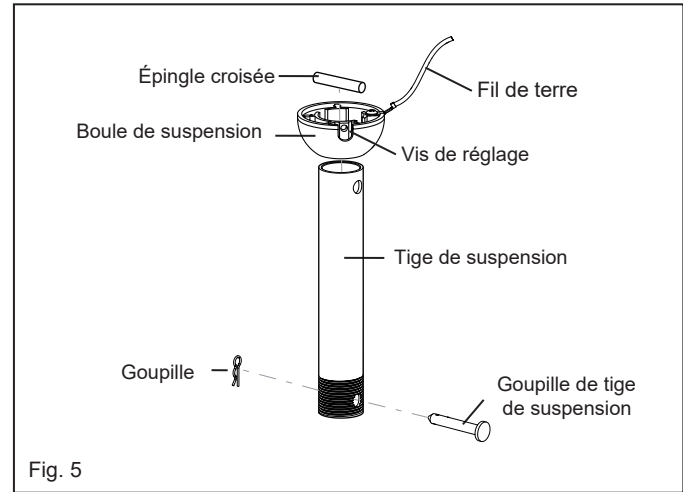
3 Faites glisser la plaque d'éclairage sur la plaque de base du ventilateur dans le sens des aiguilles d'une montre jusqu'à ce qu'elle se verrouille en place au niveau de la section étroite des trous de serrure. Serrez d'abord la vis du trou rond, puis serrez les deux autres vis. (Fig.3)

4 Faites pivoter le ventilateur à 180 degrés, avec la plaque d'éclairage tournée vers le bas. (Fig.4)



SUSPENDRE LE VENTILATEUR

- 1 Retirez la boule de la tige de suspension en desserrant la vis de réglage sur le côté de la boule. Faites glisser la boule vers le bas et retirez la goupille transversale ; retirez la balle. (Fig.5) Soutenez soigneusement le ventilateur (moteur) dans son emballage en pulpe avec le collier de montage (d'où sortent les fils) orienté vers le haut. Desserrez les deux vis de sécurité et retirez la goupille de tige de suspension et la goupille fendue de l'accouplement sur le dessus de l'ensemble moteur. (Fig.5)
- 2 Faites passer soigneusement les fils électriques et le câble de sécurité du ventilateur à travers la tige de suspension. Vissez la tige de suspension dans le coupleur jusqu'à ce que les trous soient alignés. Insérez la goupille de la tige de suspension dans les trous du collier de montage et de la tige de suspension ; Clipsez la goupille fendue dans le petit trou à l'extrémité de la tige de suspension pour maintenir la tige de suspension en place. (Fig. 6)
Serrez les vis de sécurité contre la tige de suspension à l'aide d'un gros tournevis à lame plate pour garantir un ajustement serré contre la tige de suspension.



- 3 Glissez le couvercle de l'étrier, l'anneau de garniture et l'auvent sur la tige de suspension. (Fig.7)
- 4 Faites glisser la boule de suspension sur la tige de suspension, insérez la goupille transversale dans la tige de suspension et serrez. Serrez la vis de réglage.

NOTE:

Le ventilateur dispose de 6 pieds de fil de connexion au cas où vous utiliseriez une longue tige de suspension d'extension.

- 5 Soulevez la boule/la tige de suspension/le ventilateur dans l'ouverture du support de suspension.
REMARQUE : La languette opposée à l'ouverture du support de suspension doit s'insérer dans la fente de la boule. (Fig. 8)

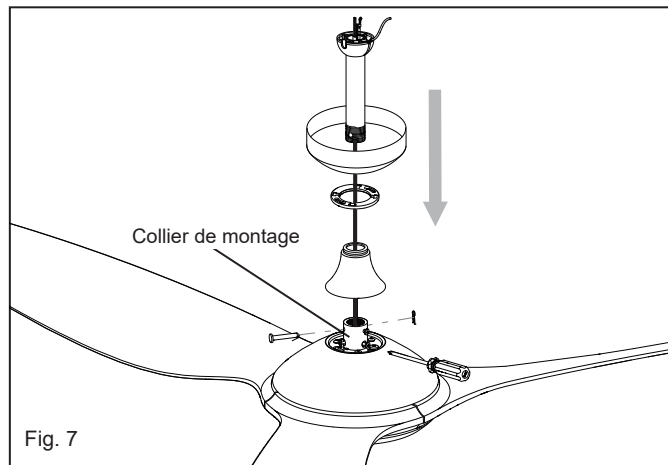


Fig. 7

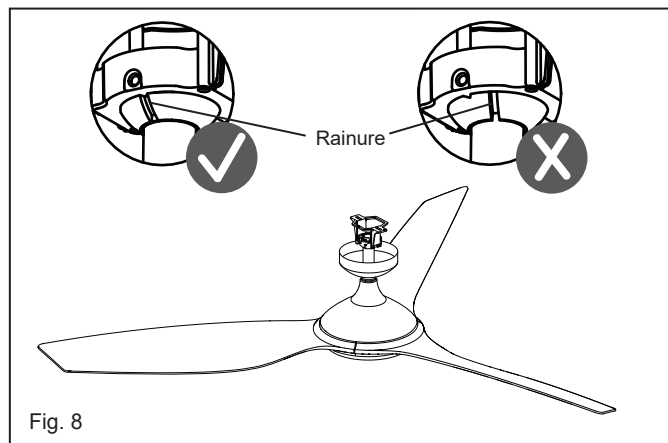


Fig. 8

INSTALLATION DU SUPPORT DE CÂBLE DE SÉCURITÉ

Fixez la vis à bois, la rondelle élastique et la rondelle plate à la solive du plafond comme illustré (ne serrez pas complètement). Enroulez le câble de sécurité autour de la vis à bois qui vient d'être fixée à la solive du plafond. Serrez la vis à bois sur la solive du plafond. Coupez l'excédent de câble. (Fig. 9)

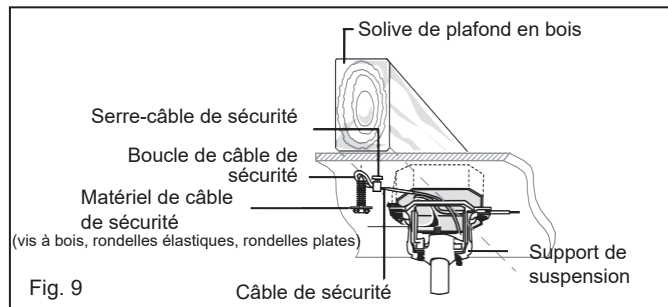


Fig. 9

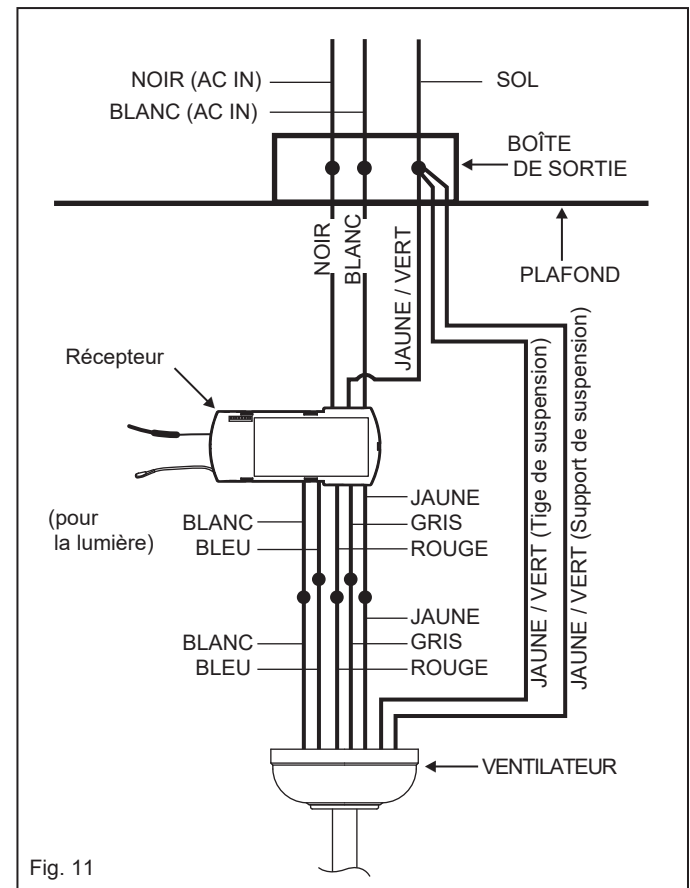
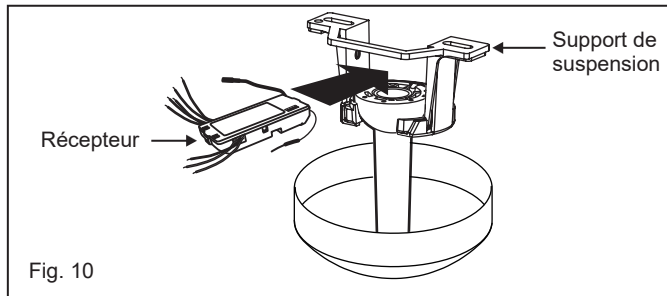
CONNEXIONS ELECTRIQUES

N'OUBLIEZ PAS - Coupez l'alimentation ! **REMARQUE** - La commande doit être installée à moins de 30 pieds du ventilateur.

AVERTISSEMENTS : Vérifiez que toutes les connexions sont bien serrées, y compris la terre, et qu'aucun fil dénudé n'est visible au **niveau des serre-fils**, à l'**exception du fil de terre**.

ATTENTION : Pour réduire le risque de choc électrique, ce ventilateur doit être installé avec une commande/interrupteur mural isolant. La désactivation de l'interrupteur mural d'isolement peut annuler toute commande intelligente ou de fonctionnement à distance.

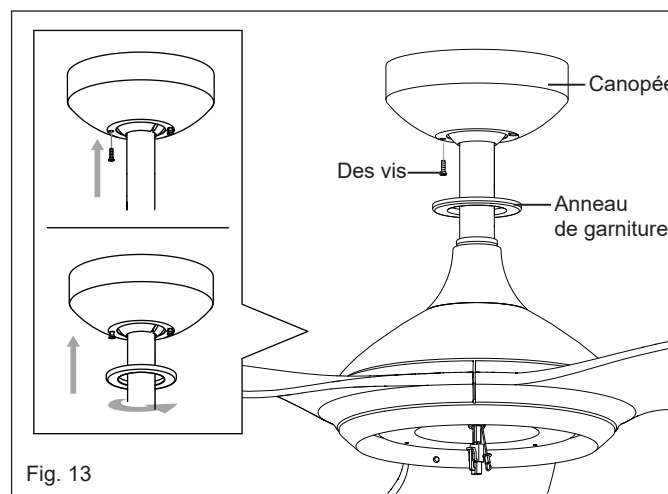
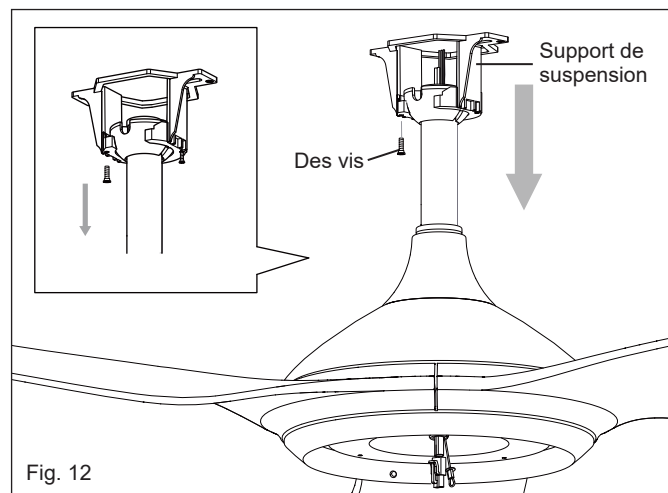
1. Insérez le contrôleur dans le support de montage au plafond avec le côté plat du contrôleur face au plafond. (Fig. 10) Pour de meilleures performances, assurez-vous que l'antenne noire et l'antenne WIFI, à l'extrémité du contrôleur, restent étendues et ne sont pas emmêlées avec aucun des fils électriques.
2. Effectuez les connexions filaires du ventilateur à l'unité de contrôle. Pour cette étape, utilisez le faisceau de 5 fils sur le contrôleur. (Fig.11)
Connectez le fil GRIS du ventilateur au fil GRIS du récepteur.
Connectez le fil JAUNE au fil JAUNE du récepteur.
Connectez le fil conducteur du kit d'éclairage BLANC du ventilateur au fil conducteur BLANC du récepteur marqué « Pour la lumière ».
Connectez le fil conducteur du kit d'éclairage BLEU du ventilateur au fil conducteur BLEU du récepteur marqué « Pour la lumière ».
Les couleurs des fils du ventilateur sont bleu/blanc pour le kit d'éclairage. Les fils du kit d'éclairage du contrôleur/récepteur sont bleus/blancs.
3. Connectez le câblage du plafond au récepteur. (Utilisez le faisceau de 2 fils sur le récepteur.) Fixez avec les serre-fils fournis.
Connectez le fil NOIR d'alimentation du bâtiment au fil NOIR du récepteur.
Connectez le fil neutre BLANC du récepteur au fil neutre BLANC du bâtiment.
Connectez le fil de terre du bâtiment en CUIVRE aux 3 fils de terre JAUNE/VERT du ventilateur et du récepteur.



INSTALLATION D'UN AUVENT DE PLAFOND

- 1 Rentez soigneusement les connexions dans la boîte de sortie au plafond.
- 2 Retirez une vis du support et desserrez l'autre vis du support. (Fig.12)
- 3 Faites glisser l'auvent jusqu'au support de suspension et placez le trou de serrure sur la vis du support de montage, tournez l'auvent jusqu'à ce qu'il se verrouille en place au niveau de la section étroite des trous de serrure. Alignez le trou circulaire de l'auvent avec le trou restant sur le support de montage, fixez-le en serrant les deux vis de réglage. Alignez l'extrémité intérieure la plus grande du trou en serrure de l'anneau de garniture sur la vis du pavillon et faites-la glisser dans le sens inverse des aiguilles d'une montre pour serrer l'anneau de garniture. (Fig.13)

REMARQUE : Ajustez les vis du pavillon si nécessaire jusqu'à ce que le pavillon et l'anneau de garniture soient bien ajustés.



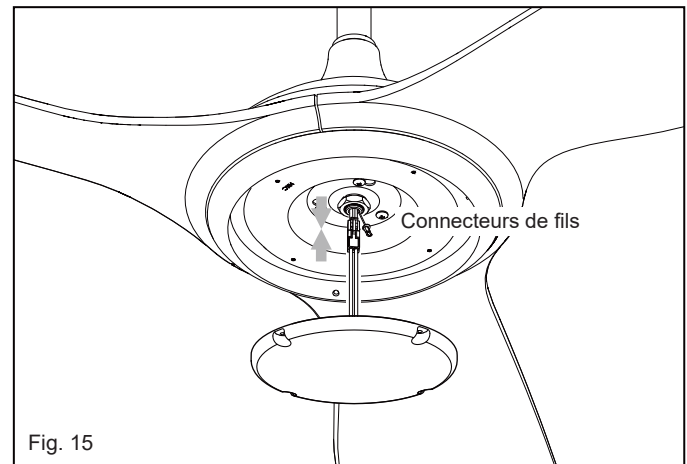
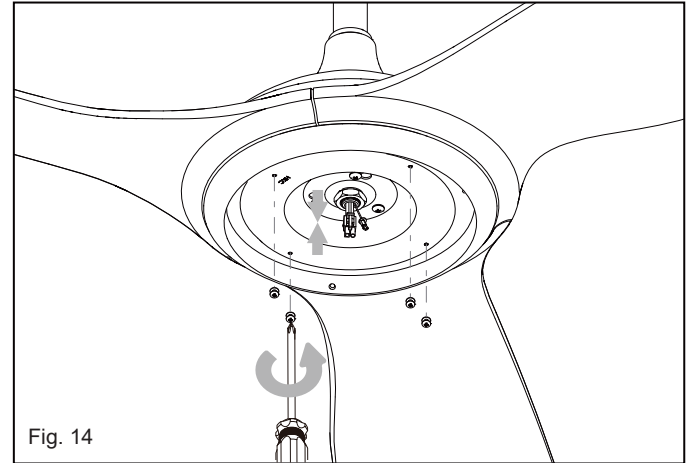
AVERTISSEMENT:

Assurez-vous que le crochet du support de suspension est correctement placé dans la rainure de la boule de suspension avant de fixer l'auvent au support en tournant le boîtier jusqu'à ce qu'il se mette en place.

INSTALLATION DE L'ENSEMBLE DE LED ET DU SHADE PC

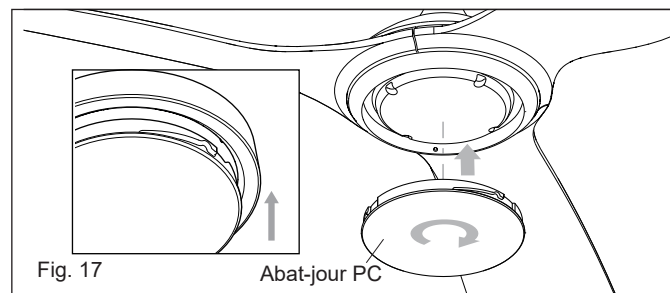
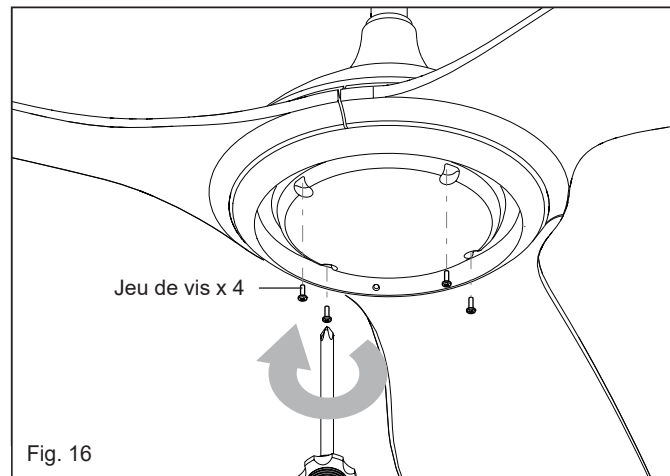
REMARQUE : assurez-vous que l'alimentation est coupée avant l'installation.

- 1 Retirez les quatre vis préinstallées sur la plaque d'éclairage. (Fig.14)
- 2 Tout en maintenant l'ensemble LED sous votre ventilateur, effectuez les connexions à fiches polarisées : (Fig. 15)
 - Du blanc au blanc
 - Du bleu au bleu



- 3 Alignez les trous de vis de l'ensemble LED avec les trous de vis de la plaque d'éclairage. Serrez les quatre vis. (Fig. 16)
- 4 Soulevez le pare-soleil du PC contre l'ensemble LED et tournez-le dans le sens inverse des aiguilles d'une montre jusqu'à ce qu'il soit bien ajusté. (Fig.17)
NE PAS TROP SERRER
- 5 Rétablissez le courant et votre ensemble LED est prêt à fonctionner.

REMARQUE : Le couvercle décoratif inclus avec votre ventilateur est une option pour remplacer l'ensemble LED de la lumière dans le cas où vous préférez ne pas utiliser la fonction d'éclairage de votre ventilateur. Le cache décoratif n'est pas nécessaire pour le fonctionnement de l'éclairage. Il peut être sauvegardé pour une utilisation ultérieure si vous le souhaitez.

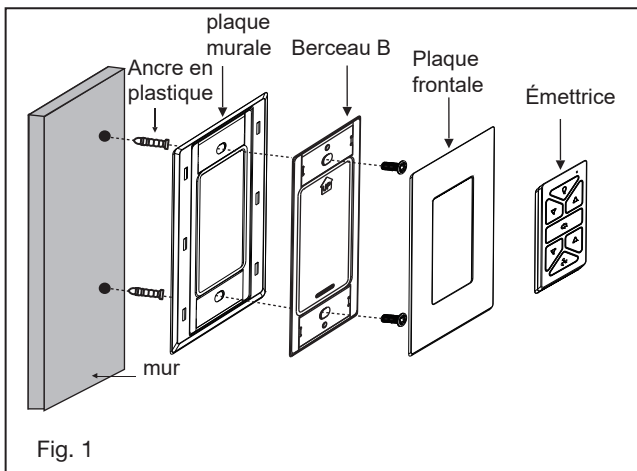


INSTALLATION DE LA COMMANDE MURALE

N'OUBLIEZ PAS de couper l'alimentation avant de commencer.
REMARQUE - Se fixe à n'importe quelle surface ou application : mur plat, boîte simple, boîte multi.

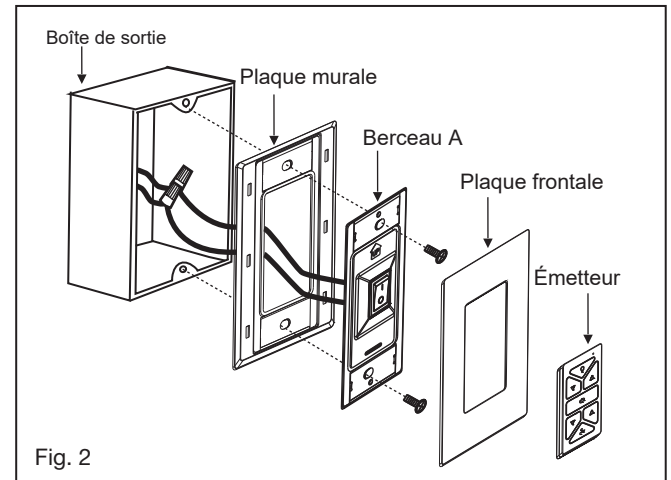
Option 1. Installation sur une surface plane

- 1 Sélectionnez un emplacement souhaité. Utilisez la plaque murale pour marquer l'emplacement des trous de montage. Des chevilles murales en plastique ou des vis de montage sont nécessaires pour cette application. (Fig. 1)
- 2 Placez le berceau B dans la plaque murale. Fixez la plaque murale au mur à l'aide de la quincaillerie fournie.
- 3 Enclenchez le couvercle de la plaque frontale sur le support mural.
- 4 L'émetteur à distance sera maintenu en place avec intégré m



Option 2. Pour une seule boîte de gang

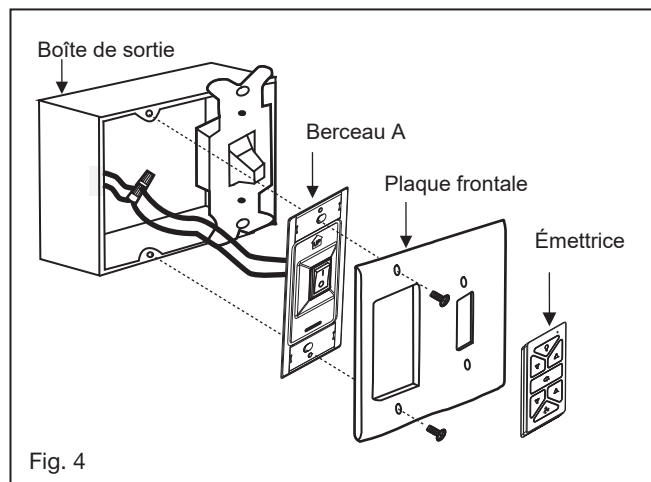
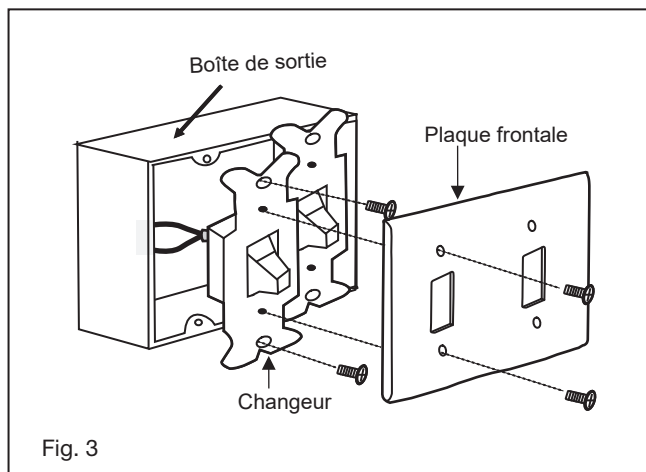
- 1 Retirez la plaque murale existante et l'ancien interrupteur de la boîte de prise murale.
- 2 Placez le berceau A dans la plaque murale. (Fig. 2)
- 3 Connectez les fils noirs du commutateur dans le berceau A aux fils noirs dans le boîtier de commutation. Fil d'entrée chaud vers l'un des fils du commutateur du berceau A. Le fil d'alimentation du ventilateur est connecté au fil de l'interrupteur restant.
- 4 Connectez l'ensemble plaque murale / berceau A à la boîte de sortie murale à l'aide du matériel fourni.
- 5 Enclenchez le couvercle de la plaque frontale sur le support mural.
- 6 L'émetteur à distance sera maintenu en place avec des aimants intégrés



HIRO Système de contrôle HIRO

Option 3. Installation d'un boîtier d'interrupteur mural multi-groupes

- 1 Retirez la plaque murale existante et l'ancien interrupteur de la boîte de prise murale. (Fig. 3)
- 2 Connectez les fils noirs du commutateur dans le berceau A aux fils noirs dans le boîtier de commutation. Fil d'entrée chaud vers l'un des fils du commutateur du socle. Le fil d'alimentation du ventilateur est connecté au fil de l'interrupteur restant. (Fig. 4)
- 3 Fixez le berceau A au boîtier d'interrupteur mural à l'aide du matériel fourni.
- 4 Fixez la plaque frontale multi-gang à l'interrupteur situé dans la boîte de prise murale. Le berceau A de l'interrupteur Hinkley s'adaptera à n'importe quelle plaque frontale decora standard.
- 5 L'émetteur à distance sera maintenu en place avec des aimants intégrés.



HIRO Système de contrôle HIRO

OPÉRATION


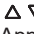



Votre moteur DC sans balais est équipé d'une télécommande de type à apprentissage automatique. Il n'y a pas de commutateurs de fréquence sur le récepteur ou l'émetteur. Le ventilateur peut commencer à fonctionner une fois le processus d'appairage terminé.

Retirez le panneau de l'émetteur, puis installez une pile 2032 (incluse). Vous devez utiliser une pièce de monnaie pour ouvrir ou fermer le couvercle de la batterie. Pour éviter d'endommager l'émetteur, retirez la batterie s'il n'est pas utilisé pendant de longues périodes (Fig. 1).

AVERTISSEMENT : Risque de brûlure chimique. Gardez les piles hors de portée des enfants.

Ce produit contient une pile bouton/bouton au lithium. Si une pile bouton/bouton au lithium neuve ou usagée est avalée ou pénètre dans le corps, elle peut provoquer de graves brûlures internes et entraîner la mort en seulement 2 heures. Sécurisez toujours complètement le compartiment à piles. Si le compartiment des piles ne se ferme pas correctement, arrêtez d'utiliser le produit, retirez les piles et gardez-le hors de portée des enfants. Si vous pensez que des piles ont pu être avalées ou placées dans une partie quelconque du corps, consultez immédiatement un médecin.


Les piles doivent être éliminées de manière appropriée, notamment en les gardant hors de portée des enfants ; Même les cellules utilisées peuvent causer des blessures.

- 1  bouton:
Appuyez et relâchez ce bouton pour allumer/éteindre la lumière.
- 2  bouton:
Appuyez sur ces boutons pour atténuer ou éclaircir les lumières au niveau souhaité et relâchez.
- 3  bouton:
Appuyez sur ce bouton pour régler la direction du vent du ventilateur vers le haut ou vers le bas.
- 4  bouton:
Appuyez sur ces boutons pour augmenter/diminuer la vitesse du ventilateur entre les vitesses 1 et 6.
- 5  bouton:
Appuyez et relâchez ce bouton pour allumer/éteindre le ventilateur.
- 6 Feu de signalisation (Fig. 2)

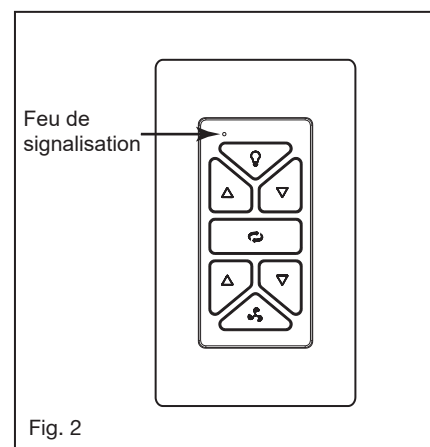
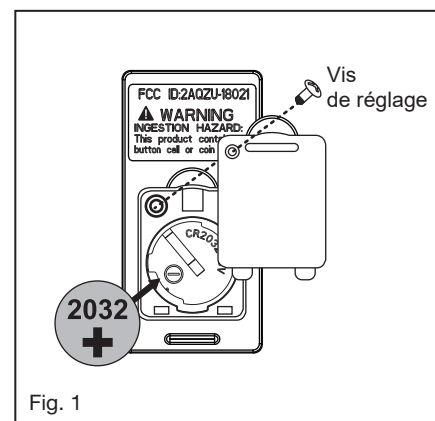
Processus de couplage

EMARQUE : Si vous installez/apparez plus d'un ventilateur dans une zone, l'alimentation doit être débranchée de tous les ventilateurs, à l'exception de celui en cours d'appairage.

REMARQUE : Le ventilateur doit être entièrement installé avec les pales avant d'appairer les commandes.

Le ventilateur étant éteint, rétablissez l'alimentation du ventilateur. Appuyez et maintenez le bouton «» pendant environ 5 secondes et relâchez. Si un kit d'éclairage en option est installé, le kit d'éclairage clignotera trois fois et le moteur tournera pendant 10 secondes à basse vitesse. Le ventilateur a terminé le processus de couplage avec la commande murale et est prêt à être utilisé.

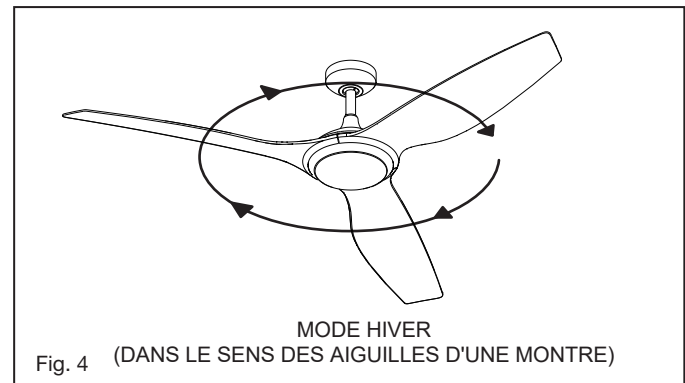
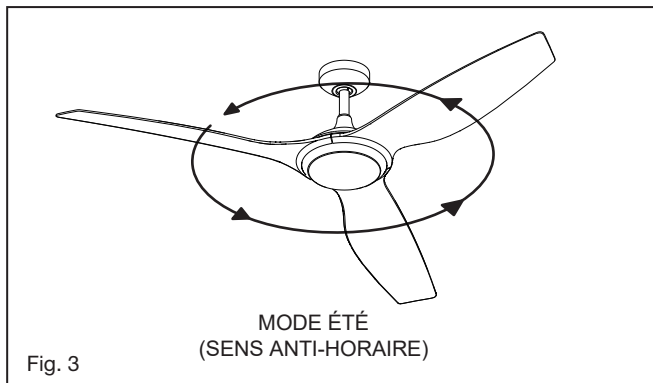
REMARQUE : Un seul ventilateur peut être contrôlé avec jusqu'à 3 commandes murales dans une pièce. Chaque commande devra répéter le processus de couplage en fonction des instructions ci-dessus et toutes les commandes doivent se trouver à moins de 30 pieds du ventilateur.



HIRO Système de contrôle HIRO

Fonctionnement en mode été et en mode hiver

- 7 **IMPORTANT** : Pour éviter tout dommage ou blessure, assurez-vous que le ventilateur est éteint et que les pales ont complètement arrêté de bouger avant d'essayer de changer le sens de rotation.
- 8 Mode été (avant) :
Un flux d'air VERS LE BAS crée un effet de refroidissement comme le montre la figure 3. Cela vous permet de régler votre climatiseur sur un réglage plus chaud sans affecter votre confort.
- 9 Mode hiver (inverse) :
Un flux d'air VERS LE HAUT déplace l'air plus chaud hors de la zone du plafond, comme le montre la figure 4. Cela vous permet de régler votre unité de chauffage sur un réglage plus frais sans affecter votre confort.



ENTRETIEN ET NETTOYAGE

Périodiquement, il peut être nécessaire de resserrer les vis de la lame sur le bras de lame ou sur les vis du bras de lame sur le moteur pour éviter un clic ou un bourdonnement pendant le fonctionnement. Cela est particulièrement vrai dans les climats caractérisés par de larges plages de température et d'humidité.

Lorsque vous dépoussiérez les lames, vous devez soutenir la lame pour éviter de la plier – aucune pression ne doit être appliquée sur les lames. Si vous rencontrez des défauts dans le fonctionnement de votre ventilateur, veuillez vérifier les points suivants.

DÉPANNAGE

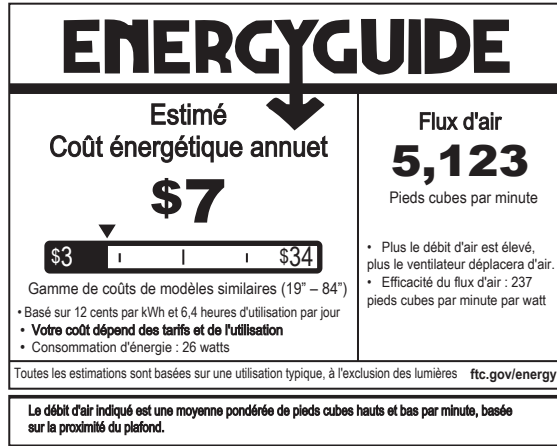
PRUDENCE:

Coupez l'alimentation électrique avant d'effectuer l'une de ces vérifications.

| PROBLÈME | SOLUTION |
|-------------------------------|---|
| LE VENTILATEUR NE DÉMARRE PAS | <ol style="list-style-type: none">1. Vérifiez que des piles neuves sont installées dans la télécommande ou la commande murale. Vérifiez les fusibles ou les disjoncteurs du circuit.2. Vérifiez le voyant LED de la commande murale. Si la LED ne s'allume pas lorsque vous appuyez sur un bouton, elle ne transmet pas de signal. Veuillez vérifier la batterie, l'alimentation de la commande murale/du disjoncteur et toutes les connexions électriques.3. Assurez-vous qu'il n'y a pas plus de 12 ventilateurs fonctionnant sur un circuit via un interrupteur mural marche/arrêt ou un disjoncteur (pas via une commande murale).4. Assurez-vous que le ventilateur est à portée du WiFi (150 pieds) ou de la commande murale (30 pieds). |
| LE VENTILATEUR SEMBLE BRUYANT | <ol style="list-style-type: none">1. Prévoyez une période de « rodage » de 24 heures. La plupart des bruits associés à un nouveau ventilateur disparaîtront pendant cette période.2. Assurez-vous que toutes les vis du boîtier du moteur sont solidement serrées.3. Assurez-vous que les vis qui fixent la pale du ventilateur au ventilateur sont bien serrées.4. Assurez-vous que votre boîtier de plafond est sécurisé et que des coussinets isolants en caoutchouc sont utilisés entre le support de montage et la boîte de sortie. |
| LE VENTILATEURS VACILLENT | <ol style="list-style-type: none">1. Vérifiez que toutes les vis de la lame sur le moteur et sur le bras de la lame sont bien fixées.2. Si l'oscillation de la lame est toujours perceptible, l'échange de deux lames adjacentes (côte à côte) peut redistribuer le poids et éventuellement entraîner un fonctionnement plus fluide.3. Assurez-vous que la plaque de montage est solidement fixée au boîtier de sortie au plafond.4. Assurez-vous que le boîtier de plafond est sécurisé. |

GUIDE ÉNERGIE

PERFORMANCES MOYENNES ET INFORMATIONS ÉNERGÉTIQUES



CARACTÉRISTIQUES

| SPÉCIFICATIONS DE PERFORMANCES | STANDARD | |
|-----------------------------------|----------------|----------------|
| | GRANDE VITESSE | FAIBLE VITESSE |
| Débit d'air (CFM) | 7311 | 2644 |
| Consommation d'énergie (Watts) | 39.4 | 3.9 |
| Efficacité du débit d'air (CFM/W) | 186 | 678 |
| Coûts énergétiques (annuels) | \$11 | \$1 |
| Ampères | 0.49 | 0.08 |
| RPM | 140 | 51 |

TÉLÉCHARGEMENT DE L'APPLICATION HINKLEY

INSTRUCTIONS DE L'APPLICATION HINKLEY :

En plus de la commande murale incluse, vous pouvez contrôler votre ventilateur Hinkley via l'application Hinkley.

- Pour utiliser **l'application Hinkley**, téléchargez-la gratuitement depuis l'App Store ou Google Play.
- Ouvrez **l'application Hinkley** où vous serez invité à créer un compte.
- Entrez toutes les informations nécessaires pour créer un compte.
- Une fois le compte créé, vous recevrez un e-mail de code de vérification pour terminer la configuration de **l'application Hinkley** (Vérifiez le dossier spam si l'e-mail n'est pas reçu.)
- Confirmez que Bluetooth est activé pour permettre au ventilateur et à **l'application Hinkley** de se connecter les uns aux autres.
- Cliquez sur Ajouter un appareil sur l'écran d'accueil et sélectionnez le ventilateur souhaité.
- **L'application Hinkley** vous demandera ensuite de saisir le nom et le mot de passe WiFi.
- Cliquez sur Terminé sur l'application Hinkley pour terminer la connexion du ventilateur.
- **L'application Hinkley** aura des options sur l'écran principal pour les vitesses des ventilateurs, la gradation et le réglage des minuteries.
- Scannez le code QR ci-dessous pour plus d'informations sur le fonctionnement **de l'application Hinkley**.



NUMÉRISER POUR PLUS DE DÉTAILS

MERCI

POUR L'ACHAT DE VOTRE NOUVEAU VENTILATEUR HINKLEY

NOUS SOUTIENNONS CHAQUE LUMINAIRE QUE NOUS FABRIQUONS. CE VENTILATEUR DEVRAIT VOUS OFFRIR DE NOMBREUSES ANNÉES DE PLAISIR. DANS LE CAS PEU PROBABLE VOUS AVEZ UN PROBLÈME, NOUS SOMMES LÀ POUR VOUS AIDER À LE RÉSOLOU.

VEUILLEZ APPELER LE 1(800)446-5539, VISITEZ [HINKLEY.COM/FAN](https://www.hinkley.com/fan) OU ENVOYEZ UN EMAIL À [CUSTOMERCARE@HINKLEY.COM](mailto:customercare@hinkley.com) AVANT DE RETOURNER AU REVENDEUR.



NUMÉRISEZ LE CODE QR POUR UNE ASSISTANCE SUPPLÉMENTAIRE ET DES GUIDES DE CONFIGURATION DÉTAILLÉS

HINKLEY

HINKLEY EST FIER DE VOUS PROPOSER DES PRODUITS DE VENTILATEUR DE PLAFOND QUI AMÉLIORENT VOTRE ESPACE AVEC CONFORT, OBJECTIF ET STYLE. EN TANT QUE ENTREPRISE FAMILIALE, NOUS NOUS ENGAGEONS SUR LA CONCEPTION, LA PERFORMANCE ET LA QUALITÉ, ET CE QUI EST IMPORTANT POUR VOUS EST PRIMORDIAL POUR NOUS.

POUR UN ASSORTIMENT COMPLET DE NOS PRODUITS ET LIVRES SOURCES, VISITEZ [HINKLEY.COM](https://www.hinkley.com)

HINKLEY

GLOBAL HEADQUARTERS

33000 Pin Oak Parkway | Avon Lake, Ohio 44012

T (440) 653 5500 | F (440) 653 5555 | hinkley.com