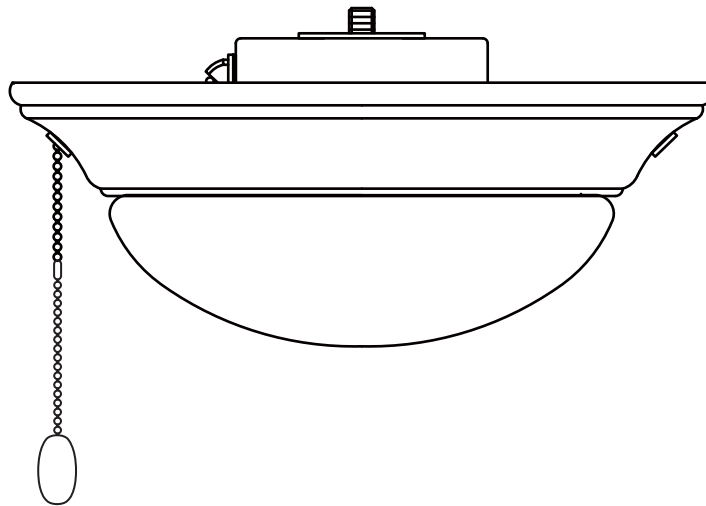


HINKLEY

930003

CEILING FAN LED LIGHT KIT



WET



LED



LISTED

---

LIGHT KIT INSTRUCTION MANUAL

## SAFETY RULES

### "CAUTION-RISK OF FIRE"

CONSULT A QUALIFIED ELECTRICIAN TO ENSURE CORRECT BRANCH CIRCUIT CONDUCTOR.

### WARNING! RISK OF ELECTRIC SHOCK

All electrical connections must be made in accordance with local codes, ordinances, or national codes. If you are unfamiliar with installing electrical wiring, secure the services of a qualified electrician. Before starting this installation, disconnect the power by turning off the circuit breaker at your main panel or removing the fuse at the fuse block. Turning the power off using the ceiling fan switch (speed control on/off) is not sufficient to prevent electrical shock.

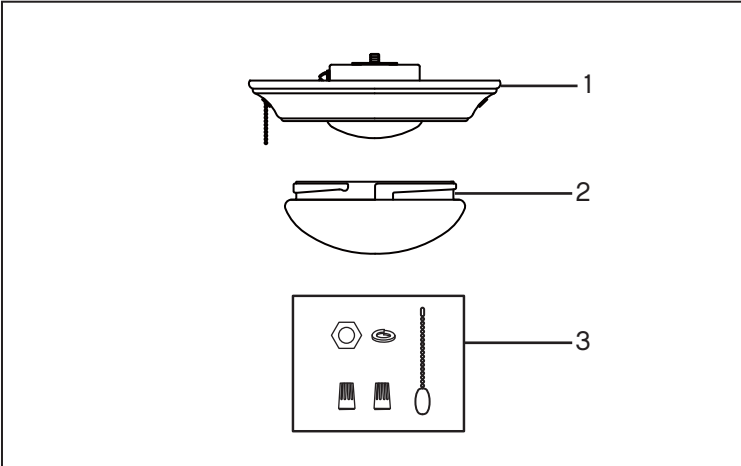
**NOTE:** The important safeguards and instructions appearing in this manual are not meant to cover all possible conditions and situations that may occur. It must be understood that common sense, caution and care are factors which cannot be built into any product. These factors must be supplied by the person (s) caring for and operating the unit.

## UNPACKING YOUR LIGHT KIT

### UNPACK YOUR LIGHT KIT AND CHECK THE CONTENTS.

- Do not discard the carton. If warranty replacement or repair is ever necessary, the fan should be returned in original packing. Remove all parts and hardware.
- Examine all parts. You should have the following:

PACKAGE CONTENTS	
1	16W LED light kit
2	Glass shade
3	Nut, Wire Nuts (2), Spring Washer Pull chain and fob



The diagram illustrates the components of the light kit. Item 1 is a ceiling-mounted light fixture with a glass shade. Item 2 is a separate glass shade. Item 3 is a hardware kit containing a hex nut, two wire nuts, a spring washer, a pull chain, and a fob.

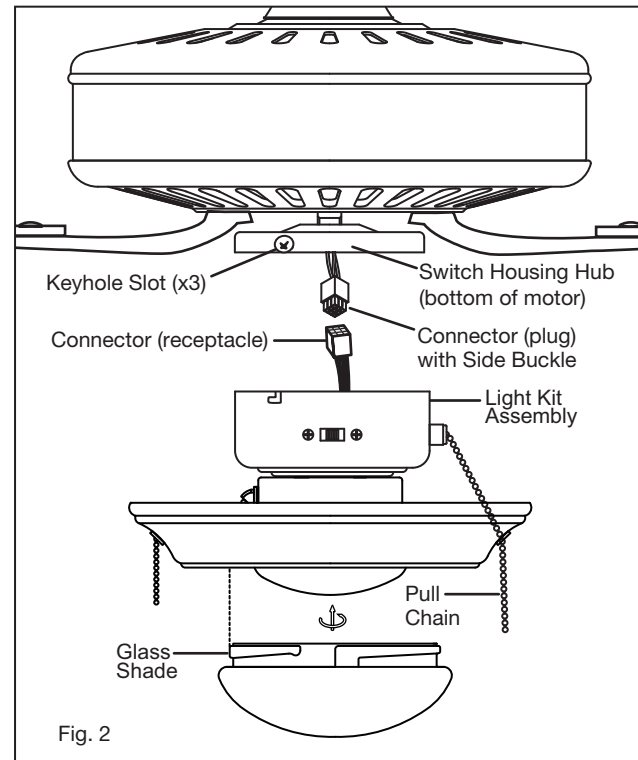
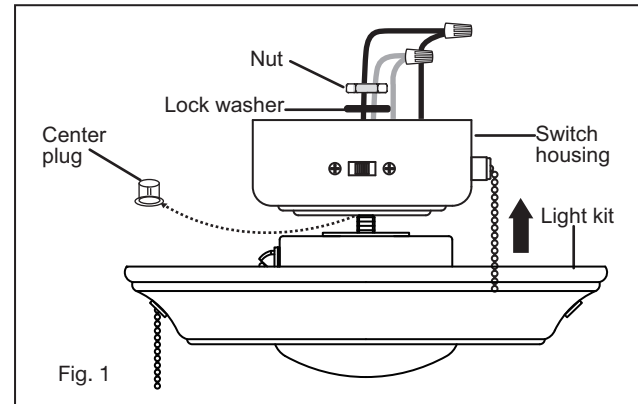
## INSTALLING THE LIGHT KIT

**WARNING:** Be sure electricity is turned off at the main power box before wiring.

- 1 Remove and discard the center plug from the switch housing. Attach the light kit to the switch housing by feeding the light fixture wires (black and white) through the hole in the center of the switch housing, then screw the light fixture stem onto the switch housing. (Fig. 1)
- 2 Thread the nut & lock washer onto the light fixture stem inside the switch housing making sure the light fixture is secure, preventing movement after installation. (Fig. 1)
- 3 Locate the white and blue wires inside the switch housing labeled FOR LIGHT.
- 4 Attach the wires from the light kit to the wires inside the switch housing by pushing the polarized connections together. (Fig. 1)
  - White wire to White wire
  - Black wire to Black (Blue) wire
- 5 Raise and hold the light kit assembly close to the switch housing hub of the ceiling fan. Push the square wire connectors together. (Fig. 2)

**NOTE:** The square connectors are color coded. Match the color coded sides of each plug and push. They will attach ONLY when matched correctly.

- 6 Carefully push all wires back into the switch housing, then install the light kit assembly onto the switch housing hub with 3 screws provided. Be sure to tighten all screws. (Fig. 2)
- 7 Raise glass shade up against the light kit assembly and secure it to fan by turning glass clockwise until snug. DO NOT OVERTIGHTEN. (Fig. 2)
- 8 Please use caution when removing glass – It may be stuck. To loosen glass, gently rotate glass back and forth. To remove glass, rotate counter-clockwise.



# HINKLEY

## **GLOBAL HEADQUARTERS**

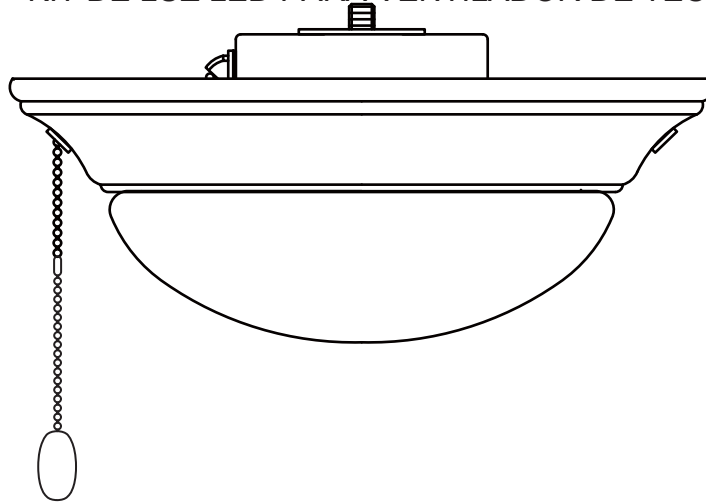
33000 Pin Oak Parkway | Avon Lake, Ohio 44012

T (440) 653 5500 | F (440) 653 5555 | [hinkley.com](http://hinkley.com)

HINKLEY

930003

KIT DE LUZ LED PARA VENTILADOR DE TECHO



WET



LED



LISTED

---

KIT DE LUZ MANUAL DE  
INSTRUCCIONES

## REGLAS DE SEGURIDAD

### "PRECAUCIÓN-RIESGO DE INCENDIO"

**CONSULTE A UN ELECTRICISTA CALIFICADO PARA ASEGURAR EL CONDUCTOR CORRECTO DEL CIRCUITO DE LA RAMA. ¡ADVERTENCIA! RIESGO DE SHOCK ELÉCTRICO**

Todas las conexiones eléctricas deben realizarse de acuerdo con los códigos locales, las ordenanzas o los códigos nacionales. Si no está familiarizado con la instalación del cableado eléctrico, asegure los servicios de un electricista calificado. Antes de comenzar esta instalación, desconecte la alimentación apagando el disyuntor en su panel principal o quitando el fusible en el bloque de fusibles. Apagar la corriente usando el interruptor del ventilador de techo (control de velocidad encendido / apagado) no es suficiente para evitar descargas eléctricas.

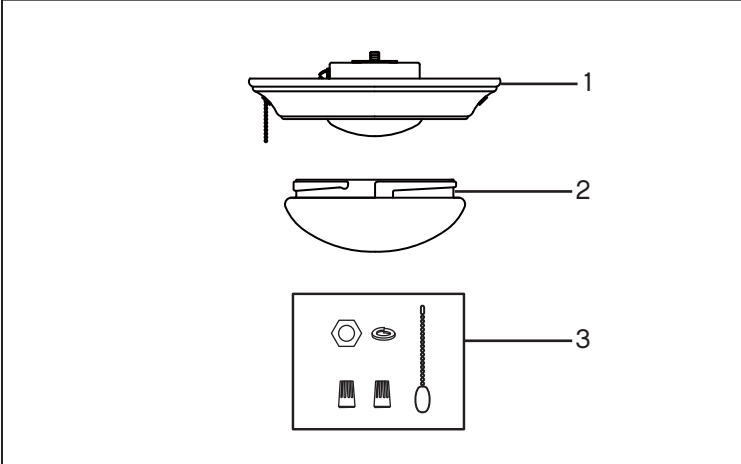
NOTA: Las salvaguardas e instrucciones importantes que aparecen en este manual no están destinadas a cubrir todas las condiciones y situaciones posibles que puedan ocurrir. Debe entenderse que el sentido común, la precaución y el cuidado son factores que no pueden integrarse en ningún producto. Estos factores deben ser proporcionados por las personas que cuidan y operan la unidad.

## DESEMBALAJE DE SU KIT DE LUZ

### DESEMBALA TU KIT DE LUZ Y COMPRUEBA EL CONTENIDO.

- No deseche la caja de cartón. Si alguna vez es necesario reemplazar o reparar la garantía, el ventilador debe devolverse en su embalaje original. Retire todas las piezas y hardware.
- Examinar todas las partes. Debe tener lo siguiente:

CONTENIDO DEL PAQUETE	
1	Kit de luz LED de 16 W
2	Pantalla de vidrio
3	Tuerca, Tuercas de Alambre (2), Arandela de Resorte Jalar la cadena y el mando















# HINKLEY

## **GLOBAL HEADQUARTERS**

33000 Pin Oak Parkway | Avon Lake, Ohio 44012

T (440) 653 5500 | F (440) 653 5555 | [hinkley.com](http://hinkley.com)