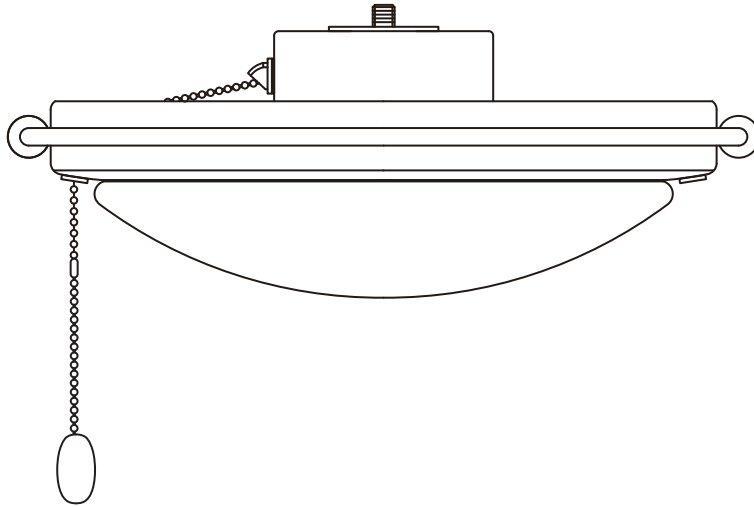


HINKLEY

930004

CEILING FAN LED LIGHT KIT



WET



LED



LISTED

LIGHT KIT INSTRUCTION MANUAL

SAFETY RULES

"CAUTION-RISK OF FIRE"

CONSULT A QUALIFIED ELECTRICIAN TO ENSURE CORRECT BRANCH CIRCUIT CONDUCTOR.

WARNING! RISK OF ELECTRIC SHOCK

All electrical connections must be made in accordance with local codes, ordinances, or national codes. If you are unfamiliar with installing electrical wiring, secure the services of a qualified electrician. Before starting this installation, disconnect the power by turning off the circuit breaker at your main panel or removing the fuse at the fuse block. Turning the power off using the ceiling fan switch (speed control on/off) is not sufficient to prevent electrical shock.

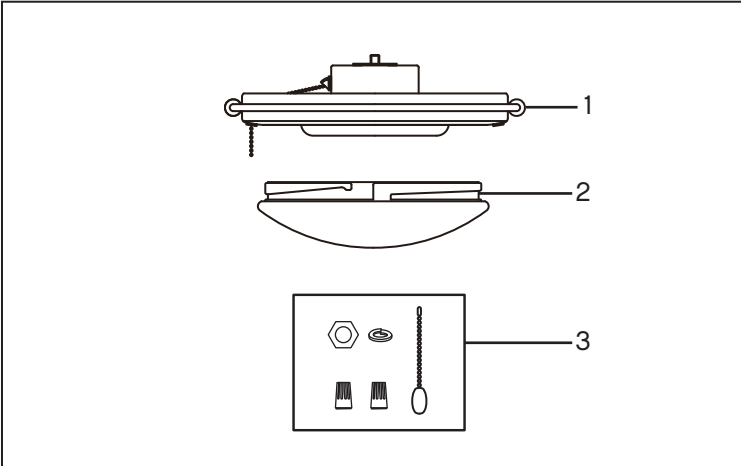
NOTE: The important safeguards and instructions appearing in this manual are not meant to cover all possible conditions and situations that may occur. It must be understood that common sense, caution and care are factors which cannot be built into any product. These factors must be supplied by the person (s) caring for and operating the unit.

UNPACKING YOUR LIGHT KIT

UNPACK YOUR LIGHT KIT AND CHECK THE CONTENTS.

- Do not discard the carton. If warranty replacement or repair is ever necessary, the fan should be returned in original packing. Remove all parts and hardware.
- Examine all parts. You should have the following:

PACKAGE CONTENTS	
1	24W LED light kit
2	Glass shade
3	Nut, Wire Nuts (2), Spring Washer Pull chain and fob



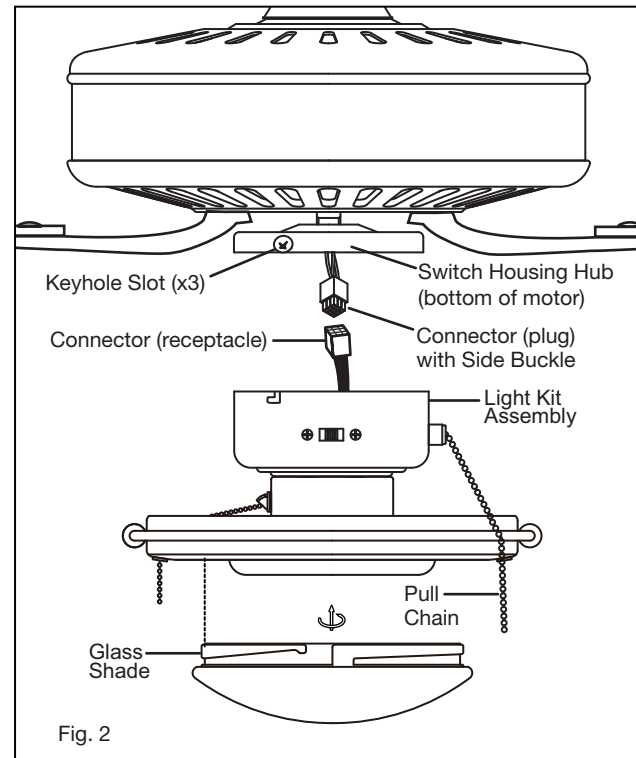
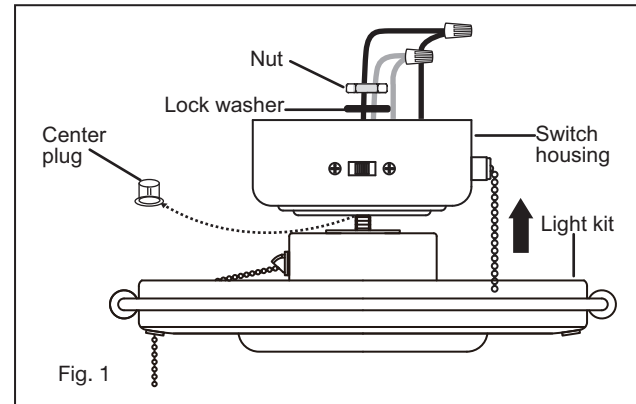
INSTALLING THE LIGHT KIT

WARNING: Be sure electricity is turned off at the main power box before wiring.

- 1 Remove and discard the center plug from the switch housing. Attach the light kit to the switch housing by feeding the light fixture wires (black and white) through the hole in the center of the switch housing, then screw the light fixture stem onto the switch housing. (Fig. 1)
- 2 Thread the nut & lock washer onto the light fixture stem inside the switch housing making sure the light fixture is secure, preventing movement after installation. (Fig. 1)
- 3 Locate the white and blue wires inside the switch housing labeled FOR LIGHT.
- 4 Attach the wires from the light kit to the wires inside the switch housing by pushing the polarized connections together. (Fig. 1)
 - White wire to White wire
 - Black wire to Black (Blue) wire
- 5 Raise and hold the light kit assembly close to the switch housing hub of the ceiling fan. Push the square wire connectors together. (Fig. 2)

NOTE: The square connectors are color coded. Match the color coded sides of each plug and push. They will attach ONLY when matched correctly.

- 6 Carefully push all wires back into the switch housing, then install the light kit assembly onto the switch housing hub with 3 screws provided. Be sure to tighten all screws. (Fig. 2)
- 7 Raise glass shade up against the light kit assembly and secure it to fan by turning glass clockwise until snug. DO NOT OVERTIGHTEN. (Fig. 2)
- 8 Please use caution when removing glass – it may be stuck. To loosen glass, gently rotate glass back and forth. To remove glass, rotate counter-clockwise.



HINKLEY

GLOBAL HEADQUARTERS

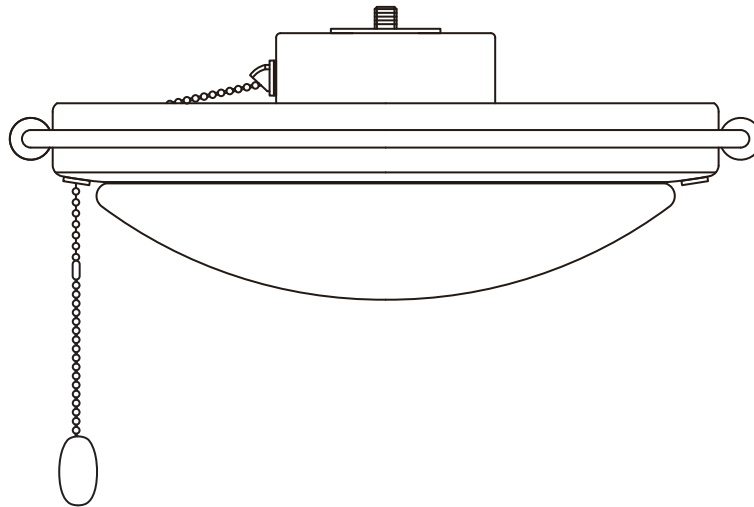
33000 Pin Oak Parkway | Avon Lake, Ohio 44012

T (440) 653 5500 | F (440) 653 5555 | hinkley.com

HINKLEY

930004

KIT DE LUZ LED PARA VENTILADOR DE TECHO



WET



LED



LISTED

KIT DE LUZ MANUAL DE
INSTRUCCIONES

HINKLEY

GLOBAL HEADQUARTERS

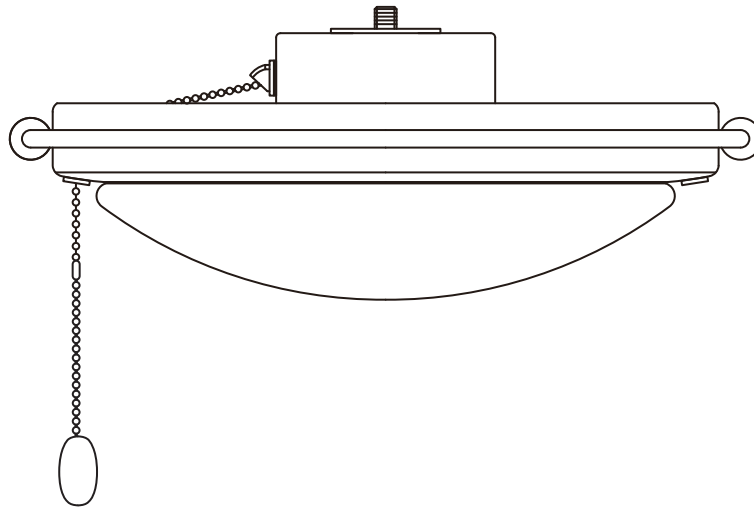
33000 Pin Oak Parkway | Avon Lake, Ohio 44012

T (440) 653 5500 | F (440) 653 5555 | hinkley.com

HINKLEY

930004

KIT D'ÉCLAIRAGE LED VENTILATEUR DE PLAFOND



WET



LED



LISTED

MANUEL D'INSTRUCTIONS DU KIT
D'ÉCLAIRAGE

LES RÈGLES DE SÉCURITÉ

"CAUTION-RISK OF FIRE"

**CONSULT A QUALIFIED ELECTRICIAN TO ENSURE CORRECT BRANCH CIRCUIT CONDUCTOR.
WARNING! RISK OF ELECTRIC SHOCK**

All electrical connections must be made in accordance with local codes, ordinances, or national codes. If you are unfamiliar with installing electrical wiring, secure the services of a qualified electrician. Before starting this installation, disconnect the power by turning off the circuit breaker at your main panel or removing the fuse at the fuse block. Turning the power off using the ceiling fan switch (speed control on/off) is not sufficient to prevent electrical shock.

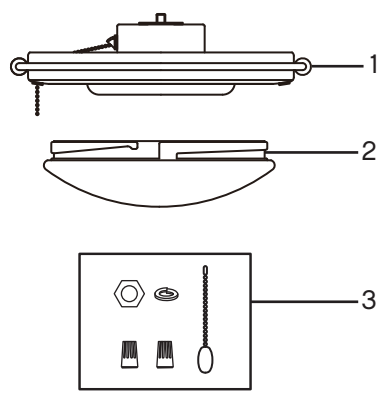
NOTE: The important safeguards and instructions appearing in this manual are not meant to cover all possible conditions and situations that may occur. It must be understood that common sense, caution and care are factors which cannot be built into any product. These factors must be supplied by the person (s) caring for and operating the unit.

UNPACKING YOUR LIGHT KIT

UNPACK YOUR LIGHT KIT AND CHECK THE CONTENTS.

- Do not discard the carton. If warranty replacement or repair is ever necessary, the fan should be returned in original packing. Remove all parts and hardware.
- Examine all parts. You should have the following:

PACKAGE CONTENTS	
1	24W LED light kit
2	Glass shade
3	Nut, Wire Nuts (2), Spring Washer Pull chain and fob



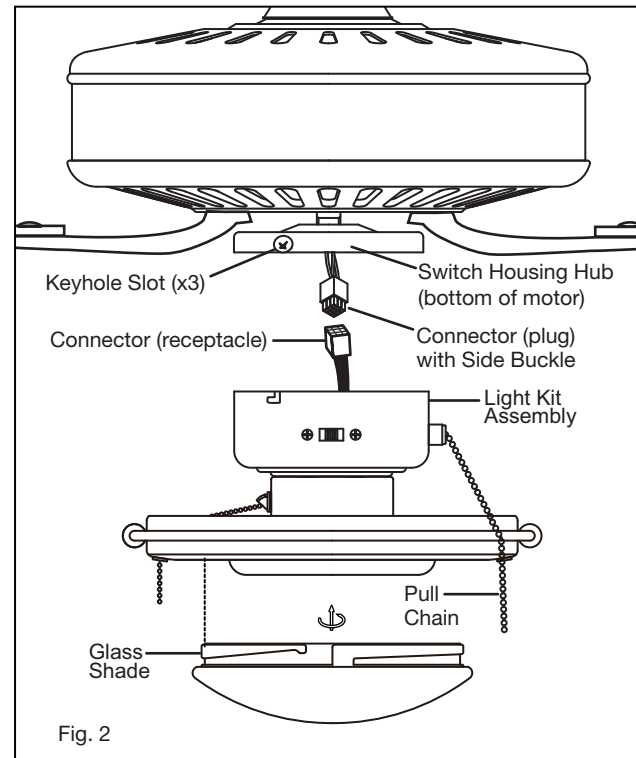
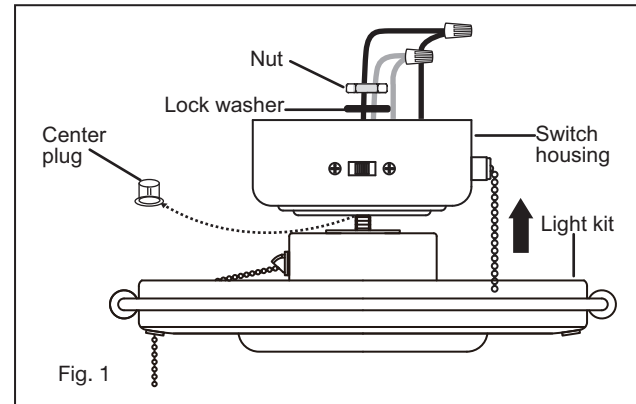
INSTALLING THE LIGHT KIT

WARNING: Be sure electricity is turned off at the main power box before wiring.

- 1 Remove and discard the center plug from the switch housing. Attach the light kit to the switch housing by feeding the light fixture wires (black and white) through the hole in the center of the switch housing, then screw the light fixture stem onto the switch housing. (Fig. 1)
- 2 Thread the nut & lock washer onto the light fixture stem inside the switch housing making sure the light fixture is secure, preventing movement after installation. (Fig. 1)
- 3 Locate the white and blue wires inside the switch housing labeled FOR LIGHT.
- 4 Attach the wires from the light kit to the wires inside the switch housing by pushing the polarized connections together. (Fig. 1)
 - White wire to White wire
 - Black wire to Black (Blue) wire
- 5 Raise and hold the light kit assembly close to the switch housing hub of the ceiling fan. Push the square wire connectors together. (Fig. 2)

NOTE: The square connectors are color coded. Match the color coded sides of each plug and push. They will attach ONLY when matched correctly.

- 6 Carefully push all wires back into the switch housing, then install the light kit assembly onto the switch housing hub with 3 screws provided. Be sure to tighten all screws. (Fig. 2)
- 7 Raise glass shade up against the light kit assembly and secure it to fan by turning glass clockwise until snug. DO NOT OVERTIGHTEN. (Fig. 2)
- 8 Please use caution when removing glass – it may be stuck. To loosen glass, gently rotate glass back and forth. To remove glass, rotate counter-clockwise.



HINKLEY

GLOBAL HEADQUARTERS

33000 Pin Oak Parkway | Avon Lake, Ohio 44012

T (440) 653 5500 | F (440) 653 5555 | hinkley.com