

**BE SURE TO FOLLOW ALL STEPS IN THE ORDER GIVEN.
BE SURE POWER IS OFF AT FUSE, OR CIRCUIT BREAKER BOX.**

WARNING: To avoid fire, shock and serious personal injury, follow these instructions:

- A. Read your owner's manual carefully, retain owner's manual for future reference.
- B. To avoid possible electrical shock, be sure electricity is turned off at the fuse box or circuit breaker panel before wiring.
- C. This switch is designed for ceiling fan only, to avoid overheating and possible damage to other equipment, do not install to control receptacle, fluorescent lighting fixture, motor-operated appliance, transformer-supplied appliance or near heat source.
- D. All wiring must conform to national and local electrical codes. If you feel you do not have enough electrical knowledge, have a licensed electrician install the control.
- E. Total amperage and/ or wattage for your fan should not exceed 120 Volts, 60 HZ, 1.25A (Max.)

1. Turn power OFF at fuse box or circuit breaker and remove the existing wall plate and switch, do not remove wires before noting their position. (Figure 1).
2. Make wire connections (Figure 2) and secure with wire nuts supplied.
 - Connect the black wire from the fan to black wire from the wall control.
 - Connect the blue wire from the fan to the blue wire from the wall control.
 - Connect the white (neutral) wire from the ceiling to the white wire from the fan.
 - Connect the black (hot) wire from the ceiling to the black/white wire from the wall control.
 - If your outlet box has a ground wire (green or bare copper) connect the wall control's ground wire to it; otherwise connect the wall control's ground wire directly to one of the screws from the outlet box.
3. Attach the control to the outlet (wall) box and secure with 2 outlet box screws (Figure 3).
4. Attach the wall plate over the wall control and secure with the two screws provided (Figure 3).

For Warranty Information please visit www.hinkley.com

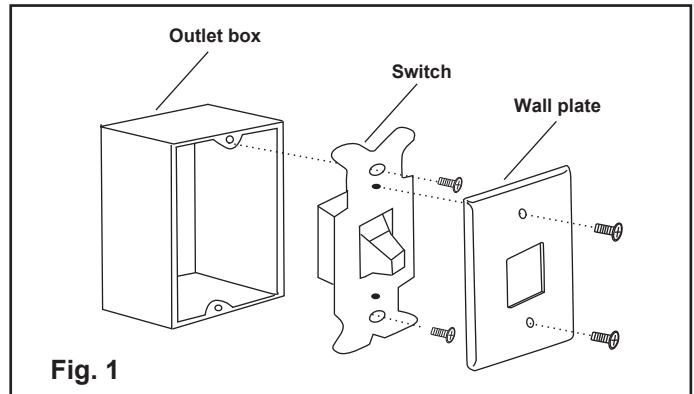


Fig. 1

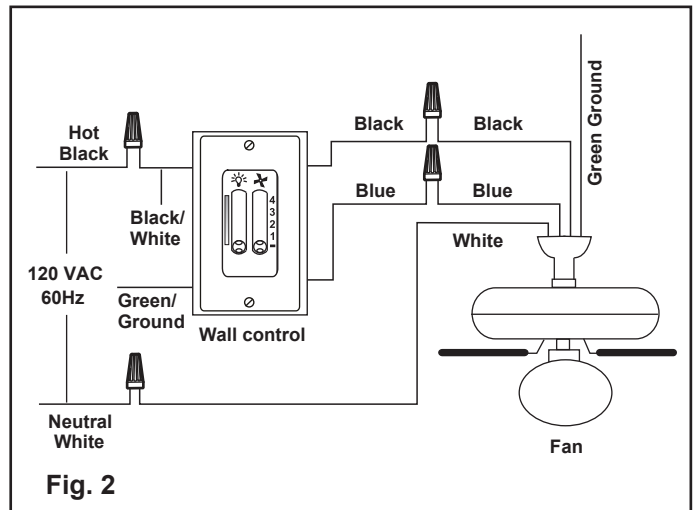


Fig. 2

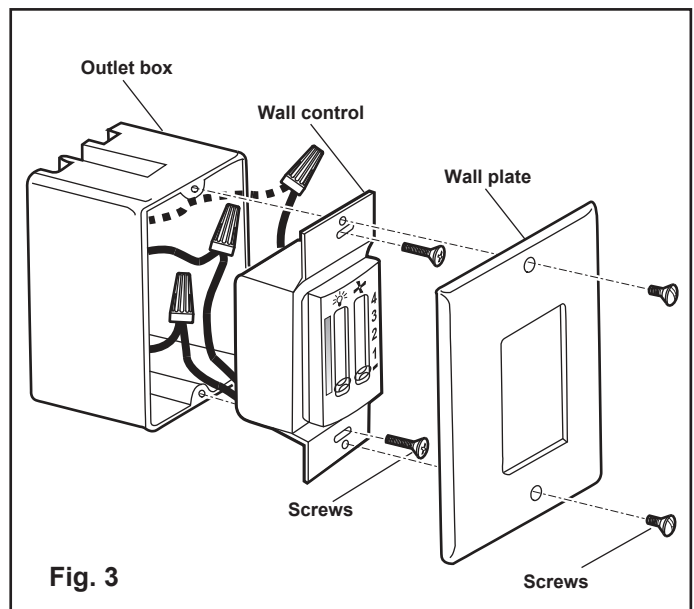


Fig. 3

HINKLEY

4 SPEED FAN & LIGHT WALL CONTROL INSTALLATION INSTRUCTIONS

Model: 980008

READ AND SAVE THESE INSTRUCTIONS

6668,226/2636261/21
6648/1631786,21/8
18328,8,2

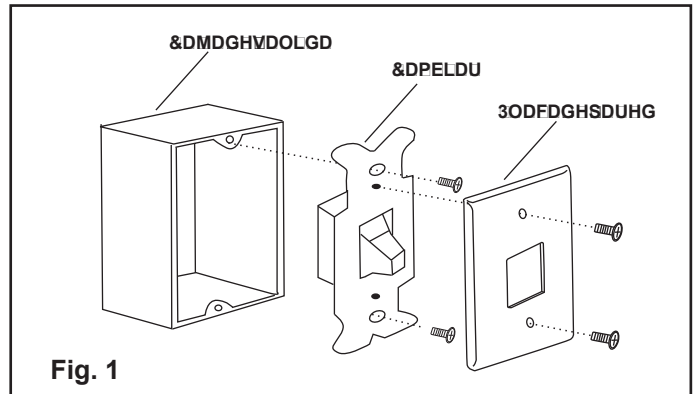


Fig. 1

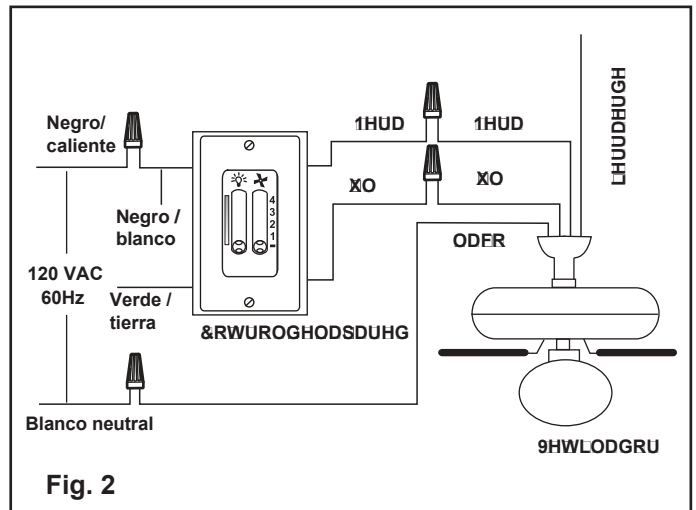


Fig. 2

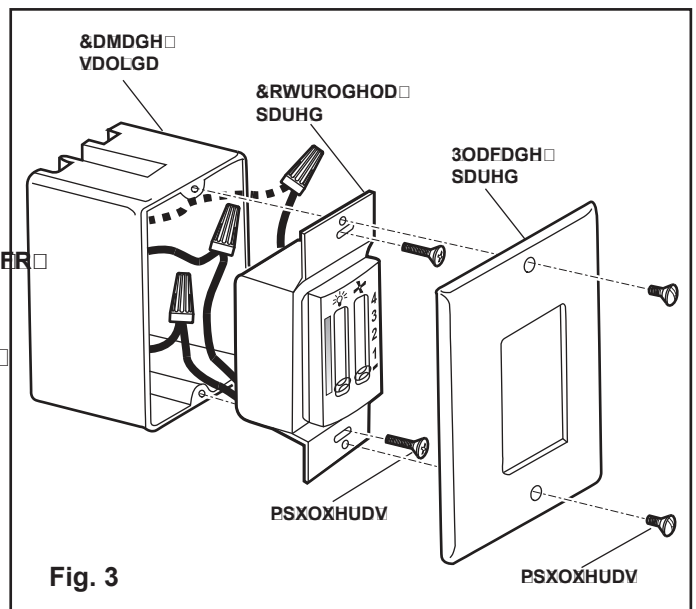


Fig. 3

LMHHERWURODODEDMDGHVDOLGDSUHGIMHORER
WRULOORVGHODEDMDGHVDOLGD
LMHODSODEFDGHSDUHGIMHORERWUROGHSDUHGIMHODER
ORVGRWRULOORVSURLVWRVLXUD

3DUDREWHHULIRUPDFLMREUHODDUDWtDLVLWH
KLNOHERP



**BE SURE TO FOLLOW ALL STEPS IN THE ORDER GIVEN.
BE SURE POWER IS OFF AT FUSE, OR CIRCUIT BREAKER BOX.**

WARNING: To avoid fire, shock and serious personal injury, follow these instructions:

- A. Read your owner's manual carefully, retain owner's manual for future reference.
- B. To avoid possible electrical shock, be sure electricity is turned off at the fuse box or circuit breaker panel before wiring.
- C. This switch is designed for ceiling fan only, to avoid overheating and possible damage to other equipment, do not install to control receptacle, fluorescent lighting fixture, motor-operated appliance, transformer-supplied appliance or near heat source.
- D. All wiring must conform to national and local electrical codes. If you feel you do not have enough electrical knowledge, have a licensed electrician install the control.
- E. Total amperage and/ or wattage for your fan should not exceed 120 Volts, 60 HZ, 1.25A (Max.)

1. Turn power OFF at fuse box or circuit breaker and remove the existing wall plate and switch, do not remove wires before noting their position. (Figure 1).
2. Make wire connections (Figure 2) and secure with wire nuts supplied.
 - Connect the black wire from the fan to black wire from the wall control.
 - Connect the blue wire from the fan to the blue wire from the wall control.
 - Connect the white (neutral) wire from the ceiling to the white wire from the fan.
 - Connect the black (hot) wire from the ceiling to the black/white wire from the wall control.
 - If your outlet box has a ground wire (green or bare copper) connect the wall control's ground wire to it; otherwise connect the wall control's ground wire directly to one of the screws from the outlet box.
3. Attach the control to the outlet (wall) box and secure with 2 outlet box screws (Figure 3).
4. Attach the wall plate over the wall control and secure with the two screws provided (Figure 3).

For Warranty Information please visit www.hinkley.com

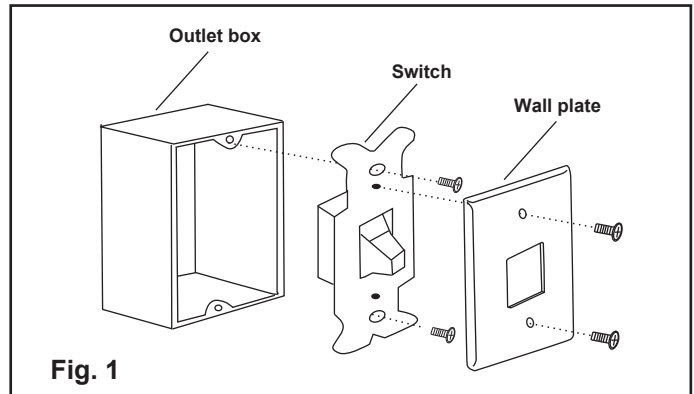


Fig. 1

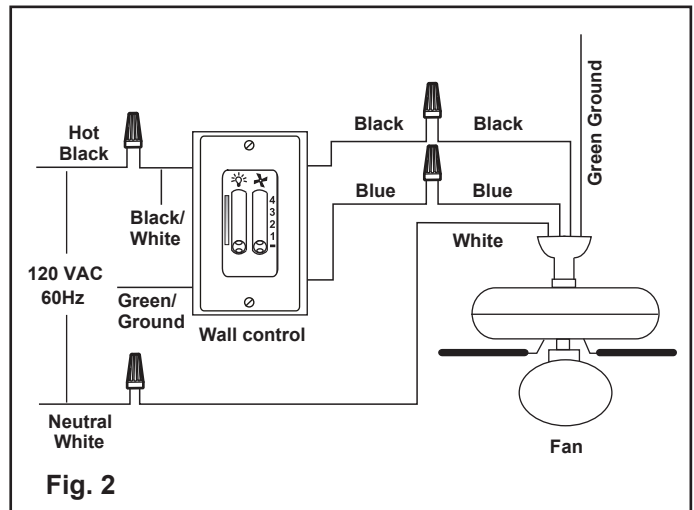


Fig. 2

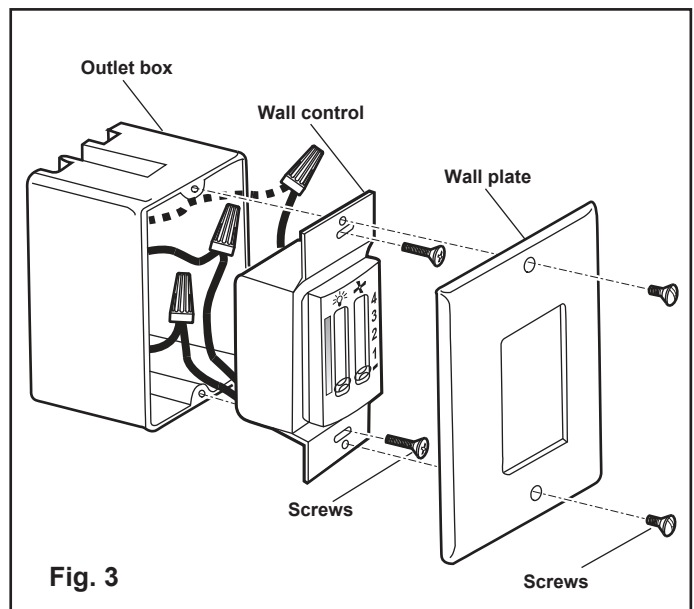


Fig. 3