

HINKLEY

3 SPEED CEILING FAN WALL CONTROL INSTALLATION INSTRUCTIONS

Model: 980012FWH

READ AND SAVE THESE INSTRUCTIONS

**BE SURE TO FOLLOW ALL STEPS IN THE ORDER GIVEN.
BE SURE POWER IS OFF AT FUSE, OR CIRCUIT BREAKER BOX.**

WARNING: 5 Amp- Multiple Speed Control Maximum Current Consumption of 5 Amps.

NOTE: Set fan on its "HIGH SPEED" pull chain setting before using the wall control.

WARNING: To avoid fire, shock and serious personal injury, follow these instructions:

- A. Read your owner's manual carefully, retain owner's manual for future reference.
- B. To avoid possible electrical shock, be sure electricity is turned off at the fuse box or circuit breaker panel before wiring.
- C. This switch is designed for ceiling fan only, to avoid overheating and possible damage to other equipment, do not install to control receptacle, fluorescent lighting fixture, motor-operated appliance, transformer-supplied appliance or near heat source.
- D. All wiring must conform to national and local electrical codes. If you feel you do not have enough electrical knowledge, have a licensed electrician install the control.
- E. Total amperage and/ or wattage for your fan should not exceed 120 Volts, 60 HZ, 5A (Max.)

1. Turn power OFF at fuse box or circuit breaker and remove the existing wall plate and switch, do not remove wires before noting their position. (Figure 1).
2. Make wire connections (Figure 2) and secure with wire nuts supplied.
 - Connect the black wire from the fan to black wire from the wall control.
 - Connect the white (neutral) wire from the ceiling to the white wire from the fan.
 - Connect the black (hot) wire from the ceiling to the black/white wire from the wall control.
 - If your outlet box has a ground wire (green or bare copper) connect the wall control's ground wire to it; otherwise connect the wall control's ground wire directly to one of the screws from the outlet box.
3. Attach the control to the outlet (wall) box and secure with 2 outlet box screws (Figure 3).
4. Attach the wall plate over the wall control and secure with the two screws provided (Figure 3).

For Warranty Information please visit www.hinkley.com

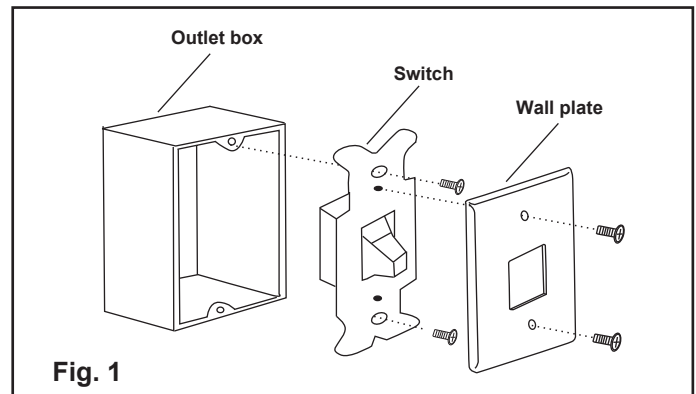


Fig. 1

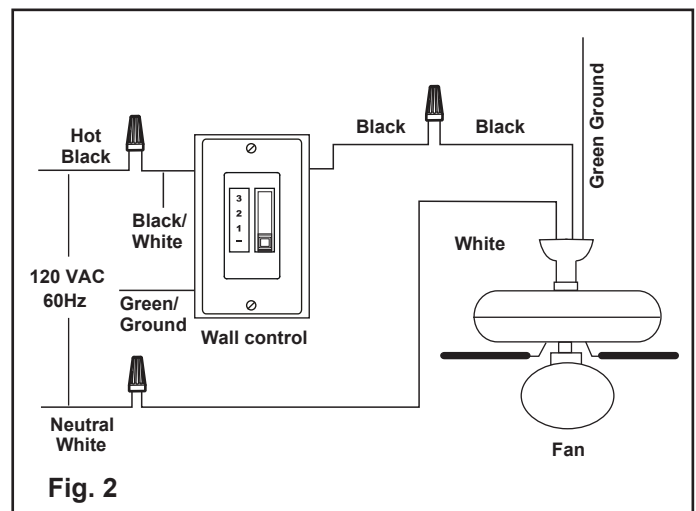


Fig. 2

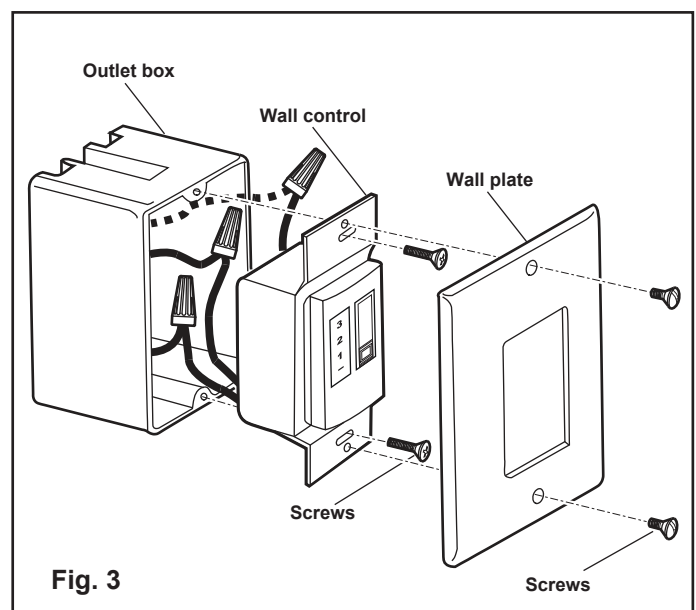


Fig. 3



HINKLEY

INSTRUCCIONES DE INSTALACIÓN DEL CONTROL DE PARED DEL VENTILADOR DE TECHO DE 3 VELOCIDADES

Modelo: 980012FWH

LEA Y GUARDE ESTAS INSTRUCCIONES

**ASEGÚRESE DE SEGUIR TODOS LOS PASOS EN LA ORDEN DADA.
ASEGÚRESE DE QUE LA ENERGÍA ESTÁ APAGADA EN EL FUSIBLE O
EN LA CAJA DE INTERRUPTOR DE CIRCUITO.**

ADVERTENCIA: 5 amperios - Control de velocidad múltiple Consumo máximo de corriente de 5 amperios.

NOTA: Ajuste el ventilador en su configuración de cadena de tracción "ALTA VELOCIDAD" antes de usar el control de pared.

ADVERTENCIA: Para evitar incendios, golpes y lesiones personales graves, siga estas instrucciones:

- Read your owner's manual carefully, retain owner's manual for future reference.
- To avoid possible electrical shock, be sure electricity is turned off at the fuse box or circuit breaker panel before wiring.
- This switch is designed for ceiling fan only, to avoid overheating and possible damage to other equipment, do not install to control receptacle, fluorescent lighting fixture, motor-operated appliance, transformer-supplied appliance or near heat source.
- All wiring must conform to national and local electrical codes. If you feel you do not have enough electrical knowledge, have a licensed electrician install the control.
- Total amperage and/ or wattage for your fan should not exceed 120 Volts, 60 HZ, 5A (Max.)

- Turn power OFF at fuse box or circuit breaker and remove the existing wall plate and switch, do not remove wires before noting their position. (Figure 1).
- Make wire connections (Figure 2) and secure with wire nuts supplied.
 - Connect the black wire from the fan to black wire from the wall control.
 - Connect the white (neutral) wire from the ceiling to the white wire from the fan.
 - Connect the black (hot) wire from the ceiling to the black/white wire from the wall control.
 - If your outlet box has a ground wire (green or bare copper) connect the wall control's ground wire to it; otherwise connect the wall control's ground wire directly to one of the screws from the outlet box.
- Attach the control to the outlet (wall) box and secure with 2 outlet box screws (Figure 3).
- Attach the wall plate over the wall control and secure with the two screws provided (Figure 3).

For Warranty Information please visit www.hinkley.com

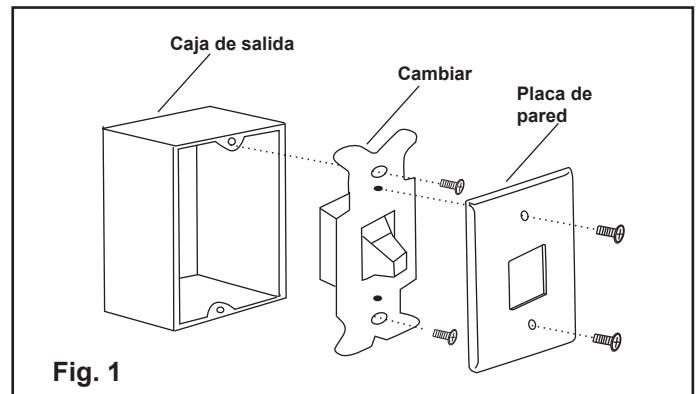


Fig. 1

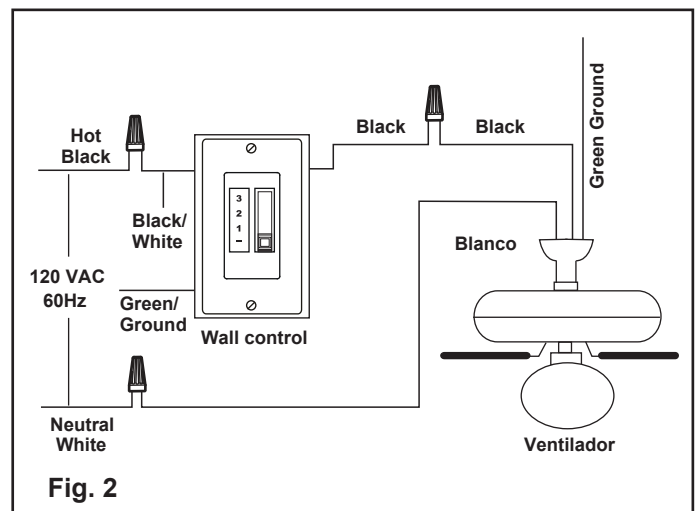


Fig. 2

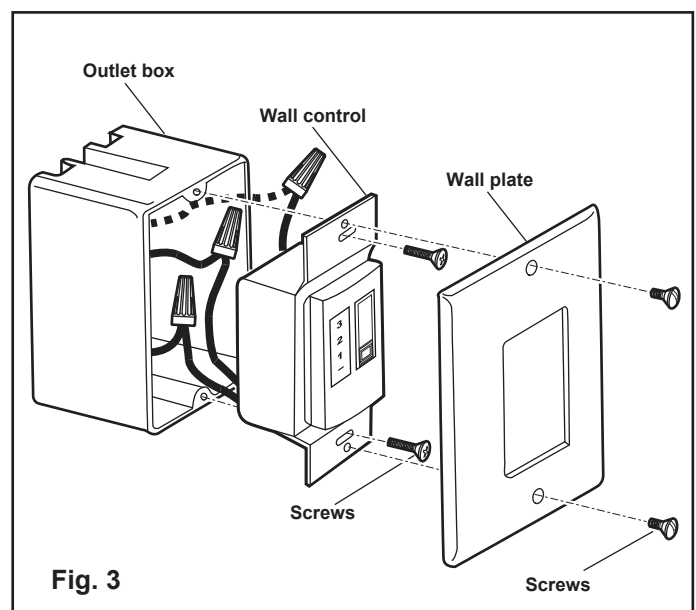


Fig. 3



HINKLEY

3 SPEED CEILING FAN WALL CONTROL INSTALLATION INSTRUCTIONS

Model: 980012FWH

READ AND SAVE THESE INSTRUCTIONS

**BE SURE TO FOLLOW ALL STEPS IN THE ORDER GIVEN.
BE SURE POWER IS OFF AT FUSE, OR CIRCUIT BREAKER BOX.**

WARNING: 5 Amp- Multiple Speed Control Maximum Current Consumption of 5 Amps.

NOTE: Set fan on its "HIGH SPEED" pull chain setting before using the wall control.

WARNING: To avoid fire, shock and serious personal injury, follow these instructions:

- A. Read your owner's manual carefully, retain owner's manual for future reference.
- B. To avoid possible electrical shock, be sure electricity is turned off at the fuse box or circuit breaker panel before wiring.
- C. This switch is designed for ceiling fan only, to avoid overheating and possible damage to other equipment, do not install to control receptacle, fluorescent lighting fixture, motor-operated appliance, transformer-supplied appliance or near heat source.
- D. All wiring must conform to national and local electrical codes. If you feel you do not have enough electrical knowledge, have a licensed electrician install the control.
- E. Total amperage and/ or wattage for your fan should not exceed 120 Volts, 60 HZ, 5A (Max.)

1. Turn power OFF at fuse box or circuit breaker and remove the existing wall plate and switch, do not remove wires before noting their position. (Figure 1).
2. Make wire connections (Figure 2) and secure with wire nuts supplied.
 - Connect the black wire from the fan to black wire from the wall control.
 - Connect the white (neutral) wire from the ceiling to the white wire from the fan.
 - Connect the black (hot) wire from the ceiling to the black/white wire from the wall control.
 - If your outlet box has a ground wire (green or bare copper) connect the wall control's ground wire to it; otherwise connect the wall control's ground wire directly to one of the screws from the outlet box.
3. Attach the control to the outlet (wall) box and secure with 2 outlet box screws (Figure 3).
4. Attach the wall plate over the wall control and secure with the two screws provided (Figure 3).

For Warranty Information please visit www.hinkley.com

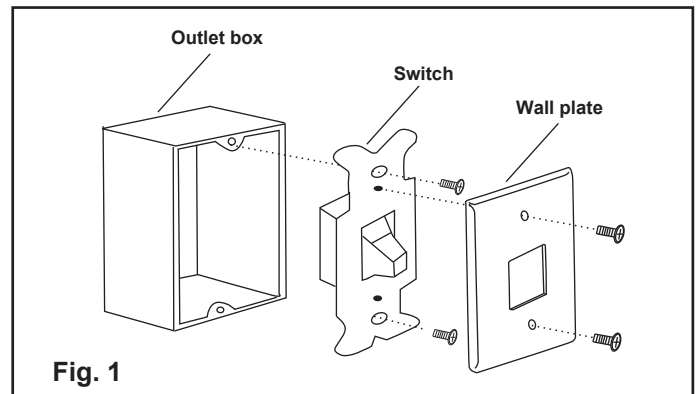


Fig. 1

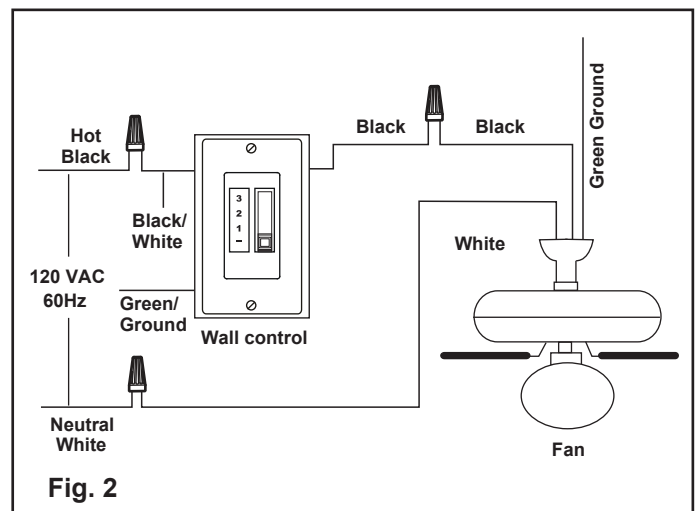


Fig. 2

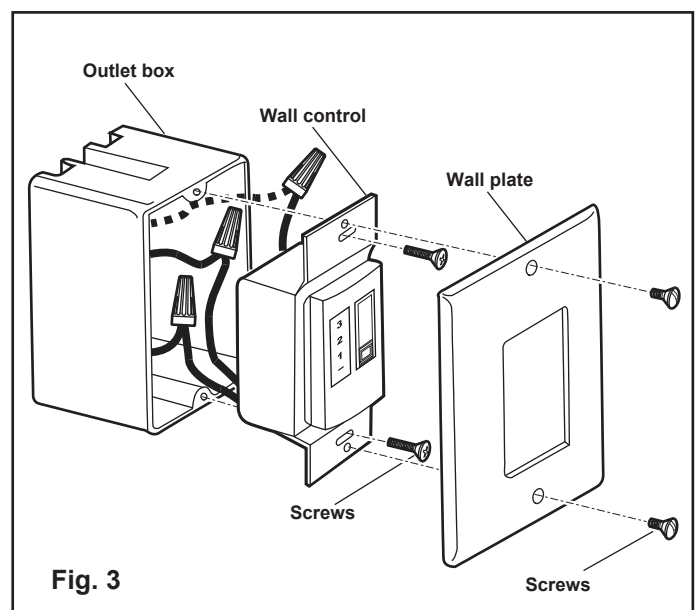


Fig. 3

