

READ AND SAVE THESE INSTRUCTIONS

GENERAL INFORMATION

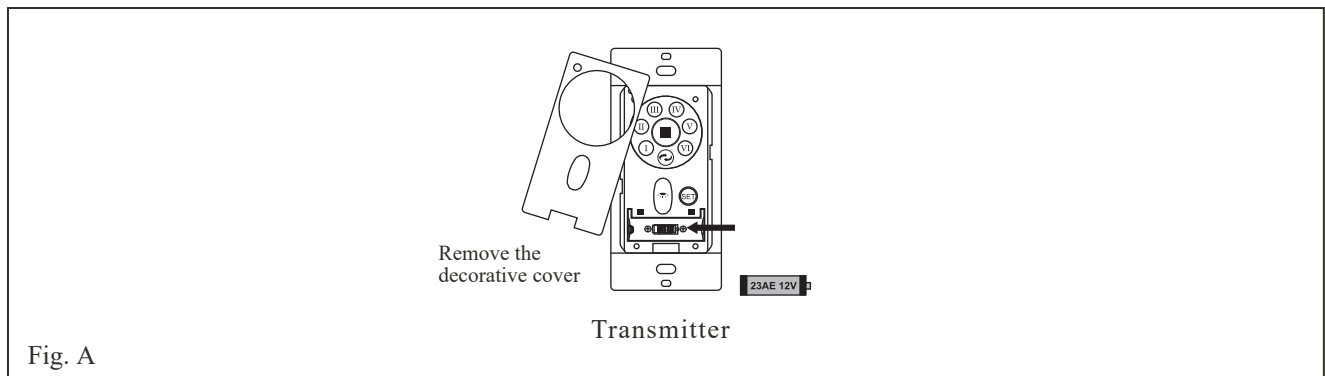
This wall remote control is designed to separately control your ceiling fan speed and light brightness.

- The fan button will control the fan's 6 speeds from highest to lowest speed.
- The light buttons will control the lights, brightness dimmer and off. The "D" selection is the light on only (no dimming function) and is to be used with CFL bulbs.
- The red indicator on the transmitter will light when the button is pressed.

INSTALLATION AND OPERATING INSTRUCTIONS

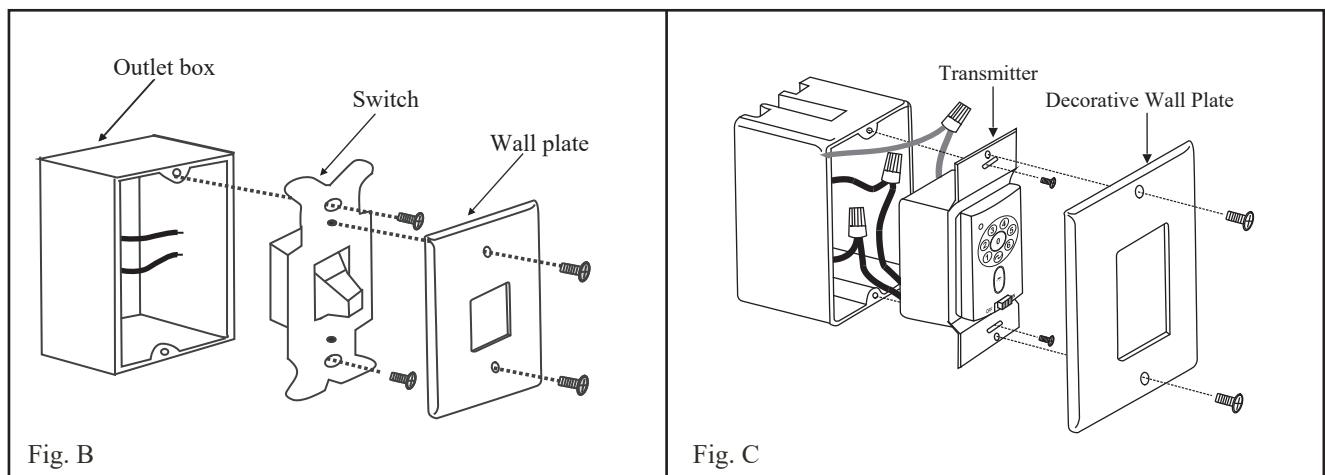
NOTE: This unit is equipped with automatic learn mode capability. There is no frequency switches.

NOTE: Remove the panel from the transmitter and then install one 23A/12V battery (included). To prevent damage to transmitter, remove the battery if not use for long periods of time (Fig. A).



1. INSTALLING THE WALL TRANSMITTER

- Remove the existing wall plate and the old switch from the wall outlet box. (Fig. B)
- Wire nut the two BLACK leads from outlet box to the two BLACK leads from the Transmitter. If your outlet box has a ground wire (Green or Bare Copper) connect the Transmitter's ground wire directly to one of the screws from the outlet box. Secure all wire connections with the plastic wire nuts provided. (Fig. C)
- Carefully tuck the wire connections inside the outlet box. Use the screws provided to secure the wall transmitter and wall plate to the outlet box. (Fig. C)



2. OPERATING TRANSMITTER:

Your DC brushless motor is equipped with an automatically learned type remote control. Restore power to ceiling fan and test the transmitter as below for proper operation:

A. I, II, III, IV, V and VI button:

These six buttons are used to set the fan speed as follows:

I = minimum speed

II = low speed

III = medium low speed

IV = medium speed

V = medium high speed

VI = high speed

B. ■ button:

This button turns the fan off.

C. ↻ Reverse button:

This button is to control fan direction

D. ☀ Light button

This button are controlled by pressing the light button. Tap button quickly to turn light off or on. Push the button once and release to turn the light on to full brightness. Hold the button down to increase or decrease light brightness. Release the button at the desired light brightness and that setting will be remembered the next time the light is turned on. The pre-set brightness can be changed by holding down the light button again until the new desired brightness is reached.

E. SET code setting button:

Follow the below steps to set the remote control:

The auto learning function will only mandate within 60 seconds when turning the fan's AC power ON.

Pairing Process

With the fan's power off, restore power to the fan. Press and hold "SET" button for about 5 seconds and release. If optional light kit is installed, the light kit will flash twice and the signal light on the wall control will come on when the button is pressed. The fan has completed the pairing process with the wall control and is ready for use.

NOTE: A single fan can be controlled with as many as 3 wall controls in one room. Every control will need to repeat the pairing process based on instructions above and all controls must be within 30 feet of the fan.

NOTE: If the self calibration test failed, turn the AC power off; restore power and process the self calibration test again.

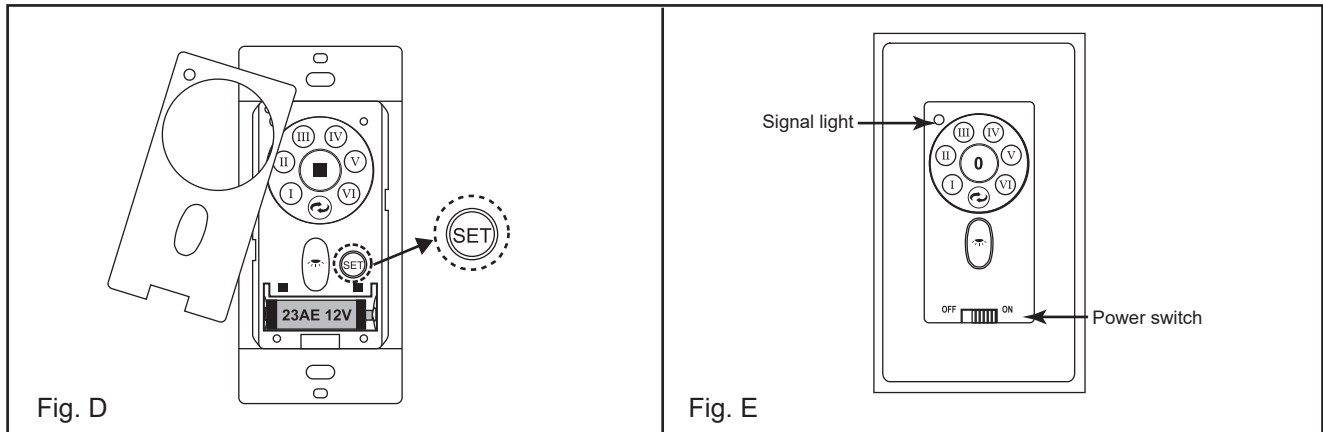
NOTE: During self calibration test, the remote is non-fuctional.

NOTE: The learning frequency function and self calibration test will continue to retain the last set frequency and calibration set even when the AC power is shut off. If the frequency is changed the self calibration test will occur again.

F. The Slide "OFF-ON" button turns all power off-on to fan and light.

The receiver provides the following protective function:

1. Lock position: The DC motor has a built-in safety against obstruction during operation. The motor will be locked operation and disconnect power after 30 seconds of interruption. Please remove obstacles before re-set.



YOUR REMOTE NOW HAS FULL CONTROL OF THE FAN AND LIGHT.

3. TROUBLESHOOTING GUIDE

A. Fails to operate:

- Power to the receiver?
- Receiver wired correctly?

B. Won't operate at distance:

If the signal is weak and fails to operate the fan from a distance less than 30 feet, try repositioning the antenna wire inside the fan canopy for better reception.

NOTICE!

Your ceiling fan and light kit assembly must meet the following requirements:

- Do not use with solid state fans.
- Electrical rating: 120V / 60 Hz
MAX. motor amps: 1.0 A
MAX. light watts: 300 W
(Incandescent only)

**For Warranty Information please visit
www.hinkley.com**

INFORMACIÓN GENERAL

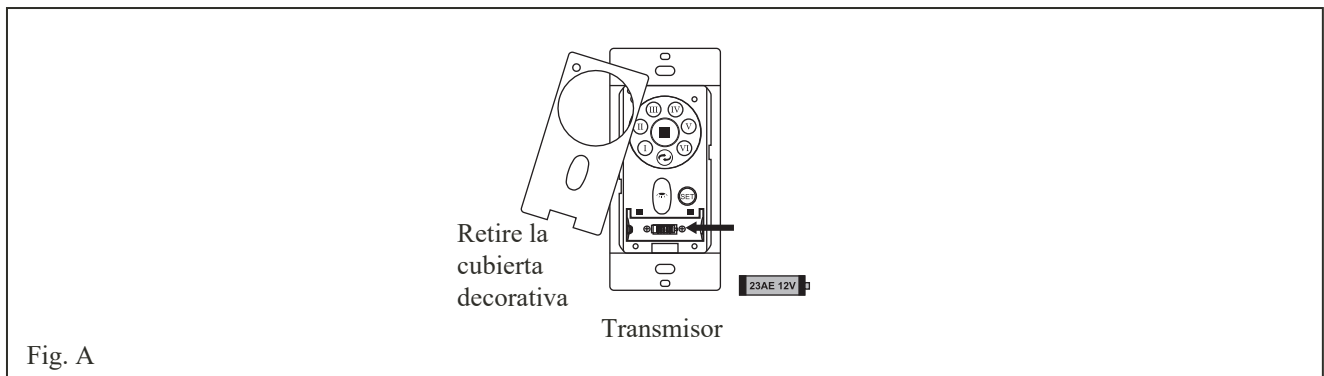
Este control remoto de pared está diseñado para controlar por separado la velocidad del ventilador de techo y el brillo de la luz.

- El botón del ventilador controlará las 6 velocidades del ventilador de mayor a menor velocidad.
- Los botones de luz controlarán las luces, el brillo más tenue y se apagarán. La selección "D" es la luz encendida solamente (sin función de atenuación) y debe usarse con bombillas CFL.
- El indicador rojo en el transmisor se encenderá cuando se presione el botón.

INSTRUCCIONES DE INSTALACIÓN Y OPERACIÓN

NOTA: Esta unidad está equipada con la capacidad del modo de aprendizaje automático. No hay interruptores de frecuencia.

NOTA: Retire el panel del transmisor y luego instale una batería de 23A / 12V (incluida). Para evitar daños al transmisor, retire la batería si no la usa durante largos períodos de tiempo (Fig. A).

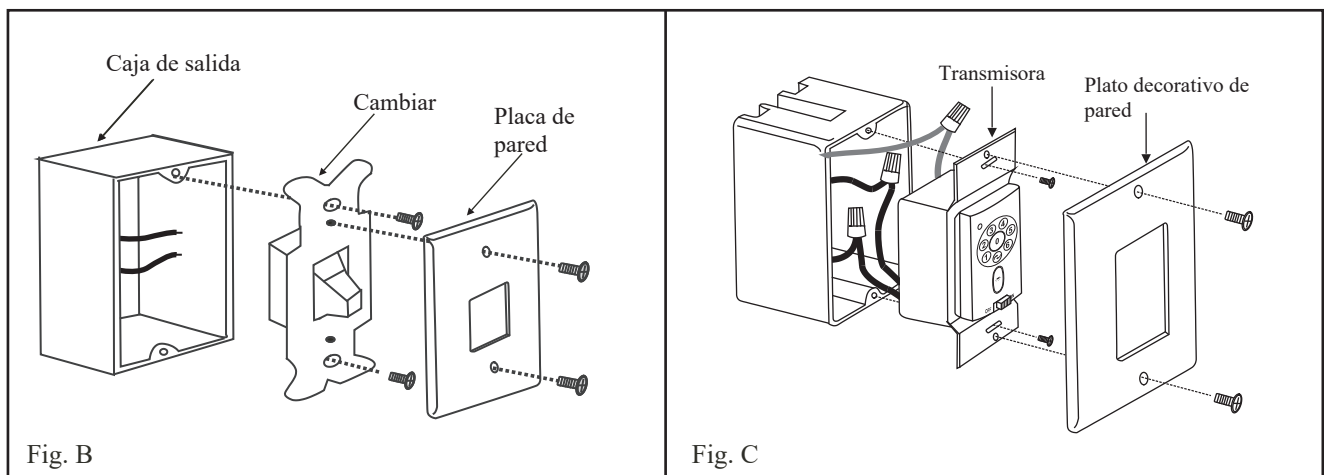


1. INSTALANDO EL TRANSMISOR DE PARED

A. Retire la placa de pared existente y el interruptor viejo de la caja de salida de pared. (Fig. B)

B. Conecte los dos cables NEGROS de la caja de salida a los dos cables NEGROS del transmisor. Si su caja de salida tiene un cable a tierra (verde o cobre desnudo), conecte el cable a tierra del transmisor directamente a uno de los tornillos de la caja de salida. Asegure todas las conexiones de cables con las tuercas para cables de plástico provistas. (Fig. C)

C. Cuidadosamente meta las conexiones de cables dentro de la caja de salida. Use los tornillos provistos para asegurar el transmisor de pared y la placa de pared a la caja de salida. (Fig. C)



2. TRANSMISOR OPERATIVO:

Su motor sin escobillas de CC está equipado con un control remoto de tipo aprendido automáticamente. Restaure la energía del ventilador de techo y pruebe el transmisor como se muestra a continuación para que funcione correctamente:

A. Botón I, II, III, IV, V y VI:

Estos seis botones se utilizan para configurar la velocidad del ventilador de la siguiente manera:

I = velocidad mínima

II = baja velocidad

III = velocidad media baja

IV = velocidad media

V = velocidad media alta

VI = alta velocidad

B. ■ botón:

Este botón apaga el ventilador.

C. ⏪ Botón de retroceso:

Este botón es para controlar la dirección del ventilador.

D. ● Botón de luz

Este botón se controla presionando el botón de luz. Toque el botón rápidamente para apagar o encender la luz. Presione el botón una vez y suéltelo para encender la luz a pleno brillo. Mantenga presionado el botón para aumentar o disminuir el brillo de la luz. Suelte el botón con el brillo de luz deseado y esa configuración se recordará la próxima vez que se encienda la luz. El brillo preestablecido puede cambiarse manteniendo presionado el botón de luz nuevamente hasta alcanzar el nuevo brillo deseado.

E. Botón de configuración del código SET:

Siga los pasos a continuación para configurar el control remoto:

La función de aprendizaje automático solo tendrá un mandato dentro de los 60 segundos al encender la alimentación de CA del ventilador.

Pairing Process

With the fan's power off, restore power to the fan. Press and hold "SET" button for about 5 seconds and release. If optional light kit is installed, the light kit will flash twice and the signal light on the wall control will come on when the button is pressed. The fan has completed the pairing process with the wall control and is ready for use.

NOTE: A single fan can be controlled with as many as 3 wall controls in one room. Every control will need to repeat the pairing process based on instructions above and all controls must be within 30 feet of the fan.

NOTE: If the self calibration test failed, turn the AC power off, restore power and process the self calibration test again.

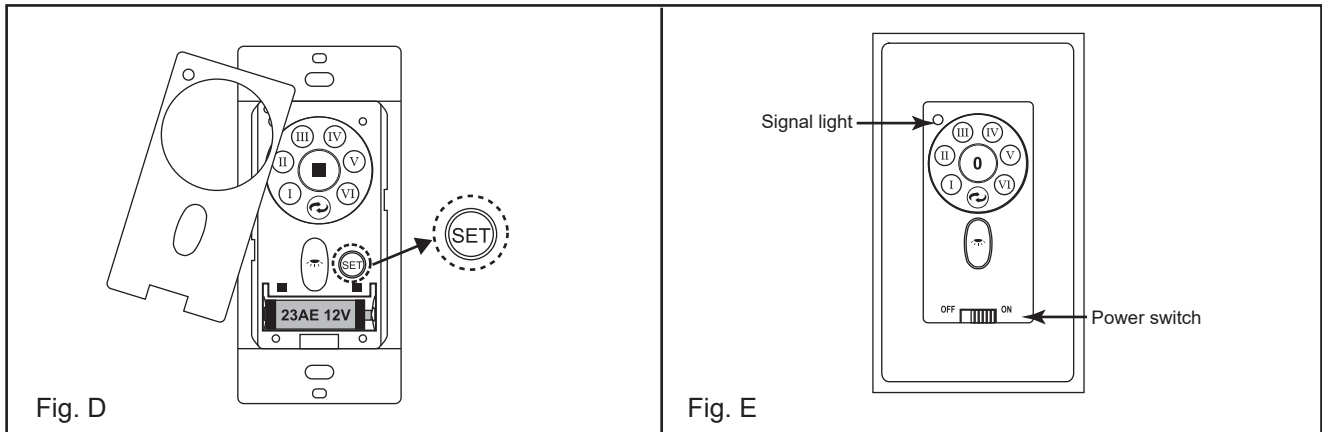
NOTE: During self calibration test, the remote is non-functional.

NOTE: The learning frequency function and self calibration test will continue to retain the last set frequency and calibration set even when the AC power is shut off. If the frequency is changed the self calibration test will occur again.

F. The Slide "OFF-ON" button turns all power off-on to fan and light.

The receiver provides the following protective function:

1. Lock position: The DC motor has a built-in safety against obstruction during operation. The motor will be locked operation and disconnect power after 30 seconds of interruption. Please remove obstacles before re-set.



YOUR REMOTE NOW HAS FULL CONTROL OF THE FAN AND LIGHT.

3. TROUBLESHOOTING GUIDE

A. Fails to operate:

- a. Power to the receiver?
- b. Receiver wired correctly?

B. Won't operate at distance:

If the signal is weak and fails to operate the fan from a distance less than 30 feet, try repositioning the antenna wire inside the fan canopy for better reception.

NOTICE!

Your ceiling fan and light kit assembly must meet the following requirements:

1. Do not use with solid state fans.
2. Electrical rating: 120V / 60 Hz
MAX. motor amps: 1.0 A
MAX. light watts: 300 W
(Incandescent only)

**For Warranty Information please visit
www.hinkley.com**

READ AND SAVE THESE INSTRUCTIONS

GENERAL INFORMATION

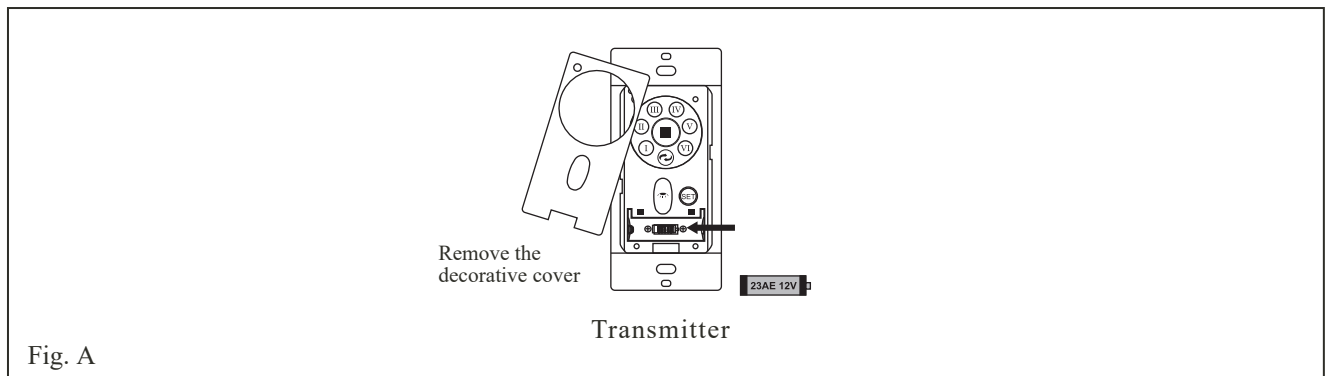
This wall remote control is designed to separately control your ceiling fan speed and light brightness.

- The fan button will control the fan's 6 speeds from highest to lowest speed.
- The light buttons will control the lights, brightness dimmer and off. The "D" selection is the light on only (no dimming function) and is to be used with CFL bulbs.
- The red indicator on the transmitter will light when the button is pressed.

INSTALLATION AND OPERATING INSTRUCTIONS

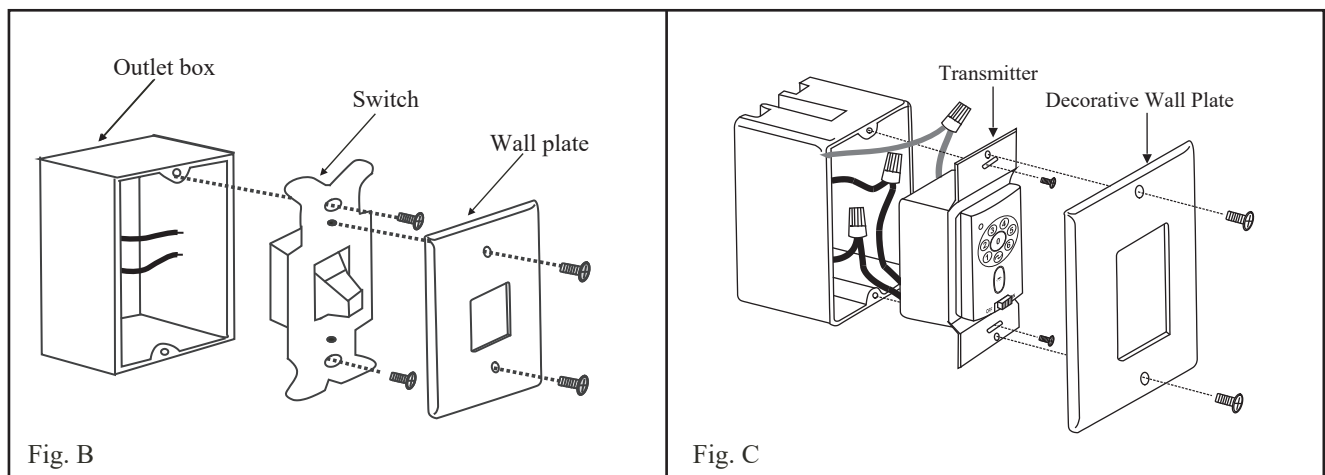
NOTE: This unit is equipped with automatic learn mode capability. There is no frequency switches.

NOTE: Remove the panel from the transmitter and then install one 23A/12V battery (included). To prevent damage to transmitter, remove the battery if not use for long periods of time (Fig. A).



1. INSTALLING THE WALL TRANSMITTER

- Remove the existing wall plate and the old switch from the wall outlet box. (Fig. B)
- Wire nut the two BLACK leads from outlet box to the two BLACK leads from the Transmitter. If your outlet box has a ground wire (Green or Bare Copper) connect the Transmitter's ground wire directly to one of the screws from the outlet box. Secure all wire connections with the plastic wire nuts provided. (Fig. C)
- Carefully tuck the wire connections inside the outlet box. Use the screws provided to secure the wall transmitter and wall plate to the outlet box. (Fig. C)



2. OPERATING TRANSMITTER:

Your DC brushless motor is equipped with an automatically learned type remote control. Restore power to ceiling fan and test the transmitter as below for proper operation:

A. I, II, III, IV, V and VI button:

These six buttons are used to set the fan speed as follows:

I = minimum speed

II = low speed

III = medium low speed

IV = medium speed

V = medium high speed

VI = high speed

B. ■ button:

This button turns the fan off.

C. ↻ Reverse button:

This button is to control fan direction

D. ☀ Light button

This button are controlled by pressing the light button. Tap button quickly to turn light off or on. Push the button once and release to turn the light on to full brightness. Hold the button down to increase or decrease light brightness. Release the button at the desired light brightness and that setting will be remembered the next time the light is turned on. The pre-set brightness can be changed by holding down the light button again until the new desired brightness is reached.

E. SET code setting button:

Follow the below steps to set the remote control:

The auto learning function will only mandate within 60 seconds when turning the fan's AC power ON.

Pairing Process

With the fan's power off, restore power to the fan. Press and hold "SET" button for about 5 seconds and release. If optional light kit is installed, the light kit will flash twice and the signal light on the wall control will come on when the button is pressed. The fan has completed the pairing process with the wall control and is ready for use.

NOTE: A single fan can be controlled with as many as 3 wall controls in one room. Every control will need to repeat the pairing process based on instructions above and all controls must be within 30 feet of the fan.

NOTE: If the self calibration test failed, turn the AC power off; restore power and process the self calibration test again.

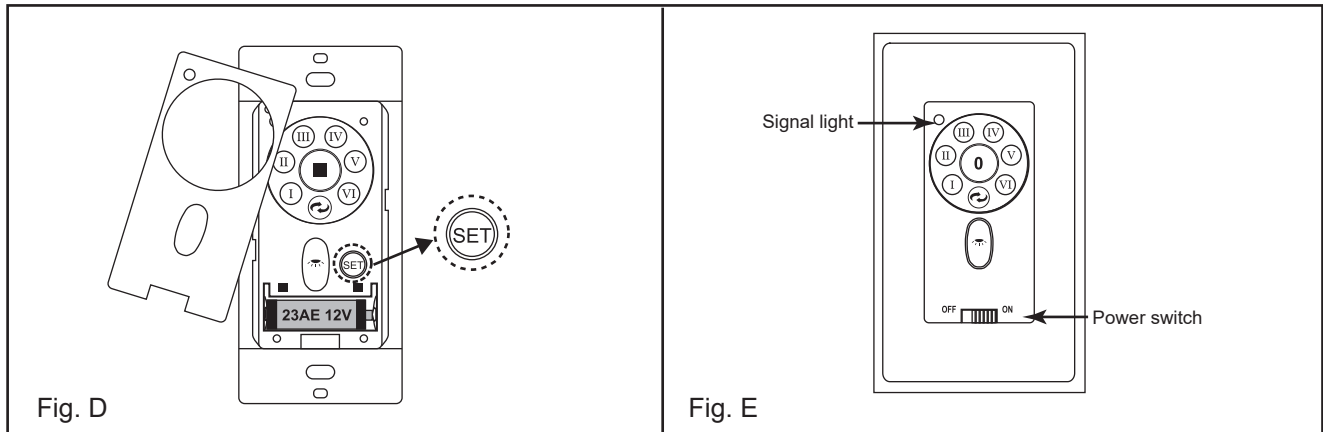
NOTE: During self calibration test, the remote is non-fuctional.

NOTE: The learning frequency function and self calibration test will continue to retain the last set frequency and calibration set even when the AC power is shut off. If the frequency is changed the self calibration test will occur again.

F. The Slide "OFF-ON" button turns all power off-on to fan and light.

The receiver provides the following protective function:

1. Lock position: The DC motor has a built-in safety against obstruction during operation. The motor will be locked operation and disconnect power after 30 seconds of interruption. Please remove obstacles before re-set.



YOUR REMOTE NOW HAS FULL CONTROL OF THE FAN AND LIGHT.

3. TROUBLESHOOTING GUIDE

A. Fails to operate:

- Power to the receiver?
- Receiver wired correctly?

B. Won't operate at distance:

If the signal is weak and fails to operate the fan from a distance less than 30 feet, try repositioning the antenna wire inside the fan canopy for better reception.

NOTICE!

Your ceiling fan and light kit assembly must meet the following requirements:

- Do not use with solid state fans.
- Electrical rating: 120V / 60 Hz
MAX. motor amps: 1.0 A
MAX. light watts: 300 W
(Incandescent only)

**For Warranty Information please visit
www.hinkley.com**