

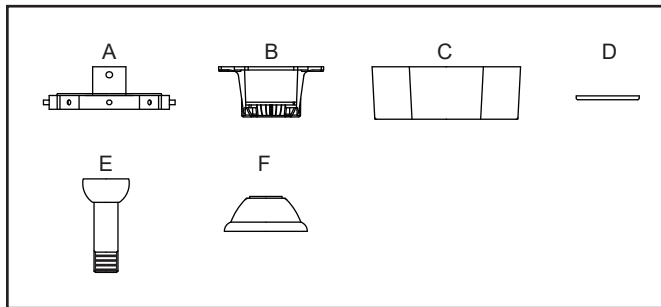
HINKLEY

DOWNROD KIT INSTALLATION FOR FACET FAN

Model: 99058FXX

PARTS

- | | |
|------------------------------|-----------------|
| A) Mounting coupler assembly | D) Canopy cover |
| B) Hanger bracket | E) Downrod Asm |
| C) Canopy | F) Yoke cover |



INSTALLING THE HANGER BRACKET

REMEMBER -Turn off the power !

Attach hanging bracket to outlet box using screws provided with the outlet box. (Fig.1)

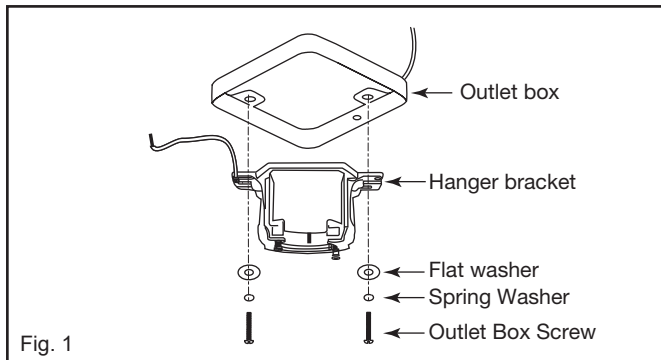


Fig. 1

HANGING THE FAN

Step 1. Remove hanger ball from downrod by loosening set screw in the side of the hanger ball. Slide hanger ball down and remove cross pin; remove hanger ball. (Fig. 2)

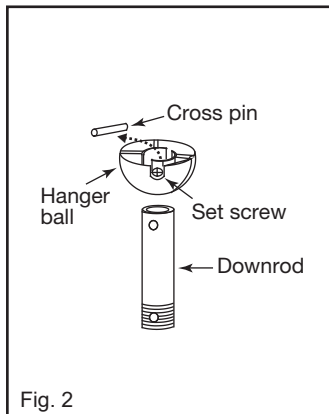


Fig. 2

Step 2. Carefully support the fan motor assembly in its styrofoam packing so the top of the motor facing upward

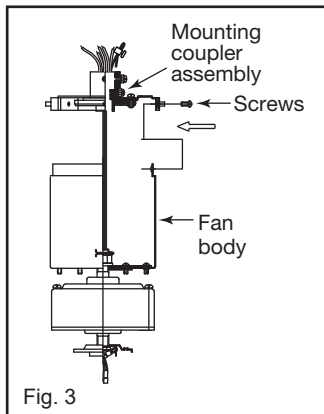


Fig. 3

Step 3. Slip the wires from the fan motor through the mounting coupler assembly, and then tighten mounting coupler assembly to the fan body with four mounting screws. (Fig. 3)

Step 4. Carefully feed the electrical lead wires and safety cable from the fan through the downrod.

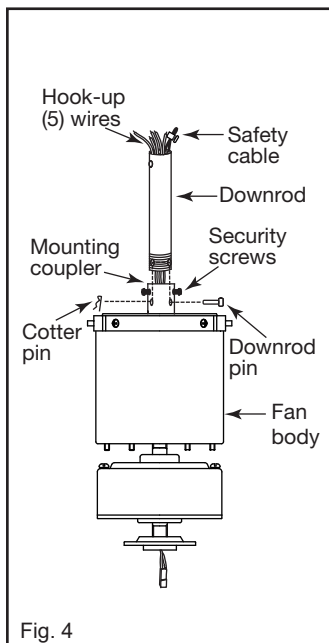


Fig. 4

Thread downrod into coupler until holes align. Insert downrod pin through holes in mounting coupler and downrod; clip cotter pin through small hole in end of downrod pin to hold downrod in place. (Fig. 4)

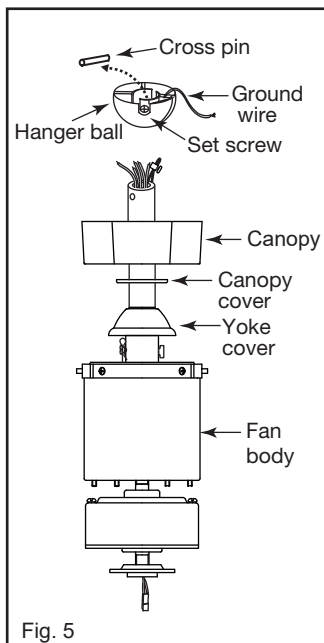
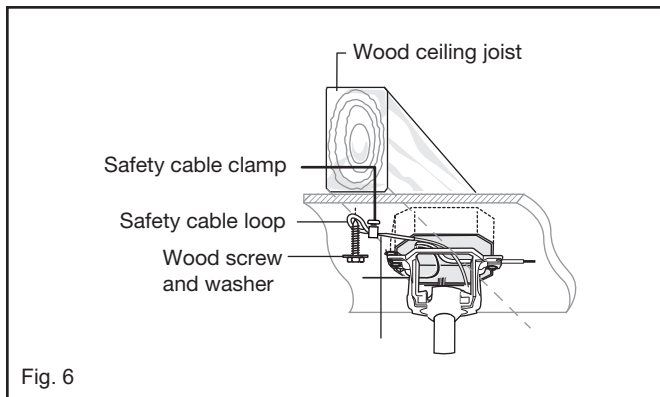


Fig. 5

Step 5. Tighten security set screws against downrod using a large flat blade screwdriver to ensure a tight fit against downrod.

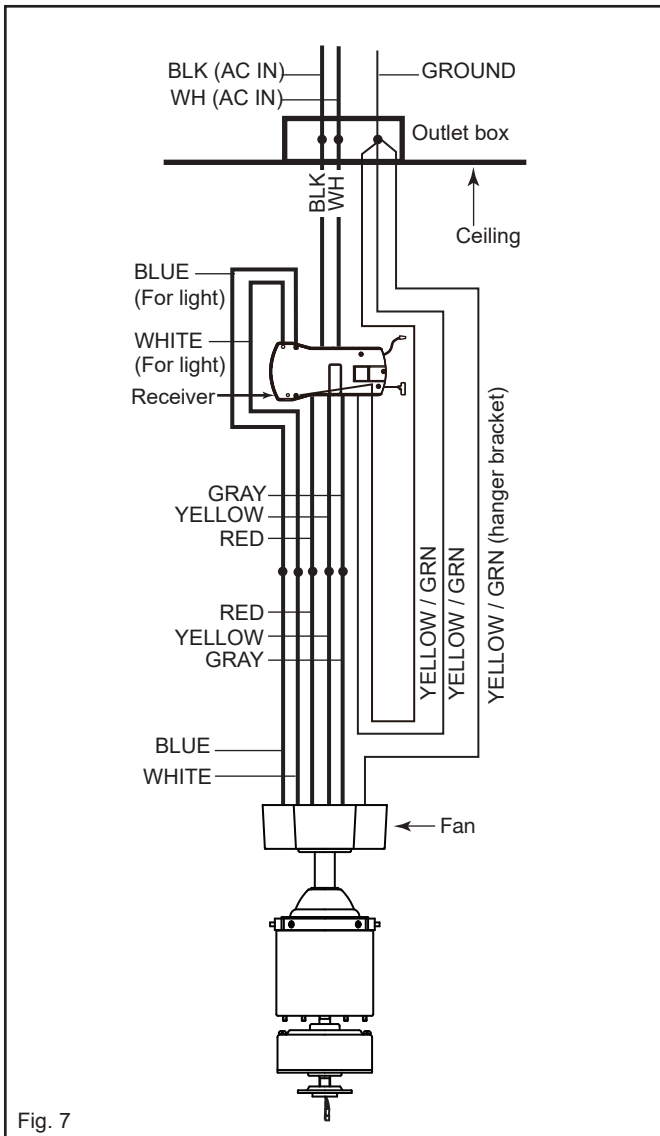
Step 6. Slip the wires from the fan motor through the yoke cover and canopy cover and canopy onto the downrod. Slide the hanger ball onto the downrod, insert the cross pin through the downrod. Pull the hanger ball up so the cross pin seats in the channel in the hanger ball. Tighten the set screw. (Fig. 5)



Step 1. Attach the wood screw and the flat washer to the ceiling joist as shown (do not fully tighten). Slide the cable clamp onto the safety cable from the fan. Loop the safety cable around the wood screw that was just attached to ceiling joist. Feed the end of the cable into the clamp and pull as much cable through as possible. Firmly tighten screw in the clamp. Cut off excess cable and tighten the wood screw to ceiling joist. (Fig.6)

ELECTRICAL CONNECTIONS

WARNINGS: Check to see that all connections are tight, including ground, and that no bare wire is visible at the wire nuts, except for the ground wire.



Step 1. Insert the receiver into the mounting bracket.

Step 2. Make wire connections from the fan to the receiver unit. For this step use the bundle of 5 wires on the receiver. (Fig.7)

- Connect the YELLOW fan wire to the YELLOW receiver wire.
- Connect the GRAY fan wire to the GRAY receiver wire.
- Connect the RED fan neutral wire to the RED receiver neutral wire.
- Connect the WHITE neutral light kit lead from the fan to WHITE receiver lead marked "For Light".
- Connect the BLUE light kit lead from the fan to BLUE receiver lead marked "For Light".

Wire colors out of the fan are blue/white for the light kit. Light kit leads from the controller/receiver are blue/white.

Step 3. Connect the supply wires from the ceiling to the receiver unit. (Use the 2 wire bundle on the receiver) Secure with supplied wire nuts.

- Connect the BLACK building supply wire to the BLACK receiver wire.
- Connect the WHITE receiver neutral wire to the WHITE building neutral wire.
- Connect the COPPER building ground wire to the 4 YELLOW/ GREEN ground wires from the fan and receiver.

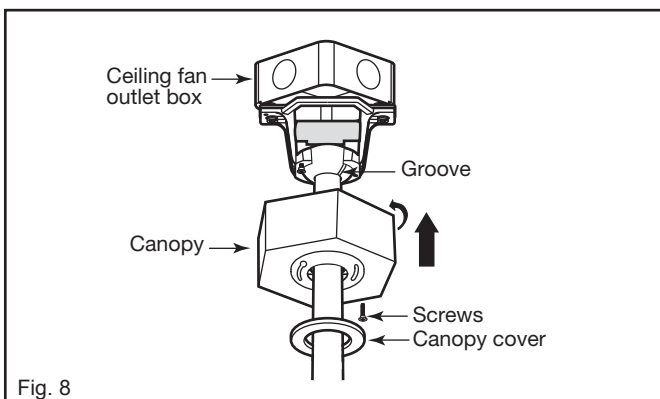
FINISHING THE INSTALLATION

Step 1. Tuck connections neatly into ceiling outlet box. (Fig. 8)

Step 2. Remove one canopy screw on the bracket and slide the canopy up to mounting bracket and place the key hole on screw on the mounting bracket aligning the key slot in the canopy with the canopy screw in the hanger bracket, turn canopy until it locks in place at the narrow section of the key holes.

Step 3. Align the remaining circular slot in the canopy with the threaded hole in the hanger bracket. Install canopy screw loosely. Rotate the canopy in the slots to align the points of the canopy with points of the fan housing. Securely tighten both canopy screws.

Step 4. Assemble the canopy cover by aligning the two key slots on the top side of the canopy cover with the two canopy screws. Twist to lock into place.



Referring to Facet fan installation instruction for other ceiling fan installing procedure.

PARTES

- | | |
|--------------------------------------|--------------------------|
| A) Conjunto del acoplador de montaje | D) Cubierta de dosel |
| B) Soporte de suspensión | E) Montaje de la varilla |
| C) Pabellón | F) Cubierta de yugo |

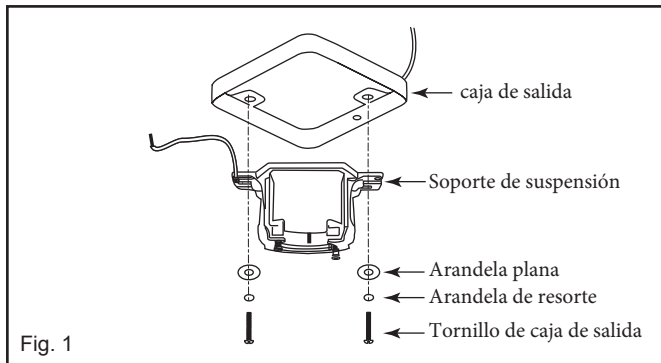
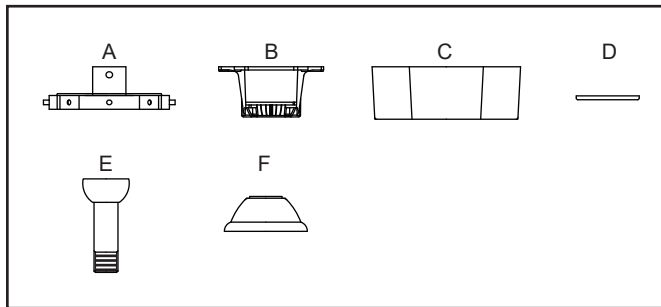


Fig. 1

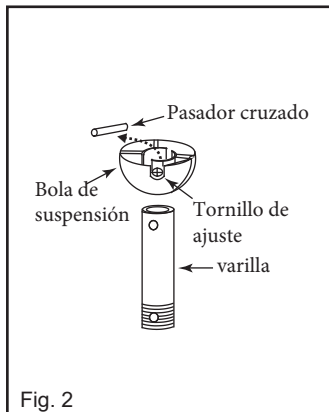


Fig. 2

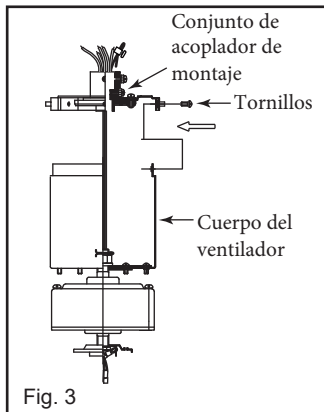


Fig. 3

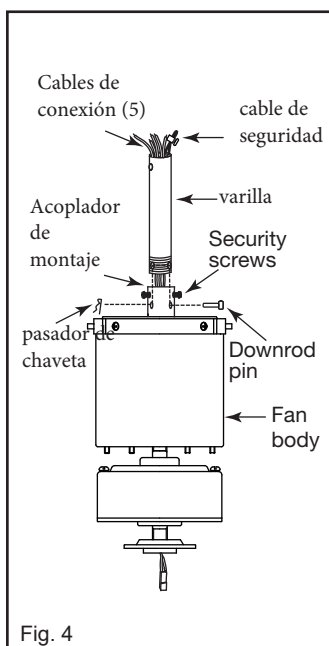


Fig. 4

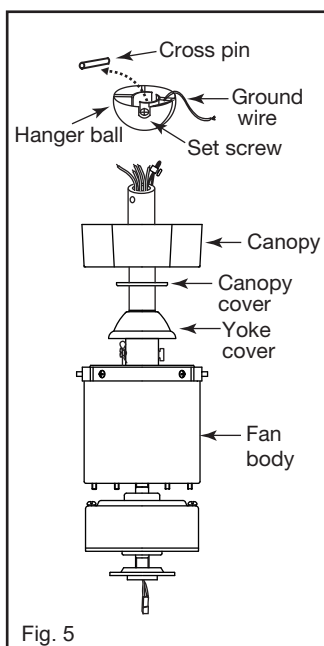


Fig. 5

INSTALACIÓN DEL SOPORTE DE SUSPENSIÓN RECUERDE - ¡Apague la energía!

Fije el soporte para colgar a la caja de salida con los tornillos provistos con la caja de salida. (Figura 1)

CÓMO COLGAR EL VENTILADOR

Paso 1. Retire la bola de suspensión del tubo bajante aflojando el tornillo de fijación en el costado de la bola de suspensión. Deslice la bola de suspensión hacia abajo y retire el pasador transversal; Retire la bola de suspensión. (Figura 2)

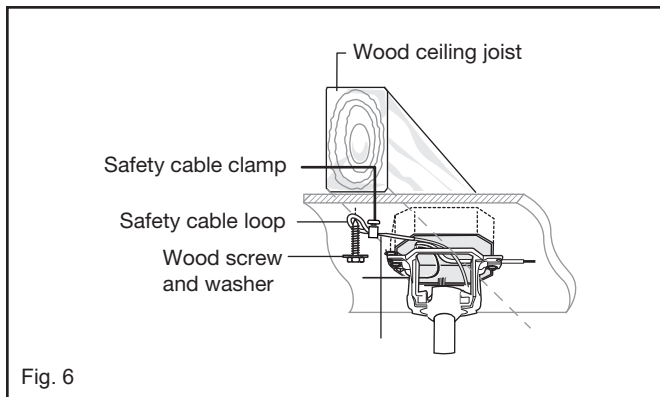
Paso 2. Sostenga con cuidado el conjunto del motor del ventilador en su empaque de espuma de poliestireno de manera que la parte superior del motor mire hacia arriba.

Paso 3. Deslice los cables del motor del ventilador a través del conjunto del acoplador de montaje y luego apriete el conjunto del acoplador de montaje al cuerpo del ventilador con cuatro tornillos de montaje. (Fig. 3)

Paso 4. Pase con cuidado los cables conductores eléctricos y el cable de seguridad del ventilador a través del tubo bajante. Enrosque la varilla en el acoplador hasta que los orificios se alineen. Inserte el pasador de la varilla a través de los agujeros en el acoplador de montaje y la varilla; sujete la chaveta a través del pequeño orificio en el extremo del pasador de la varilla para mantener la varilla en su lugar. (Figura 4)

Paso 5. Apriete los tornillos de fijación de seguridad contra el tubo bajante con un destornillador grande de hoja plana para garantizar un ajuste perfecto contra el tubo bajante.

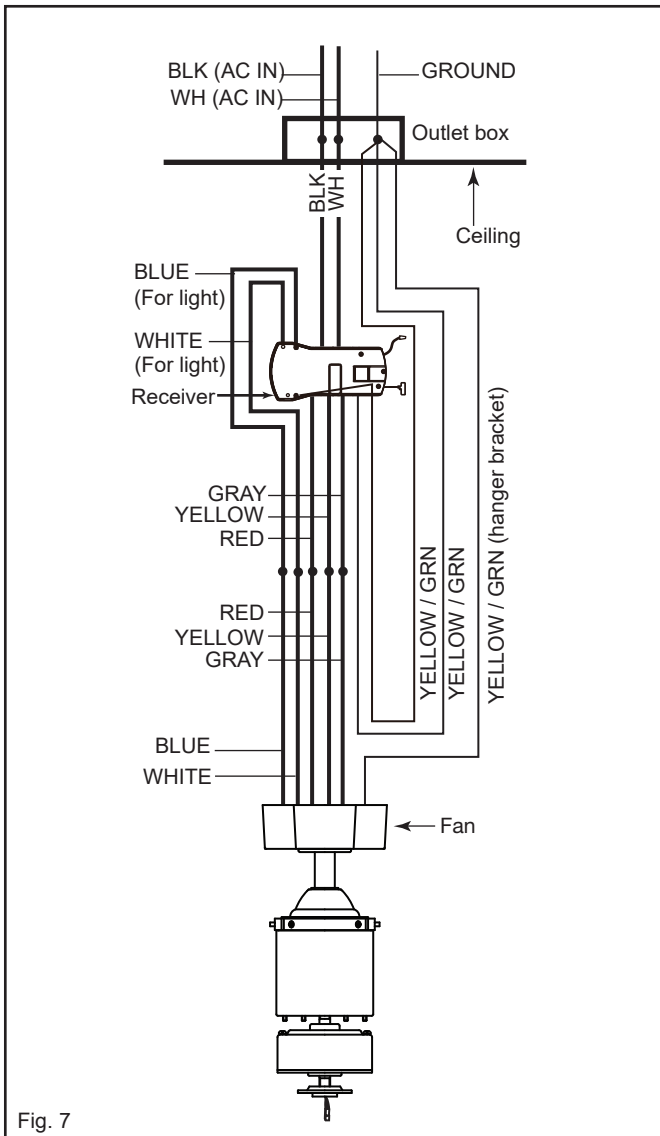
Paso 6. Deslice los cables del motor del ventilador a través de la cubierta del yugo y la cubierta de la cubierta y la cubierta hasta el tubo bajante. Deslice la bola de suspensión en el tubo bajante, inserte el pasador transversal a través del tubo bajante. Tire de la bola para colgar hacia arriba de modo que el pasador transversal se asiente en el canal de la bola para colgar. Apriete el tornillo de fijación. (Figura 5))



Step 1. Attach the wood screw and the flat washer to the ceiling joist as shown (do not fully tighten). Slide the cable clamp onto the safety cable from the fan. Loop the safety cable around the wood screw that was just attached to ceiling joist. Feed the end of the cable into the clamp and pull as much cable through as possible. Firmly tighten screw in the clamp. Cut off excess cable and tighten the wood screw to ceiling joist. (Fig.6)

ELECTRICAL CONNECTIONS

WARNINGS: Check to see that all connections are tight, including ground, and that no bare wire is visible at the wire nuts, except for the ground wire.



Step 1. Insert the receiver into the mounting bracket.

Step 2. Make wire connections from the fan to the receiver unit. For this step use the bundle of 5 wires on the receiver. (Fig.7)

- Connect the YELLOW fan wire to the YELLOW receiver wire.
- Connect the GRAY fan wire to the GRAY receiver wire.
- Connect the RED fan neutral wire to the RED receiver neutral wire.
- Connect the WHITE neutral light kit lead from the fan to WHITE receiver lead marked "For Light".
- Connect the BLUE light kit lead from the fan to BLUE receiver lead marked "For Light".

Wire colors out of the fan are blue/white for the light kit. Light kit leads from the controller/receiver are blue/white.

Step 3. Connect the supply wires from the ceiling to the receiver unit. (Use the 2 wire bundle on the receiver) Secure with supplied wire nuts.

- Connect the BLACK building supply wire to the BLACK receiver wire.
- Connect the WHITE receiver neutral wire to the WHITE building neutral wire.
- Connect the COPPER building ground wire to the 4 YELLOW/ GREEN ground wires from the fan and receiver.

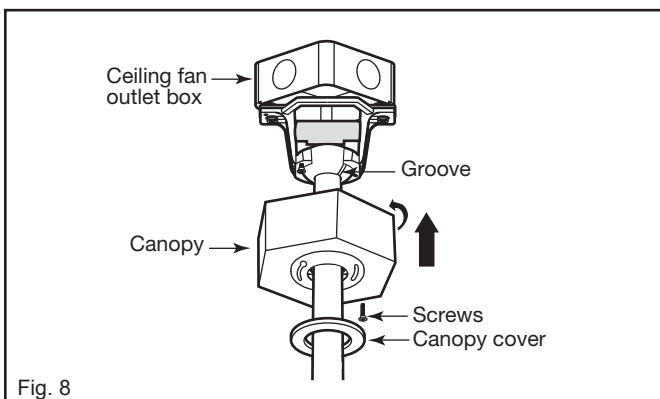
FINISHING THE INSTALLATION

Step 1. Tuck connections neatly into ceiling outlet box. (Fig. 8)

Step 2. Remove one canopy screw on the bracket and slide the canopy up to mounting bracket and place the key hole on screw on the mounting bracket aligning the key slot in the canopy with the canopy screw in the hanger bracket, turn canopy until it locks in place at the narrow section of the key holes.

Step 3. Align the remaining circular slot in the canopy with the threaded hole in the hanger bracket. Install canopy screw loosely. Rotate the canopy in the slots to align the points of the canopy with points of the fan housing. Securely tighten both canopy screws.

Step 4. Assemble the canopy cover by aligning the two key slots on the top side of the canopy cover with the two canopy screws. Twist to lock into place.



Referring to Facet fan installation instruction for other ceiling fan installing procedure.

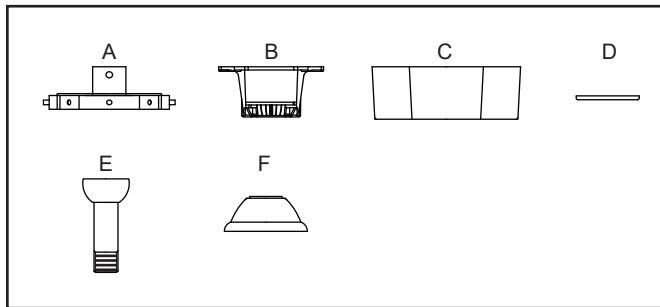
HINKLEY

DOWNROD KIT INSTALLATION FOR FACET FAN

Model: 99058FXX

PARTS

- | | |
|------------------------------|-----------------|
| A) Mounting coupler assembly | D) Canopy cover |
| B) Hanger bracket | E) Downrod Asm |
| C) Canopy | F) Yoke cover |



INSTALLING THE HANGER BRACKET

REMEMBER -Turn off the power !

Attach hanging bracket to outlet box using screws provided with the outlet box. (Fig.1)

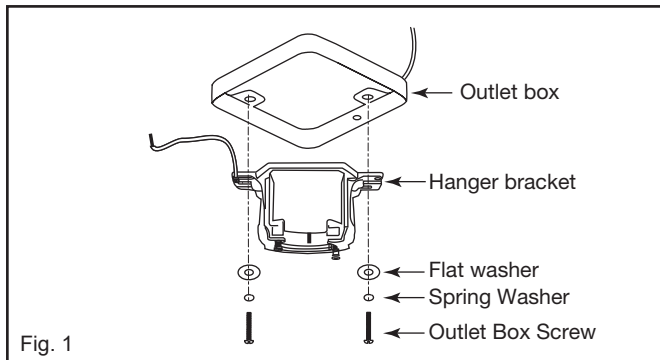


Fig. 1

HANGING THE FAN

Step 1. Remove hanger ball from downrod by loosening set screw in the side of the hanger ball. Slide hanger ball down and remove cross pin; remove hanger ball. (Fig. 2)

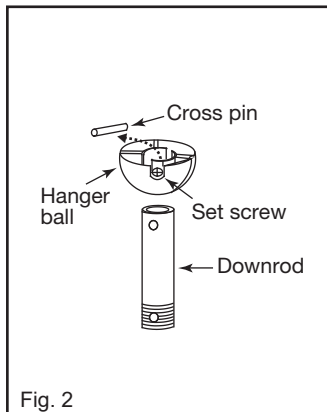


Fig. 2

Step 2. Carefully support the fan motor assembly in its styrofoam packing so the top of the motor facing upward

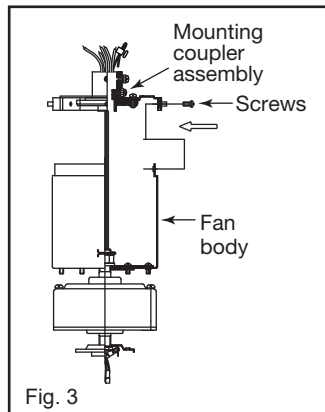


Fig. 3

Step 3. Slip the wires from the fan motor through the mounting coupler assembly, and then tighten mounting coupler assembly to the fan body with four mounting screws. (Fig. 3)

Step 4. Carefully feed the electrical lead wires and safety cable from the fan through the downrod. Thread downrod into coupler until holes align. Insert downrod pin through holes in mounting coupler and downrod; clip cotter pin through small hole in end of downrod pin to hold downrod in place. (Fig. 4)

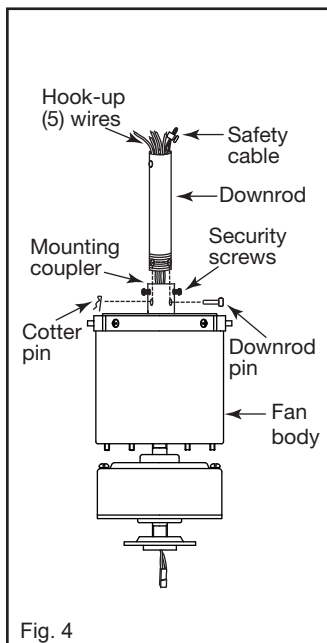


Fig. 4

Step 5. Tighten security set screws against downrod using a large flat blade screwdriver to ensure a tight fit against downrod.

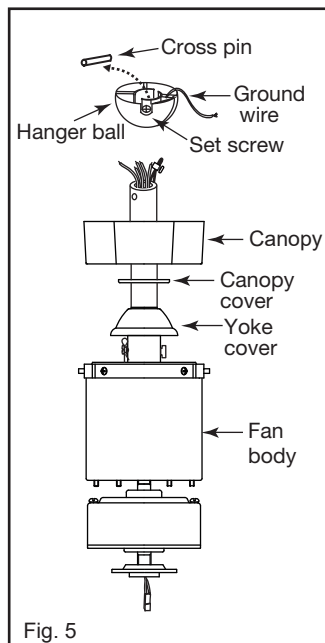
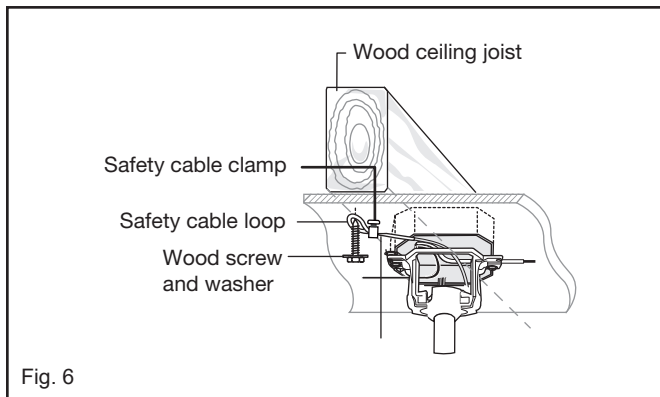


Fig. 5

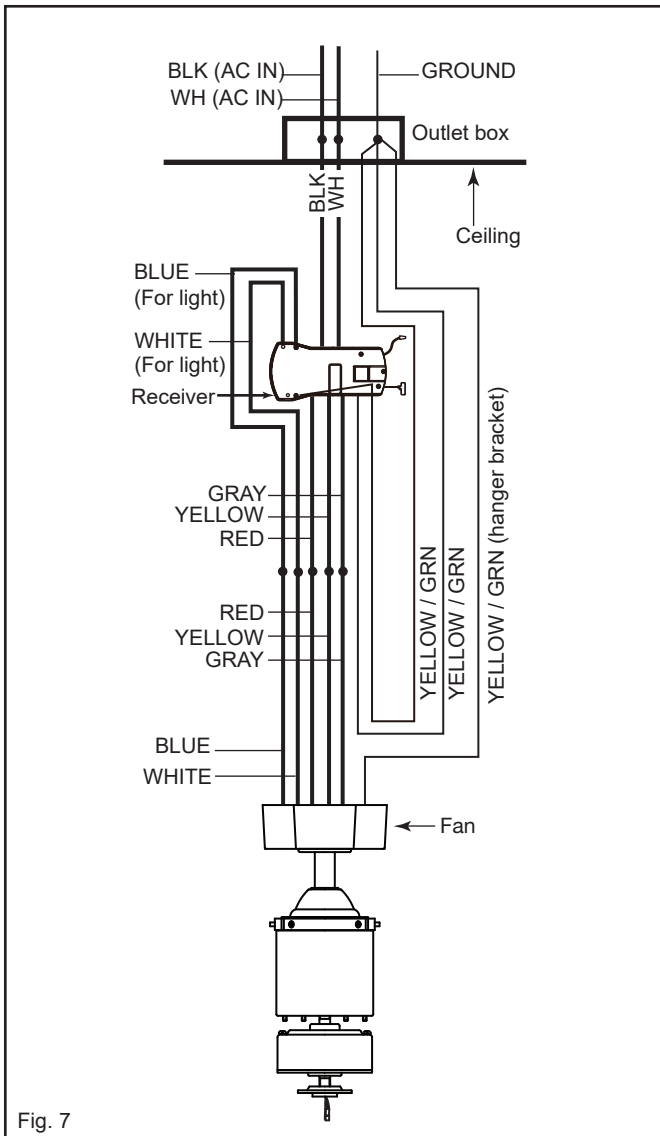
Step 6. Slip the wires from the fan motor through the yoke cover and canopy cover and canopy onto the downrod. Slide the hanger ball onto the downrod, insert the cross pin through the downrod. Pull the hanger ball up so the cross pin seats in the channel in the hanger ball. Tighten the set screw. (Fig. 5)



Step 1. Attach the wood screw and the flat washer to the ceiling joist as shown (do not fully tighten). Slide the cable clamp onto the safety cable from the fan. Loop the safety cable around the wood screw that was just attached to ceiling joist. Feed the end of the cable into the clamp and pull as much cable through as possible. Firmly tighten screw in the clamp. Cut off excess cable and tighten the wood screw to ceiling joist. (Fig.6)

ELECTRICAL CONNECTIONS

WARNINGS: Check to see that all connections are tight, including ground, and that no bare wire is visible at the wire nuts, except for the ground wire.



Step 1. Insert the receiver into the mounting bracket.

Step 2. Make wire connections from the fan to the receiver unit. For this step use the bundle of 5 wires on the receiver. (Fig.7)

- Connect the YELLOW fan wire to the YELLOW receiver wire.
- Connect the GRAY fan wire to the GRAY receiver wire.
- Connect the RED fan neutral wire to the RED receiver neutral wire.
- Connect the WHITE neutral light kit lead from the fan to WHITE receiver lead marked "For Light".
- Connect the BLUE light kit lead from the fan to BLUE receiver lead marked "For Light".

Wire colors out of the fan are blue/white for the light kit. Light kit leads from the controller/receiver are blue/white.

Step 3. Connect the supply wires from the ceiling to the receiver unit. (Use the 2 wire bundle on the receiver) Secure with supplied wire nuts.

- Connect the BLACK building supply wire to the BLACK receiver wire.
- Connect the WHITE receiver neutral wire to the WHITE building neutral wire.
- Connect the COPPER building ground wire to the 4 YELLOW/ GREEN ground wires from the fan and receiver.

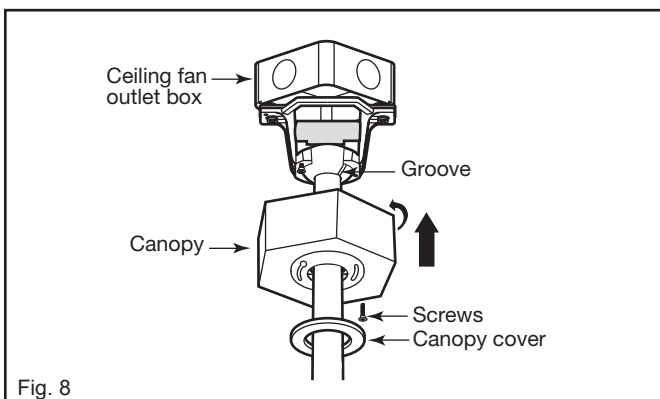
FINISHING THE INSTALLATION

Step 1. Tuck connections neatly into ceiling outlet box. (Fig. 8)

Step 2. Remove one canopy screw on the bracket and slide the canopy up to mounting bracket and place the key hole on screw on the mounting bracket aligning the key slot in the canopy with the canopy screw in the hanger bracket, turn canopy until it locks in place at the narrow section of the key holes.

Step 3. Align the remaining circular slot in the canopy with the threaded hole in the hanger bracket. Install canopy screw loosely. Rotate the canopy in the slots to align the points of the canopy with points of the fan housing. Securely tighten both canopy screws.

Step 4. Assemble the canopy cover by aligning the two key slots on the top side of the canopy cover with the two canopy screws. Twist to lock into place.



Referring to Facet fan installation instruction for other ceiling fan installing procedure.